



HOMOLOGATION AND TECHNICAL SPECIFICATION UPDATE BULLETIN

HOMOLOGATION	PRD GALAXY	HOMOLOGATION NO.	100H
BULLETIN NO.	100H-4	BULLETIN DATE	26 March 2019
SUBJECT	PRD GALAXY CYLINDER HEAD		

The information and specifications contained in this Homologation and Technical Specification Update Bulletin are to be read in conjunction with and form part of the homologation detailed herein.

Homologation Document Reference

Page [12.]

PRD GALAXY CYLINDER HEAD

EXPLANATORY NOTES SUPPLIED BY THE MANUFACTURER.

The engine manufacturer has made a modification to the cylinder head on the Galaxy engine.

They have advised that the modifications are not performance enhancing.

They have advised that the change has been made to better direct the water around the cylinder and up the front of the cylinder head to improve the cooling of the engine and create more consistent temperature around the cylinder and piston.

The updated cylinder head will be included on all new PRD Galaxy engines.

Details Of Modifications

PRD Galaxy engines will now be supplied with a minor change to the water jacket in the cylinder head.

The change removes the water passage holes placed left and right of the cylinder head. The rear air bleed hole has been changed to two smaller holes.

The updated cylinder head provides only minor improvement to temperature consistency of the cylinder and piston.

As the change is minor there is no need for existing customers to upgrade to this head.

Either specifications of the cylinder head are permitted to be used in competition.

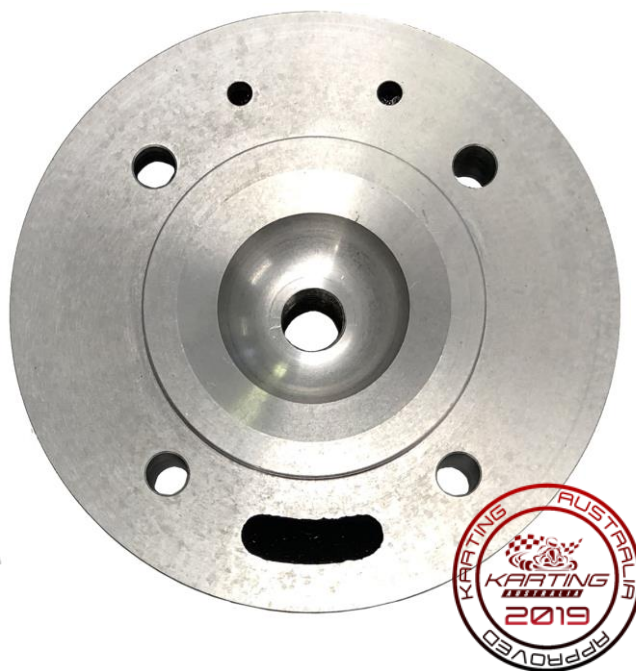
Cylinder Head Tension Settings

The cylinder head should be tensioned at 130-inch pounds using a tension wrench. Incorrect tensioning of the cylinder head will cause damage to the head and possible damage to the motor.

SPEC 1 CYLINDER HEAD

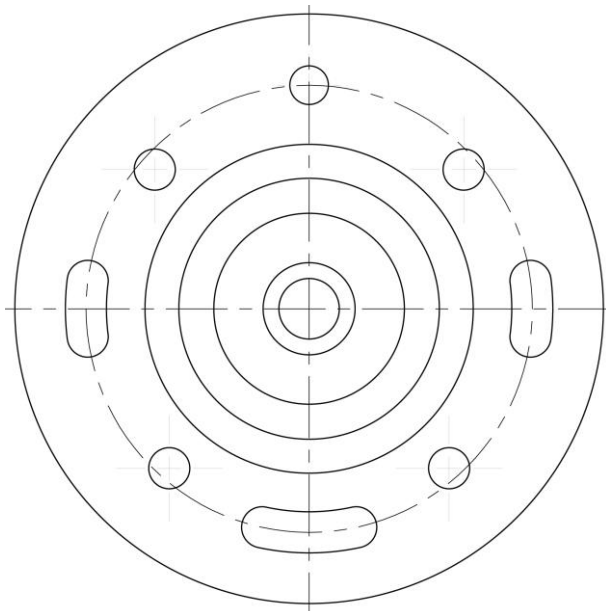


SPEC 2 CYLINDER HEAD

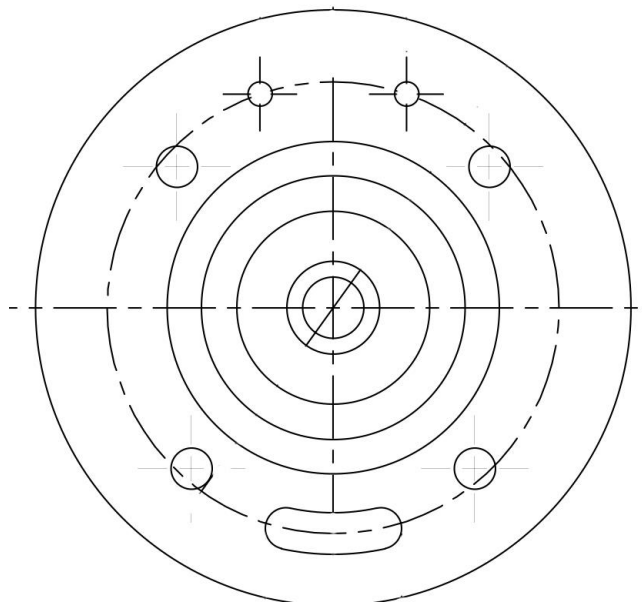


DRAWING

SPEC 1 CYLINDER HEAD



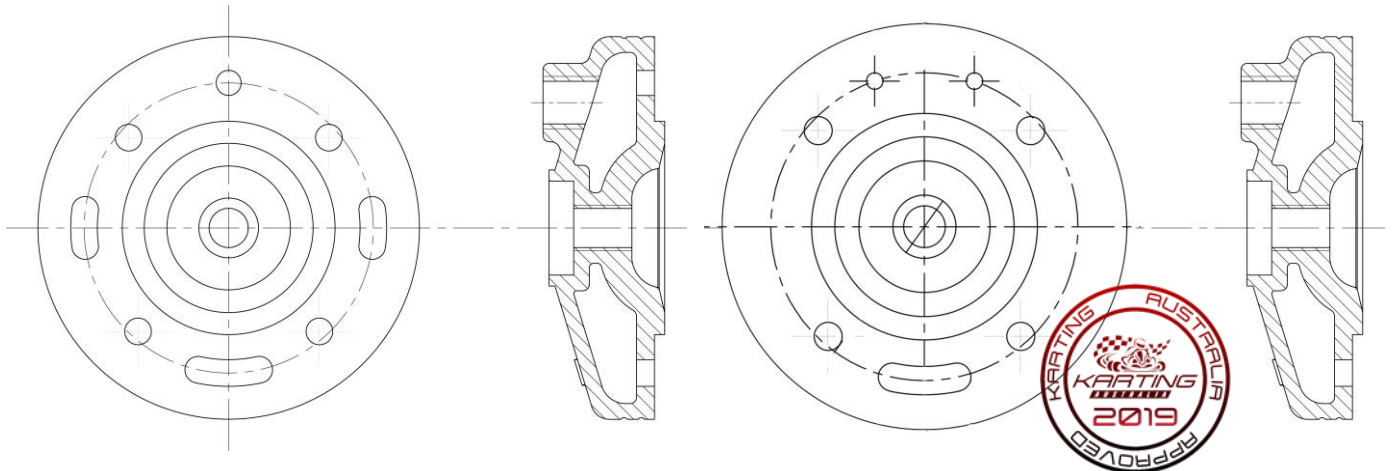
SPEC 2 CYLINDER HEAD



DRAWING

SPEC 1 CYLINDER HEAD

SPEC 2 CYLINDER HEAD



EXTERNAL PHOTO

SPEC 1 CYLINDER HEAD

SPEC 2 CYLINDER HEAD

