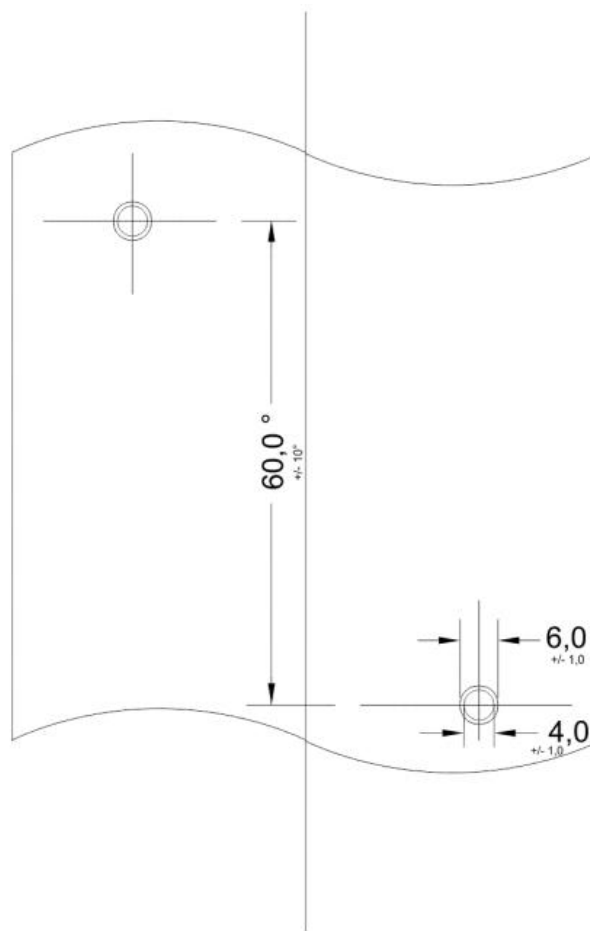


TYRE SPECIFICATIONS

2022-2026 AUSTRALIAN KARTING ASSOCIATION LTD. (Karting Australia)

<i>Tyre Manufacturer</i>	LeCont srl
<i>Tyre Supplier</i>	Kingarth Pty Ltd
<i>Make</i>	LeCont
<i>Model</i>	SVC CIK Prime 10x4.50-5
<i>Competition Group / Class/es</i>	Group 2B
<i>Number of pages</i>	4
<i>Number of appended pages</i>	4



TREAD DESIGN DRAWING

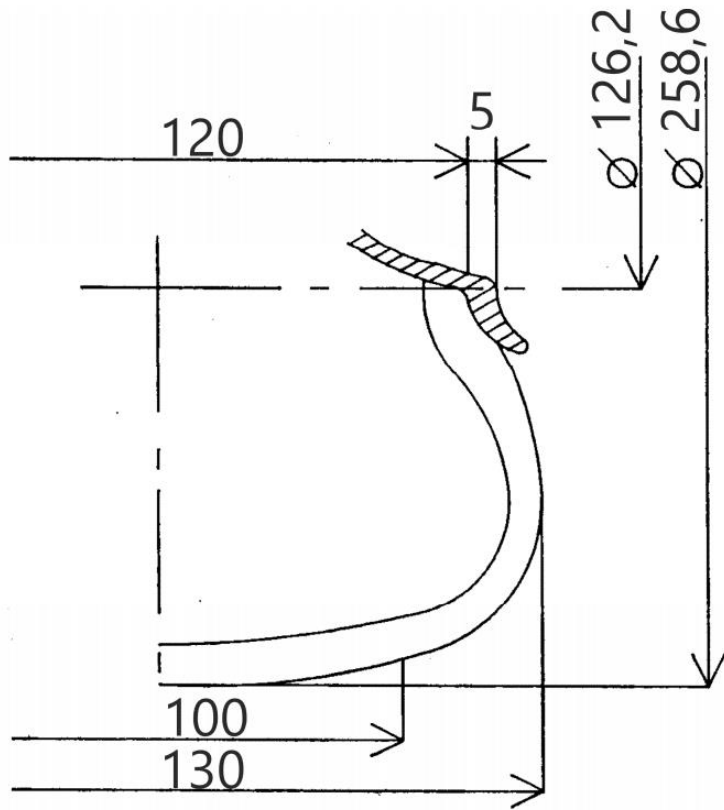
TECHNICAL DESCRIPTIONS

At a temperature of 23°C +/- 2°C and with a humidity of 50% +/-5%

Pt	Descriptions	Value		Tolerances
1	Dimensions	10x4.50-5		-
2	Tread compound designation	SVC		-
3	Service pressure	0.7 bar		+/- 0,3 bar
4	Maximum inflation pressure	4.0 bar		Max
5	Recommended Inflation pressure	-----		
6	Maximum load capacity	80 kg		Max
7	Maximum speed	200 km/h		Max
8	Depth of tread	3.6 mm		+/- 0,5 mm
9	Weight in grams	1100 gr		+/- 10 %
10	Numbers of ply	2		-
11	Tread thickness	4.6 mm		+/- 1,0 mm
12	Number of tread wear indicators	6		-
13	Carcass material	Polyester		-
14	Angle of tyre canvass	31°		+/- 3°
15	Canvass thread type (According to ISO)	1670		-
16	Tubeless tyre	Yes		-
17	Superficial tread hardness (ISO 48 :2010 – 2 samples of 2mm thickness)	46.0		+/- 5 DIDC - IRHD
18	Shore hardness (ISO norm)	53.0		+/- 5
19	IRHD hardness	46.0		+/- 5
20	Classification (According to ISO 37:2005 – 300%) (DELETE OR ADJUST THOSE NOT APPROPRIATE)	SOFT	MEDIUM	HARD

B

DRAWING OF CROSS SECTION AND DIMENSIONS OF TYRE FITTED TO A RIM

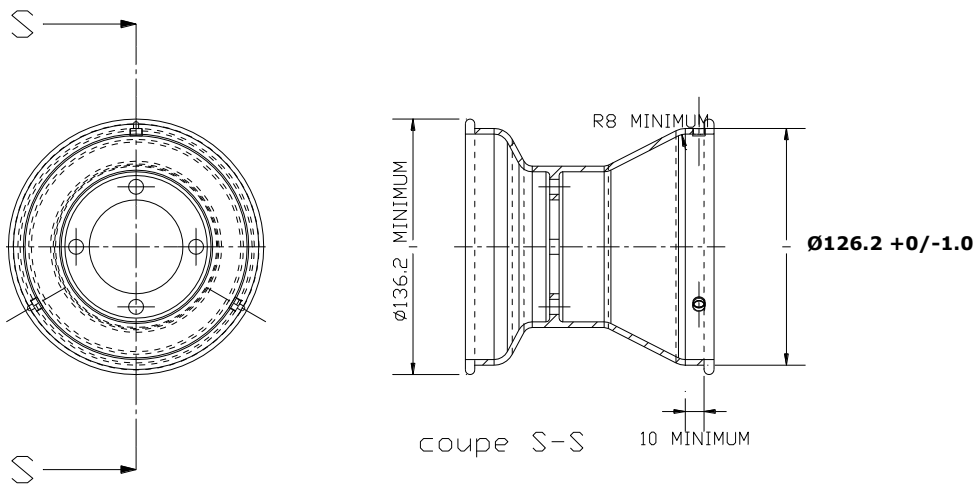


Dimensions / Tolerances	
Ø 258.6	+/- 6.0 mm
Ø 126.2 *	+0/- 1.0 mm
120.0 mm	+/- 2.0 mm
130.0 mm	+/- 6.0 mm
100.0 mm	+/- 5.0 mm

Comments

(*) Dimension according to the CIK-FIA technical Drawing n° 4 – standardized 5" rim

Standardised 5" rim

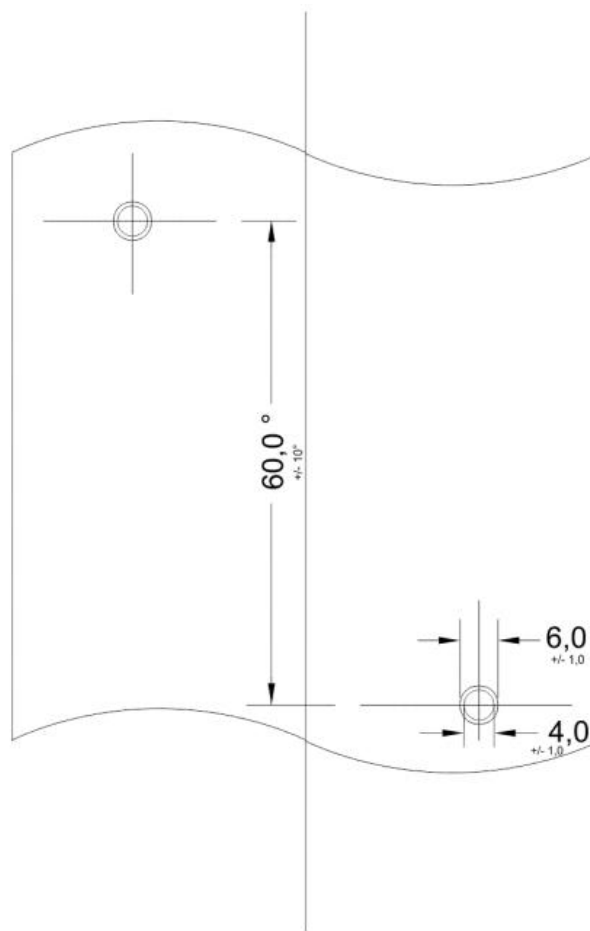


C	PHOTOS AND INSCRIPTIONS	Only inscriptions which will not change during production are mentioned below.		
<i>Photo of tyre external side wall</i>		<i>Inscriptions on tyre external side wall</i>		
		Text	Height (mm)	Stroke (mm)
				
		Barcode		
		FOR RACING PURPOSE ONLY		
		MAX INFLATION PRESSURE 4.0 BAR – 58 PSI TUBELESS	4,5	0,8
<i>Photo of tyre internal side wall</i>		<i>Inscriptions on tyre internal side wall</i>		
		Text	Height (mm)	Stroke (mm)
			18-10	3,5-2,5
		Barcode		
		FOR RACING PURPOSE ONLY		
		MAX INFLATION PRESSURE		
		4.0 BAR – 58 PSI TUBELESS	4,5	0,8
		10x4.50-5	8,0	1,5
		SVC	8,0	1,0
		CIK	5,0	2,0
		PRIME	8,0	1,0

TYRE SPECIFICATIONS

2022-2026 AUSTRALIAN KARTING ASSOCIATION LTD. (Karting Australia)

<i>Tyre Manufacturer</i>	LeCont srl
<i>Tyre Supplier</i>	Kingarth Pty Ltd
<i>Make</i>	LeCont
<i>Model</i>	SVC CIK Prime 11x7.10-5
<i>Competition Group / Class/es</i>	Group 2B
<i>Number of pages</i>	4
<i>Number of appended pages</i>	4



TREAD DESIGN DRAWING

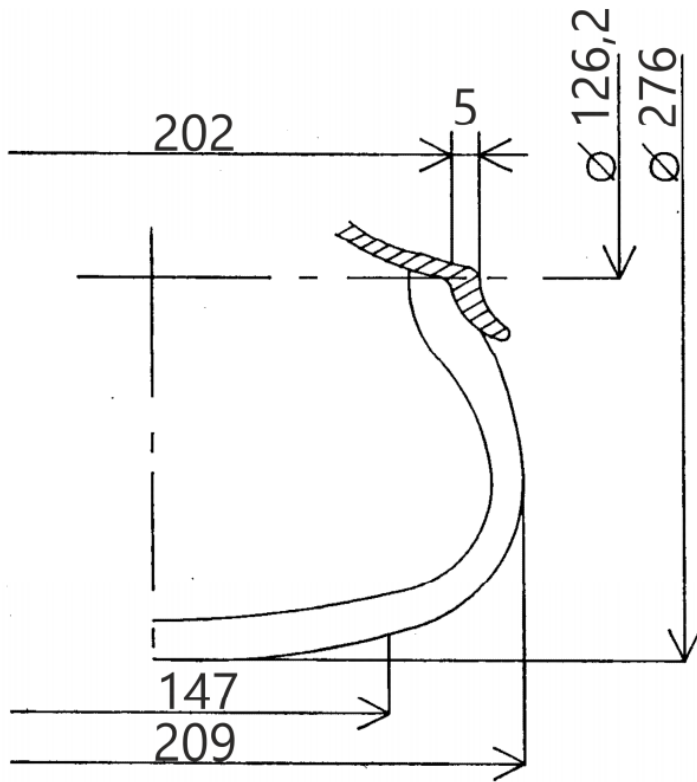
TECHNICAL DESCRIPTIONS

At a temperature of 23°C +/- 2°C and with a humidity of 50% +/-5%

Pt	Descriptions	Value		Tolerances
1	Dimensions	11x7.10-5		-
2	Tread compound designation	SVC		-
3	Service pressure	0.7 bar		+/- 0,3 bar
4	Maximum inflation pressure	4.0 bar		Max
5	Recommended Inflation pressure	-----		
6	Maximum load capacity	100 kg		Max
7	Maximum speed	200 km/h		Max
8	Depth of tread	4.0 mm		+/- 0,5 mm
9	Weight in grams	1650 gr		+/- 10 %
10	Numbers of ply	2		-
11	Tread thickness	5.0 mm		+/- 1,0 mm
12	Number of tread wear indicators	6		-
13	Carcass material	Polyester		-
14	Angle of tyre canvass	30°		+/- 3°
15	Canvass thread type (According to ISO)	1670		-
16	Tubeless tyre	Yes		-
17	Superficial tread hardness (ISO 48 :2010 – 2 samples of 2mm thickness)	45.9		+/- 5 DIDC - IRHD
18	Shore hardness (ISO norm)	53.0		+/- 5
19	IRHD hardness	45.9		+/- 5
20	Classification (According to ISO 37:2005 – 300%) (DELETE OR ADJUST THOSE NOT APPROPRIATE)	SOFT	MEDIUM	HARD

B

DRAWING OF CROSS SECTION AND DIMENSIONS OF TYRE FITTED TO A RIM

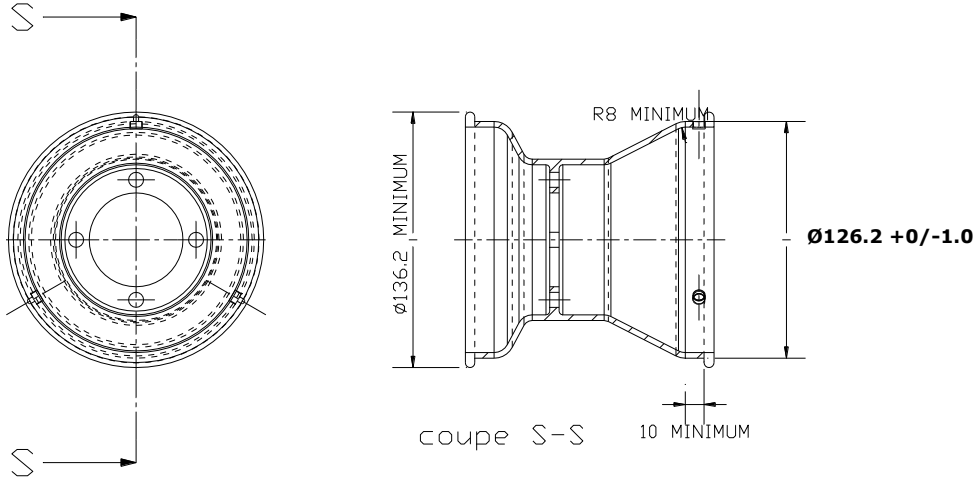


Dimensions / Tolerances	
Ø 276.0	+/- 6.0 mm
Ø 126.2 *	+0/- 1.0 mm
201.0 mm	+/- 2.0 mm
209.0 mm	+/- 6.0 mm
147.0 mm	+/- 5.0 mm

Comments

(*) Dimension according to the CIK-FIA technical Drawing n° 4 – standardized 5" rim

Standardised 5" rim



C	PHOTOS AND INSCRIPTIONS	Only inscriptions which will not change during production are mentioned below.		
<i>Photo of tyre external side wall</i>		<i>Inscriptions on tyre external side wall</i>		
		Text	Height (mm)	Stroke (mm)
				
		Barcode		
		FOR RACING PURPOSE ONLY		
		MAX INFLATION PRESSURE 4.0 BAR – 58 PSI TUBELESS	4,5	0,8
<i>Photo of tyre internal side wall</i>		<i>Inscriptions on tyre internal side wall</i>		
		Text	Height (mm)	Stroke (mm)
			18-10	3,5-2,5
		Barcode		
		FOR RACING PURPOSE ONLY		
		MAX INFLATION PRESSURE		
		4.0 BAR – 58 PSI TUBELESS	4,5	0,8
		10x4.50-5	8,0	1,5
		SVC	8,0	1,0
		CIK	5,0	2,0
		PRIME	8,0	1,0