

UPDATE 4 - 27/10/2022



KARTING

A U S T R A L I A



2022 Australian Karting Manual
NATIONAL COMPETITION RULES



Motorsport insurance solutions to get you across the finish line

As motorsport insurance specialists, our team have both the skills and experience to identify and address risks that are uniquely associated with all motorsport.

Our motorsport program is able to provide cover to all things motorsport. Whether it's facilities, engineering, manufacturing, parts importing, race team mechanical support, events management or covering your karts or equipment anywhere in Australia, we can help you face your future with confidence.

Find out more.

Get in touch with the Gallagher Motorsport team

Terry Berryman | 07 3367 5010 | sport@ajg.com.au



Gallagher

Insurance | Risk Management | Consulting

sport.ajg.com.au



INVERTER GENERATORS

SUPER QUIET

ABLE TO RUN CARAVAN AIR CONDITIONING UNITS

PURE SINE WAVE

LOW RUNNING NOISE

Equivalent to the average sound at home and having a conversation

POWERFUL, COMPACT AND WITH A SUPER QUIET RUNNING NOISE, THE RANGE OF SP INVERTER GENERATORS ARE IDEAL FOR ALL CAMPING AND LEISURE ACTIVITIES.

INVERTER GENERATOR FEATURES:

- Torini 4 Stroke Engine
- 3 in 1 Multi-function Control
- Engine Smart Control (ESC)
- 32 bit Inverter Core
- 12 Volt Outlet
- Low Running Noise: Max 65dB
- Parallel Connection Capable



SPGI3300E



SPGI2000
SPGI3000

ECO FRIENDLY

1800W

4 LITRE TANK

PULL START

SPGI2000

1X 15A OUTLETS

2500W

4 LITRE TANK

PULL START

SPGI3000

2X 15A OUTLETS

3300W

10 LITRE TANK

ELECTRIC START

SPGI3300E

2X 15A OUTLETS

COMPRESSOR

2HP AIR COMPRESSOR TRADE DUTY PORTABLE UTE PACK

SP11-12X

- Built tough & compact - Ideal for mobile applications - Fits under Tonneau style ute lids
- Full brass non-return valve
- Copper delivery pipe
- 200mm (8") solid rubber wheels
- One-touch (Nitto style) connector

2.0 HP

10 AMP

10 LITRE TANK

126L/MIN FAD

865(L) x 400(W) x 518(H)mm

LOW PROFILE

COMPACT

BUILT TOUGH

DIRECT DRIVE

PORTABLE



3 YEAR PUMP WARRANTY

FOR FULL PRODUCT DETAILS ON THE SP TOOLS RANGE, VISIT

SPTOOLS.COM



LECONT

Official Karting Australia Competition Tyres 2022 - 2026

ARE YOU READY?

patrizicorse.com
KARTINGONLINE

LH03-AUS

\$265



*Specifically designed to suit
Australian conditions.
Selected for the Junior
and mid-performance
Senior classes.*



Proudly distributed by Patrizicorse.
Available through all reputable karting retailers.
All prices are RRP including GST and excluding freight.



KA Manual 55th Edition

Previous editions of this Manual have been published annually since 1966. This Manual is published with the full authority of the Australian Karting Association Ltd following the passing of the following resolution at a properly constituted meeting of the Board on 30th November 2021.

“That the National Competition Rules as submitted to the Board be and are approved as the National Competition Rules of the KA as and from the first day of January, 2022. All previous Competition Rules in use in Australia, to the extent that such Rules conflict with the Rules presently submitted, being thereby superseded from that date.”

A dynamic version of the 2022 KA Manual containing any changes to the Rules approved by the Board of KA Ltd from time to time will be maintained as current on the KA website. It will have full regulatory value and effect.

Junior **SPROCKETS** KARTING AUSTRALIA

PROUDLY SUPPORTED BY



REGISTER YOUR INTEREST AT www.karting.net.au

www.karting.net.au



KARTING
AUSTRALIA



ST GEORGE KARTS

Celebrating **60** *of karting*
YEARS



St George Kart Centre Wholesale Pty Ltd

8 / 244 Horsley Rd, Milperra, NSW 2214
Sydney, Australia

www.sgkarts.com Ph (+61) 2 9773 8677 Fax (+61) 2 9773 8344

COPYRIGHT NOTICE AND CONDITIONS OF USE

GUIDING PRINCIPLES OF THE AUSTRALIAN KARTING ASSOCIATION LTD. ("Karting Australia" or "KA")

The Board Of Directors AKA Ltd	10
Executive Commission	10
State Karting Associations – Presidents, Secretaries	11
National Office	13
State Offices	13
Appointed National Officials & Coordinators	17
Appeal Courts	17
Definitions	21
Administrative Procedures	27

GENERAL RULES **37**

CHAPTER 1	Standing Regulations	38
CHAPTER 2	Fees	47
CHAPTER 3	Insurance	48
CHAPTER 4	Circuit, Track and General Safety Requirements	49
CHAPTER 5	Competitions in General	55
CHAPTER 6	Emergency, Medical Services and Injury Reporting	56
CHAPTER 7	Officials and their Duties	57
CHAPTER 8	Offences	68
CHAPTER 9	Penalties	71
CHAPTER 10	Infringement Notice	82
CHAPTER 11	Stewards Hearings	84
CHAPTER 12	Protests	87
CHAPTER 13	Tribunals	90
CHAPTER 14	Appeals	98
CHAPTER 15	Communicable Diseases	102

COMPETITION RULES **109**

CHAPTER 1	General Competition Rules	110
CHAPTER 2	Flag / Light Signals	125
CHAPTER 3	Code of Driving Conduct on Karting Circuits	129
CHAPTER 4	Competition Licences	133
CHAPTER 5	Competition Levels & Structure	150

TECHNICAL RULES **169**

CHAPTER 1	Australian Kart Formula	170
CHAPTER 2	Homologation Procedures	189
CHAPTER 3	Fuel	190
CHAPTER 4	Tyres	192

TECHNICAL RULES

CHAPTER 5	Noise Control	194
CHAPTER 6	Scrutineering and Technical Conformity	197
CHAPTER 7	Apparel	201

CLASS RULES **217**

CHAPTER 1	Cadet 9	218
CHAPTER 2	MicroMax	222
CHAPTER 3	Cadet 12	224
CHAPTER 4	MiniMax	227
CHAPTER 5	KA4	229
CHAPTER 6	KA3	232
CHAPTER 7	Junior Performance	235
CHAPTER 8	Junior Max	238
CHAPTER 9	KA2	240
CHAPTER 10	IAME X30	243
CHAPTER 11	Rotax 125	246
CHAPTER 12	TaG 125 Restricted	249
CHAPTER 13	TaG 125	253
CHAPTER 14	DD2	257
CHAPTER 15	Vortex ROK GP	260
CHAPTER 16	KZ2	263
CHAPTER 17	Open Performance	266
CHAPTER 18	Gearbox	269
CHAPTER 19	Yamaha	272
CHAPTER 20	Vintage Karting	276
CHAPTER 21	4SS (4 Stroke Sprint) Karting	281
CHAPTER 22	4SS Super	286
CHAPTER 23	4SE (4 Stroke Endurance) Karting	291
CHAPTER 24	Dirt Track Karting	302

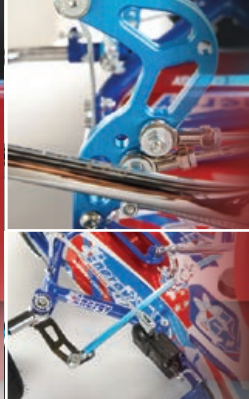
APPENDICES 305

APPENDIX-1	Organised Social Karting Activity	305
APPENDIX-2	Teams Competition Guidelines	308
APPENDIX-3	Private Practice Rules	313
APPENDIX-4	Introduction to Karting	315
APPENDIX-5	Dealer Trade Rules	319
APPENDIX-6	State Trophy - 4SS	321
APPENDIX-7	Karting Australia Policies as at 1 January 2022	323

Life Members 325

Past National Executive Members 326

INDEX 328



WINNING ENERGY

CALL: 0439 665 797

EMAIL: sales@energy-corse.com.au

www.energy-corse.com.au





KART TRAILER TOOL KIT 134 PIECE

SP50097

668(W) x 316(D) x 461(H)

- 1/4", 3/8" & 1/2" Dr sockets & accessories
- Quad Drive ROE spanners
- Screwdrivers, hex keys, shifter, hammer, pliers & cutters
- + MUCH MORE

STEEL FRAME
EVA TOOL STORAGE

INCLUDES

**QUAD DRIVE
SPANNERS**



SLIDING T-HANDLE KEY SET - METRIC 8 PIECE

SP34710



- T-Handle design with hex key fittings on all three ends
- Sliding cross bars with multiple locking positions
- SIZES: 2.5, 3, 4, 5, 6, 7, 8 & 10mm



**3 SIDED HEX
ENDS**

**FULL STEEL
DESIGN**

GENERAL KART MAINTENANCE TOOL KIT

SP11-12X

- Geardrive & Combination Spanners
- 3/8" Dr Sockets & Accessories
- Pliers & Diagonal Cutters
- Snap Ring Plier Set
- T-Handle Hex Keys
- Screwdrivers
- Hammer
- Tyre Pressure Gauge
- Valve Core Tool
- 5 Tray Race Technician Box



AVAILABLE THROUGH:

TORINI.COM.AU



CONTACT

All correspondence to KA Directors:
c/- Karting Australia National Office
PO Box 1297,
OXENFORD Qld 4210
Telephone: 07 5655 4340
Email: admin@karting.net.au

KA's Policies can be located at
www.karting.net.au

DIRECTORS

Kevin Davis - Chairman

John Reynolds

Robert Crawford

Nathan Murray

Andrew Westacott

Samantha Reid

Garth Tander

Ross Mallett - Company Secretary

Kelvin O'Reilly - Chief Executive Officer

EXECUTIVE COMMISSION

New South Wales

Robert Motbey

Victoria

Russell White

Western Australia

Gary Light

South Australia

Ian Watson

Queensland

Michelle Rowe

Tasmania

Dale Sherburd

Northern Territory

Jason Webster



**Karting Australia is a founding member
of the Australian Motorsport Council**

STATE KARTING ASSOCIATIONS (SKA)

PRESIDENTS / CHAIRMAN

All correspondence to SKA Presidents should be directed to the relevant KA State Office location.

Karting Australia New South Wales

Robert Motbey
Email: president@kansw.com.au

Karting Western Australia

Gary Light
Email: secretary@kartingwa.com.au

Karting Queensland

Michelle Rowe
Email: president@kartingqld.com.au

Karting Northern Territory

Jason Webster
Email: secretary@kartingnt.com.au

Karting Victoria

Russell White
Email: vka@bigpond.net.au

Karting South Australia

Ian Watson
Email: president@kartingsa.com.au

Karting Tasmania

Dale Sherburd
Email: info@kartingtas.net.au

SECRETARIES / ADMINISTRATORS

All correspondence to SKA Secretaries / Administrators should be directed to the relevant KA State Office location.

Karting Australia New South Wales

John Martin (Administrator)
Mobile: 0401 346 152
Email: : admin@kansw.com.au

Karting Victoria

Pam Arnett
Phone: 1300 30 5278
Email: vka@bigpond.net.au

Karting Western Australia

Michelle Lino
Mobile: 0418 921 200
Email: secretary@kartingwa.com.au

Karting South Australia

Rob Burgemeister
Mobile: 0499 222 060
Email: secretary@kartingsa.com.au

Karting Queensland

Annette English (Administrator)
Mobile: 0409 945 928
Email: admin@kartingqld.com.au

Karting Tasmania

Margie Bricknell
Mobile: 0460 312 880
Email: info@kartingtas.net.au

Karting Northern Territory

Jenny Taylor
Mobile: 0407 615 666
Email: secretary@kartingnt.com.au

NATIONAL OFFICE

Unit 6, 27 Ford Rd, COOMERA, Qld 4209

PO Box 1297, OXFENFORD Qld 4210

Telephone: 07 5655 4340

Website: www.karting.net.au

E-mail: admin@karting.net.au

Chief Executive Officer: Kelvin O'Reilly

STATE OFFICES

New South Wales

Karting Australia (NSW)

PO Box 5, Bonville NSW 2450

Licencing: 1300 30 KART (1300 305 278)

Mobile: 0401 346 152

Email: admin@kansw.com.au

Website: www.kansw.com.au

Western Australia

Karting WA

285 Tapper Road ATWELL WA 6164

Licencing: 1300 30 KART (1300 305 278)

Mobile: 0418 921 200

Email: secretary@kartingwa.com.au

Website: www.kartingwa.com.au

Queensland

Karting QLD

PO Box 3669, Tannum Sands Qld 4680

Licencing: 1300 30 KART (1300 305 278)

Mobile: 0409 945 928

Email: admin@kartingqld.com.au

Website: www.kartingqld.com.au

Northern Territory

Karting NT

PO Box 41054, Casuarina NT 0811

Licencing: 1300 30 KART (1300 305 278)

Mobile: 0407 615 666

Email: secretary@kartingnt.com.au

Website: www.kartingnt.com.au

Victoria

Karting Victoria

Maiden Gully Post Office

Maiden Gully, VIC 3551

Licencing: 1300 30 KART (1300 305 278)

Phone: 1300 30 5278

Email: vka@bigpond.net.au

Website: www.kartingvic.net.au

South Australia

Karting South Australia

PO Box 308, Walkerville SA 5081

Licencing: 1300 30 KART (1300 305 278)

Telephone: 0499 222 060

Email: secretary@kartingsa.com.au

Website: www.kartingsa.com.au

Tasmania

Karting Tasmania

PO Box 6, Don, Tasmania 7310

Licencing: 1300 30 KART (1300 305 278)

Mobile: 0460 312 880

Email: info@kartingtas.net.au

Website: www.kartingtas.net.au

 **KARTING**
AUSTRALIA

ULTIMATE
CLUB

4 RACER



KARTING
AUSTRALIA



MINI ROK

Cadet 9
Cadet 12



ROK DVS-J

KA2



PASSION MEETS PERFORMANCE

RTZ KZ2

This model was created by rigorously following the basis distinguishing Vortex products: production quality, machining refinement and innovation. The RSZ is provided with a strongly developed crankcase, machined by CNC and able to achieve even higher quality standards.



AUSTRALIAN
KZ2 CHAMPIONS

WORLD
KZ CHAMPIONS



2019



2020



2021



2021

patrizicorse.com
KARTINGONLINE

MAXXIS®

TYRES



RACE **MORE** WITH **MAXXIS**

APPOINTED NATIONAL OFFICIALS & COORDINATORS

FIA Karting Delegate

Craig Denton

Email: cikdelegate@karting.net.au

National Stewards Panel

Mark Horsley: Co-Chair

John Wishart: Co-Chair

Karen Arnett: Co-Chair

Email: admin@karting.net.au

National Technical Commissioner

Ashley Woolner

Email: technicalcommissioner@karting.net.au

National Officials Coordinator

Mark Horsley

Mobile: 0417 062 282

Email: officialscoordinator@karting.net.au

National Medical Officer

Dr Brent May FANZCA MBBS PG Cert US

Mobile: 0413 267 399

National Prosecutor

Mark Horsley

Mobile: 0417 062 282

Email: prosecutor@karting.net.au

Safety Delegate

Craig Denton

National Circuit Inspector

Tony Manson

National Tribunal Registrar

Amanda Doyle

Email: Discipline@karting.net.au

Deputy National Technical Commissioner

Shaune English

Deputy National Officials Coordinator

Karen Arnett

APPEAL COURTS

Australian Motor Sport Appeal Court (AMSAC)

The Secretary

PO Box 172 Canterbury LPO, VIC 3126

APPEAL TRIBUNAL

National Tribunals

KA Appeal Tribunal Secretary

PO Box 1297

OXENFORD Qld 4210

Email: Discipline@karting.net.au

State Tribunals

KA Appeal Tribunal Secretary

Addressed to the host State Office Location
as indicated in the Rules

IMPORTANT COPYRIGHT NOTICE AND CONDITIONS OF USE

Karting Australia invests substantial time and resources in developing, reviewing and updating the Karting Manual and National Competition Rules every year.

KA has become aware that in recent years other organisations have adopted parts of the Karting Manual and National Competition Rules for events not sanctioned by KA and without contributing in any way to the ongoing cost and responsibility for their ongoing development and updating.

For this reason the following conditions of use will apply to the 2022 Edition of the Karting Manual and National Competition Rules and all subsequent editions, releases and updates of them.

KA expressly reserves its rights to take immediate legal action against any person who infringes or authorises the infringement of its copyright or other intellectual property rights by using or authorising the use of the Karting Manual and National Competition Rules other than in strict compliance with the following conditions:

1. The Australian Karting Association Ltd ACN 160 100 265 (AKA) trading as Karting Australia is the owner of the copyright and all other intellectual property rights in the Karting Manual and National Competition Rules. KA is the owner of the KA Trade Marks (whether registered or unregistered).
2. KA authorises the purchaser (and only the purchaser) of an authorised copy of the Karting Manual including National Competition Rules to reproduce, communicate to the public or make an adaptation of those documents only for the purpose of planning, conducting or competing in a motor sport event sanctioned (or to be sanctioned) by KA. The holder of a current Driver's Licence issued by KA is deemed to have purchased an authorised copy of the Karting Manual and National Competition Rules which from 1 January 2022, will be provided to the Licence Holder by way of digital download.
3. KA authorises the downloading and reproduction of a copy of the whole or any part of the Karting Manual including National Competition Rules only from KA's website at www.karting.net.au and only for the purpose of planning, conducting or competing in a motor sport event sanctioned (or to be sanctioned) by KA.
4. Any reproduction, adaptation, communication to the public or any other act comprised in the copyright in the Karting Manual or National Competition Rules for any purpose in respect of any karting event not sanctioned (or to be sanctioned) by KA is expressly prohibited unless previously authorised in writing by KA's CEO.
5. KA expressly prohibits any use of its Trade Marks for any purpose unless previously authorised in writing by KA or permitted by law.
6. KA may vary these conditions of use at any time by posting a copy of the varied conditions of use to its website at www.karting.net.au and such varied conditions of use will apply to any documents downloaded from the website after such a notice is posted or any reproduction, adaptation or communication of a printed document made after that time.
7. You should check the current conditions of use at KA's website at www.karting.net.au prior to each occasion of making any reproduction, adaptation or communication of the whole or any part of the Karting Manual or National Competition Rules.

GUIDING PRINCIPLES OF THE AUSTRALIAN KARTING ASSOCIATION

Karting Australia is the governing body for the sport of Karting in Australia.

The power and authority to organise and control the sport within Australia has been delegated to KA by the Federation Internationale de 'l Automobile (FIA) through Motorsport Australia.

Our vision is to be a first class leader in Australian motorsport and the sport of karting at all levels. Our vision is for Australian Karting to be recognised as a destination sport and the starting point of local, state, national and international motor racing with a community of karting clubs that provide motorsport activities that are enduring, inclusive, well organised, safe, exciting, fun and family friendly for people of all ages.

Our mission is to lead, govern, promote and grow the sport of karting in Australia following the values of leadership, enjoyable and fun sporting competition, safety, integrity, and achievement, excited and engaged members and with a positive and collaborative culture.

The Board of KA hold as an imperative that our sporting competitions should be safe, fun, fair, well run, and provide the best value for money that is achievable, in a quality environment where people can participate for the simple enjoyment of sport and to be able to strive for success at elite levels. Karting in Australia is both a destination sport and a pathway sport that prepares our participants for higher and more professional levels of motorsport. We provide racing for all ages.

Sound principles of Board governance, administrative responsibility, decision making for a fit and proper purpose at National, State and Club levels, respectful, fairness and transparency in officiating and the conduct of the sport at all levels are matters that should not be taken lightly as to do so will alienate those who have a right and a desire to compete in Karting on a level playing field.

At all times the sport of Karting should have as its primary objective the achievement of the following functions and responsibilities:

- Increased participation in the sport through the development and implementation of proactive sport, club, community and member development programs;
- Implement a deliberate strategy to develop a consistent national regulatory regime across all areas of activity which facilitates participation in any state without any additional requirements;
- Establish and foster partnerships with key stakeholders for the betterment of the sport of Karting;
- Focus on increasing equity and diversity within the sport and organisation, including but not limited to youth, women, disabled, indigenous and culturally diverse groups;
- Contribute to the development of a National Infrastructure and Facilities Strategy to ensure the sport has access to facilities and venues of an appropriate standard into the future;
- Proactively engage with and contribute to the aims and objectives of KA as contained within the KA Strategic Plan.

Including National Competition Rules for 2022

Official Publication of the Australian Karting Association Ltd

Unless stated otherwise herein, all references to the "KA", "AKA" and "Karting Australia" in this publication refer to the Australian Karting Association Ltd (ACN 160 100 265).

Introduction

Welcome to the eighth edition of the Australian Karting Association Ltd Karting Manual. This is also the 54th edition of the Manual that has been published annually since 1966 by the Australian Karting Association Inc. On 1 September 2013 the control and management of Karting in Australia transferred from AKA Inc to a completely new management entity – AKA Ltd. While the names sound very similar the structure of the new company and our approach to the sporting side of the business and the business side of the sport are very different.

The Australian Karting Manual is an essential reference tool for all Officials, Competitors and their support teams. A dynamic version which, maintained as current, will have full regulatory value and effect will also be maintained on our web site.

It is our intention to provide stability of **Rules and** regulations and to restrict changes to the Manual to a minimum during any year. If and when any changes are made during the year, the dynamic version of the Manual will be updated with adjustments made highlighted for the convenience of all users.

In addition to the Rules contained in the Manual there are a number of policy documents, standing orders and procedures that are complementary to the Rules and that are binding upon all participants in our sport. These are available online at www.karting.net.au

This document has been compiled using the best available information. KA accepts no responsibility for any errors or omissions.

Authority

At a meeting of the Board of KA on 30 November 2021, it was resolved:

"That the National Competition Rules as submitted to the Board be and are approved as the National Competition Rules of KA as and from the first day of January, 2022. All previous Competition Rules in use in Australia, to the extent that such Rules conflict with the Rules presently submitted, being thereby superseded from that date."

Constitution

A copy of the Constitution of the Australian Karting Association Ltd can be found at www.karting.net.au" Reference to "Rules" in the Constitution shall mean these "National Competition Rules" set out in the "2022 Australian Karting Manual" including all Definitions, Administrative Procedures, General Rules, Competition Rules, Technical Rules and Class Rules including but not limited to all Homologation Documents, Technical Specifications and the International Sporting Code of the FIA.

Social Responsibility

KA is an equal opportunity organisation which values diversity. We are committed to the health, safety and general well-being of all our members and personnel. The organisation is dedicated to providing a safe environment free from bullying, harassment, discrimination and abuse for all of our members, Competitors, Officials, administrators, volunteers and supporters.

KA is committed to ensuring that everyone associated with Karting activities complies with our Policies, including but not limited to our Member Protection Policy and Code of Conduct. KA adopts, and requires our Officials and administrators to adopt, a ZERO TOLERANCE approach to bullying, harassment, discrimination and anti-social behaviour.

KA's Policies can be located at www.karting.net.au

National Competition Rules

DEFINITIONS

Addendum: A form listing further information which was not available when the Supplementary Regulations were written and to be read in conjunction with the Supplementary Regulations. These must be approved by KA or the SKA that is responsible for issuing the Supplementary Regulations prior to distribution and cannot alter the previously issued Rules except for reasons of force majeure or safety. If there is less than 7 days before a Meeting, this may be issued in the form of a Bulletin at the Meeting, signed by the Stewards and all Competitors and Drivers notified.

Advocate: Somebody who pleads the cause of another before a hearing, tribunal or court.

AKA: Australian Karting Association Ltd trading as Karting Australia

AMSAC: The Australian Motor Sport Appeal Court: the final motor sport appeal tribunal for Australian nationals.

ASN: National Sporting Authority (Autorité Sportif Nationale). A national automobile club or other national body recognised by the FIA as sole holder of sporting power in a country.

Australian Kart Formula: The specifications for Karts under the heading set out in these Rules.

Baulk Line: The Baulk Line is the limit to which the Kart may be pushed.

Board: The Board of Directors of KA whom are appointed in accordance with the Constitution.

Bulletin: Bulletins are raised to inform Drivers of any changes to the Supplementary Regulations that have been made within a 7 day time period prior to or during an Event.

These cannot change the previously issued Rules except for reasons of force majeure or safety. They must be posted on the notice board.

Carburettor Jet: A device that regulates the volume of fuel that passes beyond that point.

Chassis: Consists of the frame and components except the Tyres and engine.

CIK-FIA: (Commission Internationale de Karting) The organisation granted the power by the FIA to manage international matters concerning the sport of Karting.

Circuit: A closed Track, permanent or temporary beginning and ending at the same point, built or adapted specifically for KA sanctioned Karting activity and including but not limited to the Track, in grid and out grid, and all the reserved areas designated solely for Licence Holders.

Circuit Inspector: A person who has been appointed by an SKA or by KA and accredited and approved by KA and who has the responsibility to undertake a Circuit Inspection on behalf of KA and the SKA. For the avoidance of doubt this includes a Track Inspector.

Circuit Inspection: An inspection of the Circuit and Course undertaken by a Circuit Inspector to establish compliance with the KA 'National Circuit Construction and Safety Guide' using a Targeted Risk Assessment methodology and also establish recommendations and works programs along with verifying or approving those works programs. A Circuit Inspection will also verify the conditions and services required for the conduct of National and International competitions.

Circuit Licence: A certificate of registration of a Circuit, which has been inspected by a Circuit Inspector, stipulating the conditions under which it may be used for Kart Competitions and Karting Activities. No Competition shall be permitted on any Circuit which does not hold a Circuit Licence.

Class: A classification of Karts as determined by KA from time to time.

Club: A body organised to promote and foster the sport of Karting and which is affiliated with KA through an SKA.

Club Group: A group of Classes and/or Divisions in which Club Competition is required to take place subject to Track density limitations.

CMS: The KA Competition Management System.

Communicable Disease Direction: Means a direction, directive, order, instruction or Regulation made by the KA CEO under delegated authority from the KA Board, that is intended to achieve the objective of protecting the health and safety of Licence Holders, compliance with Government directions, instructions, recommendations and orders in Federal and State jurisdictions as may be appropriate and to assist in the mitigation and control of a Communicable Disease or Diseases.

Compete: A Competitor is deemed to have competed in a section of an Event if they have exited the out grid under direction from the grid marshal and proceeded past the Baulk Line under their own motive power, for a Competition.

Competition: A Competition is an Event in which a Kart takes part and which has a competitive nature or is given a competitive nature by the publication of results.

Competition Licence: A Competition licence is a certificate of registration issued by KA to an eligible member or body and which is necessary to enter a Competition or to participate in a Karting Activity. A Competition Licence will be issued to a Competitor and/or a Driver.

- If issued to an individual as a 12 Month Drivers Licence, it is valid:
 - o For a period of twelve (12) months from the date of issue; and
 - o Only when held in conjunction with current membership of an affiliated Club
- If issued to an individual as an 8-Day Licence, it is valid:
 - o Until 11.59pm on the eighth (8th) day after it was issued; and
 - o The person to whom it is issued will be deemed to be the holder of a current membership of the affiliated Club that is the Organiser of the Event in which that individual intends to Compete
- A Competition Licence shall entitle the holder to participate only in a Competition or a Karting Activity in accordance with the limitations attaching to the particular licence.
- The holder of a Competition Licence is deemed to know and be bound by these Rules
- A CIK-FIA international licence issued by KA or another ASN is valid for international Competitions in accordance with the ISC
- A Competition licence issued by another ASN is acceptable for Australian national Competitions as provided by any border agreement approved by the FIA
- The benefits and privileges of Competition Licence are available to the holder only at activities conducted under these Rules and opportunities offered by KA

Competitor: A person or body who holds a competitor's Competition licence acceptable to KA, which may include a Driver, and who has entered a Kart in a Competition.

Constitution: Means the constitution of the Australian Karting Association Ltd.

Control Line: A line at the crossing of which by a Kart, timing or other performance criteria are determined.

Course: A road or track, and the inherent installations, including but not limited to the Circuit, Spectators Areas and Paddock Area, used for Karting Competitions. A Course may be temporary or permanent depending on the character of its installations and its availability for competitions.

Cylinder Volume: The volume swept in cylinder or cylinders by the upward or downward movement of the piston or pistons in such cylinder or cylinders. Cylinder volume shall be expressed in cubic centimetres. For all calculations relating to the Cylinder Volume of engines the symbol π will be regarded as 3.1416.

Data Logging Equipment: Any device that can store information to be retrieved at the end of a Competition.

Disqualification: means that a person or persons may not continue to participate in a Competition. The Disqualification may be for part of a Competition (e.g. heat, final, free practice, qualifying practice sessions, Race, etc.) the whole Competition or several Competitions within the same Event, at the discretion of the Stewards and may be pronounced during or after the Competition, or part of the Competition, as determined by the Stewards. The disqualified person's relevant results or times are voided. An appeal against a sentence of Exclusion shall not set aside such sentence pending determination (Disqualified shall have the same meaning.)

Division: A part of a Class based on weight or age or some other factor as determined by KA from time to time.

DNS (Did Not Start): A Competitor is deemed to be a DNS if they have not satisfied the definition of compete.

DNF (Did Not Finish): A Competitor is deemed to be a DNF if they have not completed the required number of laps in Heats, pre final or final, or greeted by the chequered flag to signify the completion of that section of the Event, unless a Competitor was shown the blue and red double diagonal flag

Driver: A person holding a Drivers licence acceptable to KA and entered to drive a Kart in a Competition **or to drive a Kart in a Karting Activity.**

Dry Weather Tyre: An approved Tyre specifically manufactured for dry weather use.

Endurance Event: An Endurance Event is an Event where the Race will be conducted over a set time limit or a set distance with a duration of not less than one (1) hour.

Event: An Event may include one or more Competitions and/or Vintage Events, which may comprise practice and qualifying sessions, Heat/s and a final or may be divided in some similar manner, but must be completed by the end of the meeting.

An Event is considered to have begun at the time scheduled for the beginning of administrative checking and/or scrutiny and shall include practice and the Competition itself. It shall end upon the expiry of one or other of the following time limits, whichever is the later:

- time limit for protests or appeals or the end of any hearings; or
- end of administrative checking and post-Event scrutiny carried out in accordance with these Rules

Exclusion: A person or body shall be said to be excluded when they have been definitively (permanently) forbidden to take part in any Competition whatsoever. It shall render null and void any previous Entry made by the person excluded and shall entail the forfeiture of Entry fee. (Excluded shall have the same meaning.)

FIA: Federation Internationale de l'Automobile.

Field: Consists of all of the Karts in a Division, Class or Classes or Club Group on the Track at that time.

Finish Line: The final control line on a Track.

Force Majeure: is circumstances over which organisers, Competitors or Drivers have no control and which involve the impracticality of the Competition continuing.

Frame: Welded main tube structure and applicable rails in the manufacturer's specifications and the Rules.

Hearing : A proceeding conducted in accordance with the Rules where an issue of rule, regulation or fact is tried and evidence is presented to help determine the issue. If a person covered by these Rules is called upon to attend a Hearing, they must attend at the place and time specified for the hearing and cooperate fully with the proceedings. Failure to attend a Hearing when called upon to do so is an offence and when the person who fails to attend the Hearing is the subject of the Hearing, may lead to the Hearing being conducted 'in absentia'.

Heat: One of a series of Races in which the combined results of the Heats shall determine the leader at that point.

Homologation: Is the certification of the technical specification for an engine or component, which shall include a Homologation Document or Technical Specification Document which can be found on the KA website at <http://www.karting.net.au/administration/technical>.

International Competition: Means either a Championship, Cup, Trophy, Challenge or Series registered on the FIA International Karting Calendar and/or a National Competition organised by another ASN.

ISC: International Sporting Code of the FIA.

Kart: An automobile complying with the specific requirements of these Rules.

Karting Activity: Means any non-competitive activity **that is conducted under an Organising Permit and insured by KA's Insurance program, including but not be limited to an Organised Social Karting activity under these Rules, which for the avoidance of doubt shall include but not be limited to General**

(Private) Practice, Training, Bring A Mate, Come and Try, Junior Sprockets and Junior Sprockets Plus sessions under these Rules.

KA: Australian Karting Association Ltd trading as Karting Australia

KA Calendar: The National calendar of Events approved by KA on an annual basis that may require the issuing of a KA Organising Permit

KA Tribunal: Is an independent tribunal appointed and empowered in accordance with KA Policy ES-016.

Licence: Means a certificate of registration issued to any person or body (including but not limited to Drivers, Competitors, Participants, Officials, authorised Suppliers, Circuits, Mechanics, Pit Crew etc.) wishing to participate or taking part, in any capacity whatsoever, in Competitions and/or Karting Activities governed by the Rules.

Licence Number: The number allotted by KA to the holder of a licence, which is entered on a register.

Licence Holder: Means a person or entity who holds a Licence that has been issued by or is acceptable to KA.

Licence Holders' Register: The list held by KA of Licence Holders.

Maximum/Minimum: References of Maximum or Minimum mean the absolute dimension for that item.

Meeting: An assembly of Competitors and officials including one or more Competitions or several record attempts.

Member: Means a person who is considered to be a member of KA pursuant to Rule 5 of the Constitution.

Motorsport Australia: The trading name of the Confederation of Australian Motor Sport Ltd, the Board of the Confederation of Australian Motor Sport Ltd (the Board of CAMS) and any other person, commission, committee or body within the Confederation of Australian Motor Sport Ltd which holds an authorised delegation of power from the Board of the Confederation of Australian Motor Sport Ltd. CAMS is the ASN for Australia and its territories.

NCR: Has the same meaning as Rules.

NCSC: Means the National Circuit Safety Committee.

OEM: Original Equipment Manufacture - Item must be the same as samples held in the KA National Office and must conform to the specifications in these Rules.

Official: Means any person who holds an Officials Licence issued by KA and who may be appointed from time to time by KA or by the Organisers of the Meeting.

Official's Licence: A licence issued to an accredited person in accordance with these Rules.

Organiser: The Organiser is the person or body having responsibility for the organisation of a Meeting including but not limited to technical and sporting matters in accordance with these Rules.

Organising Committee: The Organiser shall appoint an Organising Committee which shall consist of at least three persons invested with all necessary powers for the organisation of the meeting and the enforcement of Supplementary Regulations save that for Club meetings, the Organising Committee may consist of fewer persons.

Organising Permit: A document issued by KA or the SKA authorising the organisation of a Competition or the conduct of a Social Karting activity under these Rules, which for the avoidance of doubt shall include but not be limited to a: Kart Fun, General (Private) Practice, Bring A Mate and Come & Try sessions under these Rules.

Paddock: An area within a Course where all Karts entered for a Meeting will be accommodated whilst not Competing during a Meeting and in which work to prepare a Kart for Competition will be undertaken.

Parc Fermé: An area secured by the Organiser for the purpose of isolating and checking automobiles for technical compliance with the Rules. Each Parc Fermé shall be of sufficient size to accommodate all Karts which are to be isolated. It shall be clearly delineated and controlled by officials appointed for that

purpose so that only authorised persons can gain access. No repairs, replenishments, servicing or other work may be carried out on any competing Kart within Parc Fermé unless explicitly provided for and then only under the supervision of the Officials.

Participant: Means any person having access to the Circuit. This includes any person or corporation which is directly associated with a Competitor and/or Driver and/or holder of a Participant's Licence.

Participant's Licence: A Participant's licence is required by the parent and/or legal guardian of a Driver under the age of 18 years if they do not hold a current KA Drivers licence.

- It is a certificate of registration issued by KA to a person who may be a member of an affiliated Club, but in all circumstances for the purpose of the Participant's Licence the person shall be deemed to be a Temporary Member pursuant to Rule 2.7 of the Constitution.
- A parent and/or legal guardian that holds a current KA Drivers licence and who is listed in the CMS as the Participant's licence holder for the Driver is deemed to be the holder of a Participant's Licence.

Program: An official document prepared by the Organiser of a meeting which includes details of the Competition. A program is obligatory for all National Championship, National Series and State Championship Meetings

Promoter: Except where the Promoter is also the Organiser, the Promoter of an Event shall be a person or body with responsibility for financial and commercial matters only. A Promoter who is not also the Organiser shall not intervene during a Meeting in respect of matters covered by these Rules.

Prosecutor: A person who institutes or conducts an official prosecution.

Protest: Means a formal statement of objection against a Licence Holder, action, result or any other matter occurring either at a Meeting or outside a Meeting where there is a nexus to karting in accordance with the Rules.

Provisional Classification: Means the results published by the Timekeeper on MyLaps Speedhive after the end of the session or Competition concerned. This classification may be revised following a decision of the Stewards and/or Tribunal.

Race: A Competition held on a closed Circuit between two or more Karts, running at the same time on the same Track, in which the result is determined either by the order in which the Karts cross the finish line after completing the specified number of laps, or by the distance covered in the specified time.

Record: The best result obtained in particular conditions prescribed by the regulations and will be one of the following types:

- **Local Record:** A record established on a permanent or temporary Track approved by KA whatever the nationality of the Competitor.
- **National Record:** A record established in conformity with these Rules within the territory of KA, or within the territory of another ASN with the prior authorisation of the latter. A national record shall be a class record or an absolute record.
- **International Class Record:** The best performance accomplished under the ISC in a determined class or group.
- **World Record:** A record recognised by the FIA as the best performance achieved by an automobile irrespective of category, class, group or any other means of subdivision.

Rules: Mean all the provisions of the Karting Manual together with all Schedules and Appendices, including but not limited to the Homologation Documents, Sporting Regulations, applicable State Regulations, Supplementary Regulations, Addendums, Further Supplementary Regulations, Bulletins, Instructions, Communicable Disease Directions and the ISC.

SKA: Means a State Karting Association which is an Ordinary Member as defined in the Constitution and which is delegated with certain responsibilities to administer Karting in such State or Territory in accordance with the Constitution, Rules, Regulations, Policies, Procedures and directives of KA.

SKC: A State Karting Council of an SKA.

State Calendar: The calendar of Events approved by an SKA on an annual basis that will require the issuing of an Organising Permit.

Sporting Regulations: A set of regulations in a format designated by KA, that are consistent with the National Competition Rules and the International Sporting Code and that are approved by KA. Should there be a conflict between the Rules and the Sporting Regulations, the Sporting Regulations will prevail.

Standing Order: A document approved by the Board which states the manner in which a Commission, Functional Committee or Appointed Official is appointed, their respective duties and responsibilities consistent with Clause 8.4 of the Constitution.

Start: The start is the moment when permission to start is given to a Driver or to several Drivers starting together.

Starting Line: The first control line on a Track.

State Regulations: A set of regulations in a format designated by KA, that are consistent with the National Competition Rules and the International Sporting Code and that are specific to Competition sanctioned by the SKA (State, Zonal and Club Competition.) All State Regulations must be promulgated by a SKA and approved by KA. Should there be a conflict between the Rules and the State Regulations, the Rules will prevail. Approval of State Regulations by KA should be received prior to 1 December for implementation in the following year or at least one (1) month prior to the first occasion on which they will be used.

Supplementary Regulations: A compulsory official document for Events and Karting Activities. Supplementary Regulations shall not be contrary to the Rules.

- Event Supplementary Regulations: Must be approved by KA for Events on the KA National Calendar or by the SKA for all other Events and issued by the Organiser of a sporting competition with the object of specifying the details of the Competition. They must be readily available to all Competitors in an Event via the KA web site for all Events on the KA National Calendar and via the relevant SKA website for all other Events including Club Competition.
- Karting Activity Supplementary Regulations: Must be approved by the SKA or KA for all Karting Activities and issued by the Organiser of the Karting Activity with the object of specifying the details of the Karting Activity. They must be readily available to all participants in a Karting Activity via the Club Notice Board or such other means as may be approved by either KA or the relevant SKA.

Suspension: A person or body shall be said to be suspended when they have, for a specified period, been forbidden to take part in any Competition or Karting Activity, either within the territory of the ASN which has pronounced the sentence of Suspension or in that of another country acknowledging the authority of the FIA. (Suspended shall have the same meaning)

Telemetry Aids: Any device that relays information from the Kart to another party whilst the Kart is in motion.

Track: A road specifically built or adapted to be used for Karting competitions. A Track is defined by the outer edges of the racing surface and is the only route to be used during a Competition.

Track Density: Means the maximum number of Karts that are permitted on a Track at any time. Track Density is based on the length and width of a Track modified (reduced) to reflect the maximum capacity of the in grid and/or the out grid.

Tribunal Registrar: The person designated by KA nationally and/or each SKA to arrange Tribunals.

Tyres: An approved new or used tyre is one of the same type.

Vintage Event: Includes Practice, Parade/s, Demonstration/s, Regularity Trial/s and Time Trials for Karts complying with Vintage Karting Class Rules.

Wet Track: Means a Track upon which it is permitted to use either Dry Weather Tyres or Wet Weather Tyres for Competition.

Wet Weather Tyre: An approved Tyre specifically manufactured for wet weather use.

Year: A Calendar Year which commences 1 January and concludes 31 December.

A1 Communications must follow the official path:

- a) Official communications should be in written form.
- b) Communications from an SKA to and with KA will generally (in the first instance) be through the KA National Office.
- c) Communications From Clubs
From Club member to Club Secretary, from Club Secretary as official correspondence (on letterhead) to State Office, if concerning KA level issues, then as official correspondence (on letterhead but sent by email) to the KA National Office for forwarding to the bodies involved.
- d) Communications From Officials
From the Official to the State Officials Coordinator to State Office, if concerning KA level issues, then as official correspondence (on letterhead but sent by email) to the KA National Office for forwarding to other bodies involved.
- e) Replies are to follow reverse procedures.
- f) Any Director/s of the Board and/or the CEO may at their absolute discretion initiate communication directly with any person, entity, Club or SKA.
- g) Under exceptional circumstances, communications may occur at other levels of Karting which do not comply with this Rule. When this occurs, all replies should be in accordance with Rule A1 unless Privacy legislation or any other legislation or Karting policy may be breached.
- h) All other communications with KA are to be directed to the CEO.

A2 General Principles

- a) Regulation Of International Motorsport
 - (i) The Fédération Internationale de l'Automobile (FIA) is the sole international sporting authority with the power to make and enforce regulations based on the fundamental principles of safety and sporting fairness, for the encouragement and control of Automobile Competitions, and to organise FIA International Championships.
 - (ii) The FIA is the final international court of appeal for the settlement of disputes in accordance with the International Sporting Code (Code).
- b) International Sporting Code
 - (i) So that the power is exercised in a fair and equitable manner, the FIA has drawn up the Code, which includes each Appendix.
 - (ii) The purpose of the Code is to regulate, encourage and facilitate motorsport.
 - (iii) The Code will never be enforced to prevent or impede a Competition or the participation of a Competitor, save where the FIA concludes that this is necessary for the safe, fair or orderly conduct of motorsport.
- c) Regulation Of National Motorsport
 - (i) Motorsport Australia is recognised by the FIA as the sole sporting power for the enforcement of the Code and the NCR which will govern all Automobile Competitions throughout the Territory of Motorsport Australia.
 - (ii) Motorsport Australia is a National Sporting Organisation as determined by the Australian Government.
 - (iii) Motorsport Australia is bound by the Code.
 - (iv) The FIA through Motorsport Australia has delegated the power to conduct any Karting to KA.
 - (v) KA is recognised as the National Sporting Organisation for Karting by federal legislation.
 - (vi) Karting Australia is bound by the Code.

- d) **Regulation Of National Karting**
- i) KA shall be the sole sporting authority entitled to make and enforce Rules for Karting activities conducted in Australia based on the fundamental principles of safety and sporting fairness, for the encouragement and control of Karting Competitions, and to organise the Australian Kart Championship.
- e) **National Competition Rules**
- (i) KA has formulated the National Competition Rules to allow its FIA delegated sporting power to be exercised in a safe, fair and equitable manner with the object of ensuring that the conduct and promotion of Karting throughout the Territory of Karting Australia is in a manner which secures and enhances the safety of each spectator, Official, Competitor, Driver, and Licence Holder and which encourages the sport to be competitive and fair.
 - (ii) The purpose of these Rules is to regulate, encourage and facilitate Karting activity in Australia.
 - (iii) The Rules will not be administered or implemented so as to prevent or impede a Competition or the participation of a Competitor, save where KA concludes that this is necessary for the safe, fair or orderly conduct of Karting.
 - (iv) Unless expressly authorised by the Constitution and these Rules, no interpretation, modification or change to anything whatsoever, referred to in these Rules is permitted.
 - (v) The Rules will not operate to prevent the imposition of an appropriate sanction or penalty for a contravention of any existing requirement of the FIA statutes, Code or the NCR for conduct arising hereafter, or for any amendment to any of those Rules provided the amendment is for the purpose of giving effect to the above.
 - (vi) Compliance with the NCR is mandatory.

A3 Commencement and Duration

- a) The provisions of these Rules take effect on 1 January 2022 and will continue unless amended by KA.
- b) Upon taking effect, these Rules will supersede and replace any previous Rules or regulations (however described) relating to Karting Competitions authorised by KA
- c) Any ruling, advice or exemption provided by KA or any KA authorised personnel prior to 1 January 2022 will be superseded by these Rules

A4 Interpretation

In the provisions of these Rules, and in general use, unless the context otherwise requires:

- a) Reference to "these Rules" will include any amendment or variation of them.
- b) The singular includes the plural and vice versa.
- c) Words importing a gender include any gender.
- d) A reference to any thing, including but not limited to any amount, is a reference to the whole of it.
- e) References to a person include corporations and bodies politic;
- f) References to a person include the legal personal representatives, successors and permitted assigns of that person;
- g) The use of the term "Competitor", "Driver", "Licence Holder", "Member", "Participant" or any other such descriptive term in the Rules shall not limit the application of that Rule to that class of persons, but rather the Rules shall apply to all persons, whether they be a Competitor, Driver, Licence Holder, Member, Participant or any other person bound by these Rules.
- h) A reference to the exercise of a function includes where the function is a power, authority or duty, a reference to the exercise of the power or authority or the performance of the duty.

- i) Headings are for convenience only and do not affect the interpretation of these Rules.
- j) Unless stated to be otherwise, a reference to any amount of money is exclusive of the Goods and Services Tax defined in A New Tax System (Goods and Services Tax) Act 1999 which may apply to any such amounts.
- k) Other than during the course of a Meeting, where a time limit expires on a Saturday, Sunday or such other day gazetted as a public holiday in the country, State or Territory concerned, as a result of which a person required by these Rules to comply with a time limit is unable to so comply, the time limit will be deemed to be extended to the next working day after the day on which the time limit was to expire.
- l) The final text for these Rules shall only be the English version which will be used should any dispute arise over their interpretation.

A5 CIK-FIA Delegate

- a) The CIK-FIA Delegate is appointed by the Board in accordance with the Standing Order.

A6 National Stewards Panel

- a) The National Stewards Panel is appointed by the Board in accordance with the Standing Order.

A7 National Technical Commissioner

- a) The National Technical Commissioner is appointed by the Board in accordance with the Standing Order.

A8 National Officials Coordinator

- a) The National Officials Coordinator is appointed by the Board in accordance with the Standing Order.

A9 National Medical Officer

- a) The National Medical Officer is appointed by the Board in accordance with the Standing Order.

A10 National Prosecutor

- a) The National Prosecutor is appointed by the Board in accordance with the Standing Order.

A11 Safety Delegate

- a) The Safety Delegate is appointed by the Board in accordance with the Standing Order.

A12 National Tribunal Registrar

- a) The National Tribunal Registrar is appointed by the Board in accordance with the Standing Order.

A13 Executive Commission and Functional Committees

The Board has established an Executive Commission and a number of Functional Committees Standing Orders for the Executive Commission and each Functional Committee is available at: www.karting.net.au

- a) Executive Commission
- b) National Officials Committee
- c) National Safety Committee
- d) Vintage Karting Committee

A14 Duties and Obligations of State Karting Associations

The duties and obligations of SKA's will include:

- a) To comply with and to ensure compliance with the Constitution By-Laws, Regulations, all Board Policies Procedures Decisions and Rulings, Standing Orders and Safety Standards of KA and these Rules
- b) To be the primary contact on all karting matters within their State
- c) Sale and issuing KA competition and social drivers' licences (Licence) that are required in accordance with the Rules including:
 - (i) The right to set the fee that it will charge for each category of Licence; and
 - (ii) The obligation to promptly remit to KA, the fee that KA has resolved to charge the Member State for each category of Licence.
- d) Issuing and distribution of AKA Event Organising Permits required in accordance with the Rules including
 - (i) The right to set the fee that it will charge for each category of Organising Permit in accordance with the Competition Level of each Event:
 - State Championship
 - State Series
 - State Cup
 - State Trophy
 - Zonal Competition
 - Club Competition
 - Kart Fun Sessions
 - Organised Social Karting Sessions
- e) Conducting Circuit inspections and issuing KA Circuit Licences in accordance with the Rules and Safety Standards, including;
 - (i) The right to set the fee that it will charge for:
 - Conducting a Circuit Inspection; and
 - Issuing a KA Circuit Licence.
- f) Remittance to AKA of all monies collected on behalf of AKA in accordance with AKA's trading terms;
- g) Co-ordinating karting on behalf of KA and in accordance with KA's Rules, Regulations, By-Laws, Policies and Safety Standards;
- h) Enforcing the KA's Rules, Regulations, By-Laws, Policies and Safety Standards;
- i) Formulate, adopt, issue, interpret State Regulations specific to their State that respect KA's Rules, and that must be approved by KA annually;
- j) Acting as Tribunal Registrars and organising a judicial and disciplinary system in accordance with KA's Rules, Regulations, By-Laws, Policies;
- k) Recruitment and training of Officials in accordance with KA's Rules, Regulations, By-Laws, Policies and Safety Standards;
- l) Production of an annual State Calendar of Karting Events for their State which shall not conflict with the National Calendar of events produced by KA;
- m) Forwarding correspondence as required to all KA members;
- n) Promotion and marketing of karting generally within each state or territory;
- o) Seeking and obtaining grants, sponsorship and other funds through government, commercial and philanthropic entities that do not conflict with KA's main sponsor/s;
- p) Maintaining and archiving of records;
- q) Issuing of gauges and technical equipment required for scrutineering of kart components;

- r) Ensuring that there is a minimum of two (2) persons in their State who are fully accredited Member Protection Information Officers (“MPIO”) and who are able to fulfil the MPIO function required by the Member Protection Policy. The MPIO will be a person who does not hold any executive position within the SKA. Some exemptions may, at the sole discretion of KA, apply.
- s) Any other matter at the discretion of the Board.

A15 National Club Affiliation Requirements

Club affiliation with a SKA and KA for the year commencing 1 January 2022, is conditional upon full compliance with the following National Affiliation Requirements:-

- a) Completing the Club Affiliation Form and submitting it to your SKA together with payment of the National Club Affiliation Fee of \$50.00.
- b) The club maintaining ongoing currency as an entity in accordance with relevant State, Territory or Commonwealth requirements – see APPENDIX A.
- c) Having all of the Club’s participants (Competitors, Drivers and Officials) registered on Karting Australia’s CMS program.
- d) Club acceptance and compliance with its SKA constitution and the Constitution, KA Rules, By-laws, Regulations, Policies and Procedures, Safety Standards and Instructions, issued by KA, including but not limited to:
 - (i) National Competition Rules
 - (ii) Decisions of the Board and directives issued by KA
 - (iii) Member Protection Policy
 - (iv) Privacy Policy
 - (v) Anti-discrimination, Harassment and Bullying Policy
 - (vi) Observed Driving Session Policy
 - (vii) Social Media Policy
 - (viii) Code of Conduct
 - (ix) Licencing Rules
 - (x) Risk Management Policy
 - (xi) Officials Licence Policy
 - (xii) Private Practice Policy
 KA’s Bylaws and Policies can be found online at: <https://www.karting.net.au/administration-by-laws-policies>
- e) Clubs must:-
 - (i) Ensure that all Karting activities - both Competition karting and social karting, are conducted in accordance with the Rules and Regulations, and under the provision of a properly issued Organising Permit by appropriately Accredited and Licenced Officials.
 - (ii) Ensure, to the best of its ability, that all members of the Club comply with these Rules.
 - (iii) Have achieved and will maintain KARM (Karting Australia Risk Management) Level 2 Accreditation and will work towards achievement of higher level of KARM as they are released.
 - (iv) Comply with KA and SKA requests for club and participant information in a timely manner.
 - (v) Follow the KA injury and incident reporting procedures, including completion of injury report forms. All injuries must be documented in accordance with the injury report procedure.
 - (vi) Ensure that at least two (2) members of the Club Executive or Committee have successfully completed the Volunteer Management Course in the KA Officials Academy powered by Rosche Paper.

- f) Throughout 2022, Clubs must maintain a commitment to progressively work to :
- (i) Achieve and maintain the highest levels of KARM Accreditation. as the training modules become available.
 - (ii) Implement Working with Children Checks (Suitability Checks) for all staff and volunteers (paid or unpaid) and ensure they are conducted in accordance with State Legislation.
 - (iii) Ensure the Club meets its employment obligations, including the appropriate level of WorkCover insurance.
 - (iv) Maintain an ongoing compliance with the basic venue safety requirements, including but not limited to:
 - Having the Current Organising Permit on prominent display on the Club Notice Board and/or at the Out Grid at all Club venues at all times that a karting activity is taking place.
 - Having the latest approved Waiver/Disclaimer signs on display in the grid area and at any entrance into the facility.
 - Having Safety Rules on prominent display at all club venues.
 - Having Private Practice Rules on prominent display at the Out Grid at all club venues at all times.
 - Ensuring that trial evacuation exercises (Fire Drills) are conducted at least twice per year.
 - Ensuring that at least one currently qualified First Aider, is on site and accessible in accordance with the KA Rules.
 - Ensuring that a fully equipped, regularly maintained First Aid Kit is on site and accessible during all KA Permitted Karting activities.
 - Ensuring that a working telephone either landline or mobile is on site, operational and accessible during all KA Permitted Karting activities and emergency contact numbers are on prominent display near the handset or other prominent place.
 - Implementing an MPIO procedure wherein at least one person per club has completed the online MPIO Course by the beginning of the Calendar year. The Club MPIO should be a person who is not on the Club executive. Some exemptions to this requirement may, be given to smaller clubs upon application to KA or the SKA.

APPENDIX A

Incorporated Club Responsibilities

Legislation differs in each state or territory, so it is difficult to outline detailed requirements for Incorporated

Bodies (Associations and Clubs), but basically, an incorporated association may need to:

- Have a current constitution and act in accordance with its objects and rules
- Have a committee, responsible for managing the Club
- Have a public officer
- Have a registered office in its state of incorporation
- Hold an annual general meeting once every calendar year
- Lodge an annual statement every year
- Keep proper accounting records and, where required, prepare, have audited and lodge financial statements
- Keep minutes of all committee and general meetings.
- Keep registers of members and all committee members

For more information about incorporating an association and post-incorporation obligations, visit the website of the relevant State or Territory authority.

PAROLIN



2021 MANUFACTURER CHAMPIONS

Enquiries: 0407 401 621

admin@parolinaustralia.com.au

Girls Race Too!



SUPPORTS

FIA GIRLS
ON TRACK



Introducing Gallagher's Karting Australia Insurance Hub



Access all your Insurance tools online

The Gallagher Karting Australia Insurance Hub gives you access to all the information you need to face your future with confidence. With instant access to:

- Your Karting Australia membership insurance coverage explained
- Obtain an insurance certificate of currency
- Lodge an insurance claim
- Insure your own personal or club assets such as club house, cars, trucks, karts, tools, trailers and equipment

Visit now

sport.ajg.com.au/karting-australia/

or get in touch with the Gallagher team via:
sport@ajg.com.au or phone 1800 776 780



Insurance | Risk Management | Consulting

RICCIARDO

KART



**AUSTRALIAN
CHAMPIONS**



patrizicorse.com
KARTINGONLINE >>



General Rules



Standing Regulations

Preamble

These are the Standing Regulations of KA. The object of these Rules is to ensure that the conduct and promotion of the sport of Karting in Australia is carried on in a manner which enhances and secures the safety of all participants including spectators, Officials and Competitors, and which encourages the sport to be competitive and fair for all who take part.

1 Authority

The Board has promulgated these Rules for the control of the sport of Karting under its authority in Australia. Karting will be organised in Australia by KA as the delegated body or, by other Promoters approved by KA.

2 Application

These Rules shall govern all activities having a nexus to Karting and/or in which Karts as hereinafter defined shall take part.

3 Spirit and Intent

In accordance with the Constitution, these Rules will be periodically reviewed to ensure safer and fairer competition for all participants.

4 Club Membership

- a) A person may become a member of a Club in the State or Territory in which that person is either:
 - (i) On the Electoral Roll; or
 - (ii) Can provide documentary proof they have resided in that State or Territory for the previous three (3) months; or
 - (iii) Can provide documentary proof that they reside within a 150km radius from the Club when a Club is located on or close to a State border unless otherwise approved by KA.
- b) In addition to the requirements of Rule 4 a) above, a person who has been suspended by KA, Motorsport Australia or an ASN affiliated with the FIA for a period of 12 months or more is not permitted to become a member of a Club until such period of Suspension has been served. This Rule 4 b) shall not affect any member's ability to remain a member of the Club of which they were a member at the time the Suspension was imposed.
- c) In addition to the requirements of Rule 4 a) above, a person who has been Excluded by KA, Motorsport Australia or an ASN affiliated with the FIA is not permitted to become a member of a Club.

5 Bound by the Rules

- a) All KA Licence Holders, Members and Participants, whether competing or not, are required to be fully conversant with, agree to abide by and be bound by the Rules and all KA Policies, Bylaws, Regulations, directions and procedures at all times.
- b) Officials of any Meeting shall have (and exercise) their powers during the entirety of the Meeting.
- c) It is the Licence Holder's responsibility to ensure that all persons concerned with their entry (which, for the avoidance of doubt shall include: the Driver, pit crew and any other participant in general associated with the entry) will observe all of the requirements of Rule 5 a) pertaining to that Meeting.

- d) If a Participant is unable to be present in person at the Competition, they must nominate a representative in writing who is the holder of a valid Participant's Licence or is a person over the age of 18 years who is the holder of a valid Driver's Licence. The person having charge of an entered kart during any part of a Meeting Competition is responsible jointly and severally with the Participant for the respect of all the provisions of the Rules, the ISC, the Technical Regulations, Championship Regulations, Series Regulations, Supplementary Regulations, Addendums and Bulletins pertaining to that Meeting.
- e) If a Competitor is unable to be present in person at the Competition, they must nominate a representative in writing. The person having charge of an entered Kart during any part of a Meeting is responsible jointly and severally with the Competitor for the respect of all the provisions of Rule 5a), pertaining to that Meeting.
- f) A Licence Holder must ensure that their karts comply with the conditions of eligibility and safety throughout practice and the Race.
- g) A Licence Holder will at all times be responsible for the conduct of their crew members, including those who hold a KA licence, and any offence committed by a crew member will be chargeable directly to the Competitor and/or Driver and/or the crew member.
- h) For the avoidance of doubt:
 - A Driver's parent / guardian within the confines of the Course will be deemed to be a crew member.
 - A Driver over the age of eighteen (18) years of age will be deemed to be a Competitor.
 - A Driver under the age of eighteen (18) years is not responsible for the Competitor, Participants Licence Holder or the pit crew. It is the Participant's Licence Holder's responsibility to ensure that all persons assisting the Competitor and/or the Participant and/or the Driver comply at all times with all Rules, Policies and Procedures promulgated by KA.

6 Acquaintance with and Submission to the Rules

Each person, body or group of persons organising a Competition or taking part therein, including but not limited to Competitors, Participants, Drivers, Licence Holders, Pit Crew, Officials, Promoter, Organiser and Circuit operator:

- a) shall be deemed to be fully acquainted with the Constitution, the Rules, Policies and Procedures;
- b) shall undertake to must submit themselves without reserve to the above and to the decisions of KA and to the consequences resulting therefrom; and
- c) acknowledges that the Rules are:
 - made in the best interests of Karting activities in Australia;
 - necessary and reasonable for the purpose of protecting and promoting Karting;
 - necessary and reasonable for the purpose of establishing safety regulations; and
 - made in the public interest.
- d) Each person, body or group of persons acknowledges and agrees that this clause may to the extent that is permissible at law, be pleaded as an absolute bar to proceedings, suit or action against KA; and
 - agrees that they will not become a party to any proceedings, at law or equity, against KA, its Officials or any other persons subject to the Rules, until all remedies allowed by the Constitution, the Code of Conduct and the Rules have been exhausted, save with the prior written consent of KA; and
 - in case of non-compliance with these provisions, any person or group which organises a Competition or takes part therein, may have any KA licence which has been issued to them withdrawn.

7 Event Types

- a) Competition types shall be one of the following kinds:
- International:** a Competition which:
 - Is open to Competitors and/or Drivers holding a CIK-FIA international licence;
 - Is organised by KA, or at the sole discretion of KA is delegated to another body or entity.
 - National:** a Competition which:
 - has been entered on the KA National calendar;
 - is open only to the holders of the relevant licence issued by or acceptable to KA;
 - is organised by KA, or at the sole discretion of KA is delegated to another body or entity;
 - may be a National Championship, National Series, State Championship or National Cup or a round thereof or any other Competition.
 - State:** a Competition which:
 - has been entered on the SKA calendar;
 - is open only to the holders of the relevant licence issued by or acceptable to KA;
 - is organised by the SKA, or at the sole discretion of the SKA is delegated to another body or entity.
 - may be a State Series, State Cup or State Trophy.
 - Zonal:** a Competition which:
 - has been entered on the SKA calendar;
 - takes place within a designated region of a State or Territory as approved by the SKA
 - is open only to the holders of the relevant KA licence;
 - may be a Zonal Championship or Zonal Competition;
 - will not be nor form part of any National Meeting or State Meeting.
 - Club:** a Competition which:
 - has been entered on the SKA calendar;
 - takes place at a Club that is affiliated with that State;
 - may be a Club Championship or general Club Competition;
 - will not be nor form part of any National Meeting, State Meeting or Zonal Meeting.
- b) Social Karting Activity: shall be is a karting session that does not form part of a Competition and that:
- (i) Takes place at a Club that is affiliated with a SKA;
 - (ii) Will not be, nor form part of any National Meeting, State Meeting or Zonal Meeting. For the sake of clarity, it may form part of a Club Meeting;
 - (iii) Has no competitive nature about it and is conducted solely for fun, training and/or practice;
 - (iv) Is conducted in accordance with the guidelines in Appendices: 1, 3 or 4; and
 - (v) Shall be one of the following kinds:
 - Organised Social Karting,
 - General (Private) Practice,
 - Bring A Mate and
 - Come & Try sessions
- c) KA may, in special circumstances, vary the applicable status level of a Competition up or down from what would generally be expected from the criteria above. This may be for the application of Organising Permit conditions or fees, for the application of safety conditions, or for some other reason considered appropriate at the absolute discretion of KA.
- d) A Meeting made up of a number of Competitions will normally take its status level from the highest status of Competition at the Meeting. Competitions within the Meeting may have lower status levels applied to them for the purpose of licences, conditions or application of other Rules.

8 State Regulations

State Regulations may be applied to State, Zonal and Club Competition.

9 Organising Permit; Necessary Permission and Approval

- a) No Competition or Social Karting Activity shall be held under these Rules unless KA or the SKA with authority delegated to it by KA has signified its approval by granting an Organising Permit, with or without an Organising Permit Fee, or the Competition or Social Karting Activity is of a kind in respect of which KA or SKA may attach conditions to the granting of an Organising Permit or decline to grant or may withdraw an Organising Permit without stating a reason.
- b) An application for an Organising Permit shall be made electronically via the CMS, complete with attached Supplementary Regulations.
 - It must be lodged with the Secretary or Administrator of KA or the authorised SKA at least one (1) month before the proposed Meeting.

10 Announcement of Jurisdiction

Meetings will be held in accordance with these Rules. All Supplementary Regulations and programs for all Kart Competitions shall bear conspicuously the announcement: -"Held under the International Sporting Code of the FIA, and the Rules of Karting Australia".

11 Format of Racing and Determination of Results

Supplementary Regulations for all Meetings shall specify the format and schedule of racing and the method of determination of results.

12 Circuit Licence

A Circuit Licence is issued biennially by KA or the SKA after approval has been granted by the Circuit Inspector and is valid for a period of two (2) years from the date of issue unless otherwise approved by KA.

- a) A Circuit Licence is a certification that allows the Circuit to be used by KA Licenced Drivers for practice and /or approved Competitions.
- b) A current Circuit Licence empowers the relevant SKA / Club or Licenced KA Officials to enforce these Rules at all times whenever the Circuit is used for social karting, practice and / or approved Competition.

A Club that does not have a Circuit Licence but that hires their Circuit may apply to their SKA for a practice permit as and when required.

13 Insurance

It shall be mandatory upon each Organiser, Official, Competitor Driver, pit crew member and voluntary worker who are covered by KA's Personal Accident Insurance Policy to comply without exception with such requirements regarding insurance as prescribed by KA.

14 Fees

The scale of fees payable shall be such as are determined from time to time and are available as referred to in these Rules

15 Duration of a Meeting

A Meeting commences at the commencement of the first date specified on the Organising Permit and ceases at the expiration of the final date specified on the Organising Permit. During this entire period, the appointed Officials of the Meeting shall have and exercise their powers.

16 Entries

Entry to all Meetings must be by use of the plastic KA licence swipe card in conjunction with the CMS for identification and confirmation of entry.

17 Acceptance and Refusal of Entry

Acceptance Of Entry

- a) Where the Championship or Series Regulations or Supplementary Regulations provide for a limitation on the number of Entries allowed to Start, the selection criteria may be specified.
 - (i) If no criteria are specified, the Organiser may accept Entries either in the order of their receipt or by ballot.
 - (ii) An attempted Entry not accepted under these criteria may become a conditional Entry and is not subject to any requirement relating to unauthorised substitution of one Competition or Class for another.

Refusal Of Entry

- a) The Organiser reserves the right to reject any Entry or to attach conditions to acceptance of an Entry. The rejection of an Entry must not breach anti-discrimination laws and any conditions must not be contrary to the Rules.
- b) The Organiser must advise an intending Competitor in writing if their Entry has been refused for:
 - (i) A National Championship or National Series no later than 2 days after the closing date for Entries.
 - (ii) Any other Competition, prior to the commencement of the Competition.

18 Scrutineering

- a) Each Kart shall **may** have affixed to it a correct identifying mark supplied for that Meeting as stipulated in these Rules **and/or Series Regulations or Supplementary Regulations**.
- b) A Kart involved in an incident may be required to be re-scrutineered in accordance with these Rules.
- c) A Kart may be inspected by a Scrutineer during a Meeting in accordance with the provisions of these Rules.

19 Kart Formula

A Kart must comply with the Australian Kart Formula and relevant Class Rules at all times while it is on a Track. **Note:** With the exception of the correct fitment of the Front Fairing in accordance with Technical Rules; Chapter 1, Rule 8 g) (iii), accident damage during a session at an Event will not render a Kart in breach of the Australian Kart Formula in that session. For the sake of clarity, this will not apply to any kart that has received the black and orange disk flag during the session.

20 Weights

Class weights are as Raced at the time of weight measuring and are detailed in the relevant Class Rules.

21 Running in an engine

When a Competitor Licence Holder is 'running in' an engine during practice they must display a diagonal red cross over their Race number on the rear number plate. This cross must go from corner to corner of the number plate and be clearly visible.

22 Withdrawal from a Competition

Should a Competitor Licence Holder decide not to compete in a section of a Meeting for which they have entered, it is a requirement that they immediately notify the Grid Marshal, whose responsibility it shall be to notify the other relevant Officials.

23 Advertising, Signs and Writing

Advertising, signs and writing are allowed on Karts, Driver's overalls, helmets, team uniforms and apparel worn by team members subject to the following conditions:

- a) A sign or advertisement must be permitted by Australian Law.
- b) No sign, advertisement or writing is permitted to obscure the competition number background.
- c) No numerals are permitted. KA Promotional material is exempt.

- d) No sign, advertisement or writing which is deemed to be indecent, contrary to the best interests of karting or offensive will be permitted. The Stewards shall have the sole responsibility for defining 'indecent and/or offensive'.

Apart from the above requirements the style, size, number, location and subject matter of advertising on Karts shall be free.

The Clerk of the Course and the Stewards can direct that a sign be removed or covered if they consider it contravenes any of the above Rules. Their decision shall not be subject to appeal in respect of that Meeting.

24 Unauthorised Unrecognised Competition

Only a Competition or proposed Competition organised in conformity with the ISC and/or the Rules is recognised by KA. The participation in any Competition not meeting these requirements will not qualify a Competitor or Licence Holder to take part in an International Competition, nor will it qualify a Competitor or Licence Holder to take part in an Event on the National Calendar of KA or Motorsport Australia.

- a) Each person connected with the holding of any Competition other than in accordance with the Rules acknowledges that the effect of the Rules is to restrict the ability of that person to compete or participate in, promote, organise or otherwise hold or provide services at an authorised Competition.
- b) If a Competition which does not conform with the ISC and/or the Rules is included in an Event for which an Organising Permit has been granted, that Organising Permit will be null and void.
- c) Any Licence Holder participating in an unrecognised Competition may be subject to the sanctions provided for in the ISC and/or the Rules and will forfeit all entitlements contained within their KA licence during or arising from that Event.

25 Alteration to Competition

Unless otherwise stated in the approved Supplementary Regulations of a Meeting, the Organisers reserve the right at their sole discretion to abandon, postpone, cancel or alter the Race distance of any Competition.

- a) Cancellation means that the proposed Meeting or Event never takes place.
- (i) In the case of Cancellation by the Organiser prior to the commencement of administrative checking at a Meeting or an Event forming part of a Meeting entry fees shall be returned in full.
- (ii) In the case of Cancellation as a result of Force Majeure, as determined by the Stewards, KA or an SKA, prior to the commencement of administrative checking at a Meeting or an Event forming part of a Meeting entry fees will be forfeited.
- b) Postponement means the Meeting or Competition cannot begin on the proposed date.
- (i) In the case of a Postponement of the commencement of a Meeting for more than 24 hours, entry fees shall be returned on a written request (e.g. email / letter / fax) by the Competitor to the Organiser within 14 days from the postponement.
- (ii) If this has not been received, the Competitor will be re-entered into the re-scheduled Meeting.
- (iii) KA, an SKA, Promoting Club and Stewards have the authority to order postponement and they may only do so for reasons of safety or Force Majeure.
- (iv) Supplementary Regulations for Meetings postponed for more than 14 days can be altered and re-issued to allow for changes of Officials, entries and timetables.
- c) Abandonment is the inability to complete all the scheduled Competitions prior to the before completion of the Meeting. Only the Stewards have the authority to order abandonment and they may only do so for reasons of safety or Force Majeure. The Entry fee will be forfeited.
- (i) Abandonment prior to the Results of a Minimum of one (1) Heat in a Class or Division being declared

- At a Meeting where the Results in a Minimum of one (1) Heat in a particular Class or Division are not declared, the prizes and awards, including any Championship or Series points, will not be distributed in the Class or Division that does not have Results declared.
- (ii) Abandonment if the Results of a Minimum of one (1) Heat in a Class or Division are declared
 - At a Meeting where the Results in a Minimum of one (1) Heat in a particular Class or Division are declared, the prizes and awards, including any Championship or Series points, will be distributed based on the number of Heats that have had Results declared in each particular Class or Division.
- d) Alteration of Race Distance
At a Meeting, the Stewards, Race Director and Clerk of the Course, in conjunction with the Promoting Club and where applicable the category manager, may amend the original specified Race distance prior to the commencement of a Race. Drivers must be notified and a Bulletin issued confirming any such amendment.

26 Distribution of Prizes

- a) The distribution of prizes should not commence until thirty (30) minutes after the completion of Competitions in that Class.
- b) A prize should not be distributed until:
 - (i) any Protest is finalised; or
 - (ii) any Appeal is finalised or
 - (iii) the time for appeal has expired without any notice of appeal having been lodged.
- c) Any list of results and prizes published prior to the expiration of time for the lodgement of Protests or Appeals must be stated to be 'provisional'.
- d) A prize distributed prior to the list of results being final, must be returned to the Organiser immediately if they are no longer eligible for the prize once the list of results become final.

27 Fuel Sample

Fuel samples may be taken as required, by methods as described in these Rules.

28 Change of Chassis

- a) Replacement of Chassis shall be permitted, if after inspection by the Chief Scrutineer it is determined that the damage to the original Frame is beyond repair in the time available, prior to the next Competition. Drivers receiving a replacement Chassis will be required to start at the rear of the grid in the next section of their Competition when using the replacement Chassis.
- b) The replacement Chassis must be scrutineered for compliance with Kart specifications and the Rules.

29 Engines

The only engines which may be used on a Kart are those indicated in the Rules and which are further defined in the relevant Class Rules.

30 Tyres

- a) The only Tyres which may be used on a Kart are those indicated in the Rules and which may be further defined in the relevant Class Rules.

31 Parity

KA may undertake parity reviews from time to time throughout a Year. Should a perceived disparity arise that requires a review of the parity between Karts competing in a Class, such matter may be reviewed by KA at any time.

32 Consumption of Alcohol or Drugs

- a) KA Anti-Doping Policy - The control of prohibited substances is regulated by KA's Anti-Doping Policy. In any areas where these rules and the Anti-Doping Policy conflict the Anti-Doping Policy will apply. KA's Anti-Doping Policy can be found under "Policies" at www.karting.net.au.
- b) KA Alcohol Policy - The consumption of Alcohol is regulated by KA's Alcohol Policy. In any areas where these rules and the Alcohol Policy conflict the Alcohol Policy will apply. KA's Alcohol Policy can be found under "Policies" at www.karting.net.au.
- c) KA Breath Alcohol Testing Policy - Breath Testing for Alcohol is regulated by KA's Breath Alcohol Testing Policy. In any areas where these rules and the Breath Alcohol Testing Policy conflict the Breath Alcohol Testing Policy will apply. KA's Breath Alcohol Testing Policy can be found under "Policies" at www.karting.net.au.
- d) A Licence Holder, Member, Pit Crew or Official who, in the opinion of the Stewards is affected by alcohol, medication, drugs or any other cause will be Disqualified from the Meeting. The Minimum penalty for unauthorised use of medication or other item is Disqualification from the Competition.

33 By-laws, Policies, Regulations and Procedures

Each Licence Holder, Member, Official, any individual or entity participating in any KA activity must comply with the By-laws, Policies, Regulations and procedures of KA. The Policies and procedures are available at www.karting.net.au.

34 Photographs and Images

Photographs and images includes still and movie film photography, video, audio and digital recordings and footage.

KA has an ongoing promotional program which includes publicising and developing public awareness of Karting and the achievements of, and awards to, its members. From time to time, as part of that promotional program, photographs and images may be taken of participants, including individual members, at Karting activities and Meetings or at other activities which members attend as representatives of KA. Such photographs and images may be taken by members of KA and by related 3rd parties (including parents and other persons associated with local Karting Clubs) or other authorised 3rd parties (including press photographers and television camera operators).

When you (or your child) become a member of KA you agree that you have no claim in copyright to, or claim to monetary compensation for, such photographs and images and that KA retains the right to publish any such photographs and images for the promotional program and/or for training purposes, whether internally or externally, and to provide such photographs and images for use in newspapers, magazines, television broadcasts, and on appropriate websites or other media including for the purposes of advertising and commercial purposes. You also consent to KA using those photographs and images for any such appropriate purpose without the need for any further permission or consent from you.

The release of such photographs and images may include the name of a member and the name of the Club or State to which that member belongs as well as some information about the activity.

This policy shall apply with the exception that any member, being an adult or with the written authorisation of their parent or guardian, not wishing their name and Club/State included with such photograph and images, shall notify the State Office in writing. In such case KA will take all reasonable steps to ensure that such information is not included with any photographs and images that are released.

35 Starting Permission – International Competitions (formerly at: Competition Rules Chapter 4 Rule f))

- a) In accordance with the ISC, a Licence Holder wishing to participate in an International Competition must hold the requisite Drivers Licence (refer to Competition Rules Chapter 4 Rule 16 f) (Requisite Drivers Licence) and authorisation to participate in such Competition/s in the form of a formal "Starting Permission Certificate" issued by KA.
- b) For a Driver who holds a Requisite Drivers Licence to be eligible for a Starting Permission Certificate, they must:
 - (i) meet the criteria listed in the CIK-FIA Rules and be in compliance with Article 2.1.5 of the ISC; and
 - (ii) unless otherwise approved by KA, have satisfactorily Competed in at least:
 1. Three (3) National Championship, National Series, National Cup and/or State Championship Events* in the 24 months preceding making application for the Starting Permission Certificate; and/or
 2. Three (3) International Competition Events in the 24 months preceding making application for the Starting Permission Certificate; or
 3. Three (3) Events in any combination of the Event categories stipulated in Rules 1) and 2) above.

* Reference to National Championship, National Series, National Cup and State Championship Events shall mean those Events conducted under an Organising Permit issued by KA.

Important Note:

- The minimum Competition qualification of three (3) National Championship, National Series, National Cup and/or State Championship Events and/or three (3) International Competitions referred to in clause (ii) above reflects that the 2020 and 2021 years have been disrupted by COVID-19. It is expected that the minimum competition qualification for 2023 will be five (5) such Events.

36 Penalties

Penalties for a breach of these Rules, will be applied in accordance with these Rules.

Fees

The fees payable to KA or to your SKA shall be as follows or as may be as announced by KA from time to time.

Organising Permit Fees	
Australian Kart Championship Event	\$1675.00
National Series Event - Rotax Pro Tour	\$1250.00
National Cup Event	\$1100.00
State Kart Championship Event	The Organising Permit Fee for these Events are set by each State Association. Refer to your State Karting Association for details.
State Series Event	
State Cup Event	
State Trophy Event	
Zonal Competition Event	
Club Competition	
Temporary Circuit Event	
Licences	
AUSTRALIAN RACING LICENCES (Including Insurance)	
KA Licence A, B, C, D Grade – Licence Renewal - Cadet, Junior, Senior	Refer to your State Karting Association
KA Licence A, B, C, D Grade - Late Licence Renewal - Cadet, Junior, Senior	
KA Licence A, B, C, D Grade – New Licence - Cadet, Junior, Senior	
KA 8 Day Licence (1 per year only for any person)	\$75.00
INTERNATIONAL RACING LICENCES	
International Driver's Licence	\$700.00
International Driver's Licence – Upgrade or Downgrade	\$300.00
International Competitor's Licence	\$150.00
Approval to Compete in International Event/s on an International Licence issued by KA	\$200.00 (Each application made.) Note: may include multiple events.
Trans-Tasman Visa (New Zealand)	\$150.00
Racing Overseas on a Ka Domestic Licence	
Approval to Compete Overseas on KA Domestic Licence	\$200.00 (Each application made.) Note: may include multiple events.
Ka Non-Racing Licences - Social, Vintage and Participant's Licences (Including Insurance)	
KA Licence E Grade (Social and Recreational) – New or Renewal	Refer to your State Karting Association
KA Vintage Licence	
KA Participant's Licence	No Charge

Fees table continued

Judiciary	
Protests (National Championship, National Series, National Cup)	\$550.00
Protests From any other Competition	\$110.00
Appeal (Tribunal - State and Club Level Meetings)	\$715.00
Appeal (Tribunal – National Level Meetings)	\$3,850.00
Appeal to AMSAC	Apply to Motorsport Australia
Track Development Fund Levy	
Applies to all entries at all Events (No GST)	\$3.00
Photographers Accreditation	
Photographers Accreditation – New or Renewal	\$150
Dealer Trade Licence	
Dealer Trade Licence – New or Renewal	\$650

(All fees are inclusive of 10% GST where applicable)

CHAPTER 3

Insurance

Details on the insurance policies maintained by KA can be found at www.karting.net.au.

Reference should be made to the insurance policy documents for specific details of coverage, terms and conditions.

Please note in all circumstances the terms and conditions of the respective insurances policies prevail.

Circuit, Track and General Safety Requirements

1 General

- a) A Circuit must hold a current Circuit Licence to hold a Meeting or a Karting Activity.
- b) Each Circuit will be assessed and graded for suitability to host a National, State Zonal or Club level Meeting.
- c) A Track must only be used in the direction indicated on the Circuit Licence. The Circuit Licence will be automatically invalidated if a Track is used in a direction or layout not indicated on the Circuit Licence.
- d) A Track must conform to the requirements of the KA Circuit Regulations and Guidelines.
- e) A Circuit that is not deemed to be compliant by the Circuit Inspector may not have its Circuit Licence renewed or may be required to comply with Works Orders to maintain its Circuit Licence.

2 Circuit Inspectors and Club Safety Officers

- a) Each SKA is to appoint at least one (1) Circuit Inspector whose appointment must be ratified by KA.
- b) A Circuit Inspector must be accredited by KA and must have satisfactorily completed a KA approved Circuit Inspector's course on a biennial basis either electronically or in person, in order to retain their Circuit Inspector's accreditation.
- c) A Circuit Inspector will work in conjunction with KA, the NCSC and the Club Safety Officer/s to ensure that safety requirements of a Circuit are being maintained.
- d) A Circuit Inspector is the point of final determination (in conjunction with KA where necessary) on whether or not a Circuit is compliant and if not compliant, what works are required to be undertaken to achieve compliance or otherwise improve the Circuit for the benefit of those who use it.
- e) Each Club is to appoint a Club Safety Officer who is responsible for Circuit safety. The Club Safety Officer must successfully complete the KA Club Safety Officer on-line course and examination in the KA Officials Academy.
- f) A Club Safety Officer will work in conjunction with the Circuit Inspector to maintain the safety requirements of a Circuit.
- g) It is recommended that the Club Safety Officer is not a member of the Club Executive.

3 Circuit Inspection Requirements

- a) A Circuit must be inspected biennial by a Circuit Inspector, prior to approving the issue of the Circuit Licence.
- b) A Circuit must also be inspected following any Track alterations prior to issuing an amended Circuit Licence.
- c) A Circuit Inspector will assess an existing Circuit on its merits against KA National Circuit Construction and Safety Guide requirements as approved by KA and will advise each Club of any upgrading over a period of time (a Works Schedule) that is necessary to maintain and improve the safety standards of the Circuit.
- d) The approval of a Circuit and the granting of a Circuit Licence is conditional on all works required by the Circuit Inspector being undertaken and satisfactorily completed in accordance with the Works Schedule.
- e) A separate Circuit Licence must be issued for each Track layout for which the Track is intended to be used.
- f) A Club that desires to have their Circuit licenced to run in a direction other than that indicated on its current Circuit Licence must make application in writing to the SKA no less than 90 days

before the commencement of the first Meeting at which the alternate direction is proposed to be used, so as to allow sufficient time for:

- (i) the Circuit to be inspected;
 - (ii) a Works Schedule to be established; and
 - (iii) the Works Schedule that will maintain the safety requirements of a Circuit to be satisfactorily completed prior to the issuing of a Circuit Licence.
- g) A Circuit Inspector will assess existing Circuits on their merits against guidelines approved by KA and will advise each Club of any necessary upgrading over a period of time to maintain and improve the safety standard of the Track.
- h) The Circuit Licence is to be displayed on the Official Notice Board and be maintained in a legible condition.
- i) Unless otherwise permitted by KA, a Circuit Inspector may not certify a Track operated by a Club of which the Circuit Inspector is a member.
 - j) A Circuit Licence is conditional on works required by the Circuit Inspector being undertaken in accordance with the works schedule.

4 **Circuit Maintenance**

- a) Proper maintenance of the Circuit and its installations is a condition of the Circuit Licence. The circuit should be checked not only before an event, but also afterwards, so that the damage can be assessed, and a repair program established. The main items which need regular attention include but are not limited to:
- (i) Track surface:
Cleanliness and general condition.
 - (ii) Edges, Verges and Lateral Areas:
All edges, verges and lateral areas should be level with the edge of the track and all areas behind kerbs filled in and level. In all grass covered areas, the grass should be kept trimmed; dry grass and all vegetation should be removed. Vegetation should be removed from gravel beds. All lateral areas, up to the first protection, should be kept clear of any obstruction.
 - (iii) Tyre Buffers/Barriers:
Tyre barriers should be checked for firm location to existing structures and tight attachment together.
 - (iv) Spectator and Debris Fencing:
These fences should be checked regularly for support and tensioning. The fences should be checked for deterioration.
 - (v) Kerbs:
Kerbs must be painted in two colours alternately (recommended colours: red and white).
Kerbs should be continually checked for damage.
Broken kerbs should be repaired/replaced immediately.
 - (vi) Drains and Drainage:
Drains should be cleaned and inspected by the ASN for correct operation prior to major events.
 - (vii) Circuit Demarcation Lines:
All demarcation lines for Track and Pits should be kept clear and clean and preferably repainted prior to major events.
 - (viii) Observation and Vision:
Clear vision should be maintained at all times between consecutive Marshals/Observation Posts/Signalling locations etc. Trees and vegetation should be cleared or trimmed to maintain good vision.

- (ix) **Communications:**
Telephone and other communications should be checked.

b) Stewards Responsibility To Inspect, Approve, Report and Note

- (i) It is the responsibility of Stewards to check that normal routine maintenance has been carried out prior to a Meeting and that the KARM Meeting Check List is completed on each day of the Meeting prior to approving the commencement of any on Track activity.
- (ii) In the event that the Track conditions are not satisfactory, the Stewards **or in the case of a Social Karting Activity, the Social Karting Controller** will not permit practice and/or Competition and/or a Social Karting Activity to commence until the Track is to their satisfaction. The Stewards must report their actions to the Organiser and KA or the SKA.
- (iii) In the event that the Track conditions deteriorate after the KARM Meeting Check List has been completed in accordance with Rule 4a) (i) herein, to the point where the Track conditions are considered to be no longer satisfactory, the Stewards may suspend Competition until the Track is to their satisfaction. The Stewards must report their actions to the Organiser and KA or the SKA.
- b) Stewards Report**
- (i) The Stewards and the Clerk of the Course are to complete a Track inspection report, as part of the Stewards Report, prior to the commencement of Competition.
- c) Circuit Log Book**
- (i) Each Circuit is to have a duplicate log book, to be filled out at every Meeting with the duplicate attached to the Stewards report. This log book will include comments or recommendations on safety upgrades and/or maintenance by the Circuit Inspector, Stewards, Clerk of the Course or Club Officials.
- (ii) This log book is to be kept in the Race Secretary's office or Stewards' room.

5 Baulk Line

- a) All Tracks are to have a bright green coloured line painted across the out-grid lane a minimum of 5 metres back from the Track edge (or appropriate to suit local conditions with approval of the Circuit Inspector).
- b) The Baulk Line signifies the limit to which a Kart may be pushed. Before a Kart crosses this line it must be operating under its own motive power.
- c) Any Kart that does not comply with the requirements in this Rule will be deemed a non-starter for that Competition.

6 Formation Line

- a) A Track will have a red line painted on the Track, at 90 degrees to the Track edge, on a straight section of Track prior to the final corner before the Control Line – the precise position is to be determined by the Circuit Inspector.

7 CIK Starting Grid

- a) Each Track, must be marked in accordance with the CIK Circuit Starting Grid marking requirements as detailed in the KA National Circuit Construction and Safety Guide. The CIK Circuit Starting Grid consists of two (2) 2-metre wide lanes bordered by white lines that are painted for a maximum of 110 metres leading to the Start Line, beginning no earlier than the end of the last corner before the Start Line.

8 Start Line

- a) A white line painted across the Track at 90 degrees to the Track edge, which may also be the Finish Line.
- b) The start line is the primary Control Line.

9 **Finish Line**

- a) A white line painted across the Track at 90 degrees to the Track edge, at the crossing of which by a Kart, timing or other performance criteria are determined.
- b) The finish line is the final Control Line.
- c) The order in which a Kart completes a Race will be judged to this line.
- d) In the case of timed qualifying using electronic means, the start and finish lines will be replaced by the beams or timing loops.

10 **Breakdown Lane**

- a) Where a mechanical breakdown lane is provided it shall be adjacent to the main Track with entry via a deceleration lane from the Track to the Breakdown Lane.
- b) A Breakdown Lane shall be compulsory at National Championship Events.
- c) A Kart is permitted to drive to the breakdown lane for repairs during practice, roll up laps and racing and to re-join the untimed practice or Competition, under the instruction of the Grid Marshal.
- d) A Driver may receive assistance for repairs and restarting while in the breakdown lane.
- e) This area may be subject to Parc Fermé conditions and Karts will be restricted in their speed in the breakdown lane.
- f) If a Kart returns to the breakdown lane for mechanical repairs during the start procedure it may re-join the Race even after the start signal is given.
- g) A Kart may only re-enter the Race with safety and under the direction of an Official.
- h) Where the start line extends across the exit from the breakdown lane, a Kart that has come under starters orders, may start (commence their first lap) in the breakdown lane.
- i) Stopping in the deceleration lane is strictly forbidden.
- j) The breakdown lane may only be used during Competition when specified in the Supplementary Regulations for a Meeting.

11 **Parc Fermé and Paddock**

- a) The Parc Fermé is a restricted area that is under the control of the Chief Scrutineer.
 - (i) The Parc Fermé area will be of sufficient size to accommodate all Karts which are required to be isolated.
 - (ii) The Parc Fermé area will be used for no purpose other than its designated purpose during the Meeting.
 - (iii) A Licence Holder may only enter the Parc Fermé with the prior approval of the Chief Scrutineer or an Official as a representative of the Chief Scrutineer.
 - (iv) Entry to Parc Fermé by a Licence Holder without the prior approval of an Official is a breach of the Rules.
- b) The Paddock area will come under the control of the Officials.
 - (i) All Karts entered for a Meeting shall be accommodated within the defined paddock area whilst not Competing during a Meeting
 - (ii) It is forbidden to drive a Kart inside the boundaries of the paddock area.
 - (iii) Fuel which is stored in the paddock area must be stored in appropriate containers
 - (iv) Kart engines must be stopped prior to refuelling
 - (v) Kart trailers and specialised vehicles are permitted in the paddock area. The parking location of these trailers may be indicated in Supplementary Regulations, or will be in accordance with the instructions of the Officials.
 - (vi) The use of cycles, skateboards, scooters or similar are not permitted in the paddock area during a Meeting.
 - (vii) Smoking, welding or use of any open flame is not permitted within the paddock area.

- (viii) All persons must hold a valid (Government issued) Driver's licence to drive a registered motor vehicle within the perimeter of any KA licensed premises.

12 Safety of Drivers and Officials

- a) All Officials and any other person permitted inside the Circuit must remain behind protective barriers at all times during on Track activity.
- b) The only people permitted inside the Circuit whilst Karts are on a Track are:
- (i) Stewards.
 - (ii) Clerks of the Course.
 - (iii) Flag Marshals - Maximum of two (2) per point.
 - (iv) Starter and Assistant Starter.
 - (v) Medical Attendants.
 - (vi) Authorised persons to assist a Driver.
 - (vii) Photographers and other persons authorised and/or accredited by KA in designated areas at the discretion of the Clerk of the Course and Stewards.
- c) A Driver whose Kart stops on the Track during any session is required to, as soon as possible:
- (i) If they are able, get their Kart to a safe position; and
 - (ii) If they are able, get themselves to a safe position; and
 - (iii) Remain in such safe position until after the end of the session. Once the Driver is positioned in that safe position they are permitted to remove their helmet.
- d) The Clerk of the Course or Stewards may, if necessary, observe racing from a safe location even though a protective barrier may not be in that location. The time spent in this location must be no longer than necessary.
- e) In the absence of a specified protected area, Stewards must remain behind marshal protection whilst Karts are in motion.
- f) When inside the Circuit, a high visibility safety vest must be worn on the upper torso as a Minimum standard. Photographers and other persons authorised and/or accredited by KA are to wear the designated media vest.

13 Radio Communications

- a) At all National Championship, National Series and State Championship Meetings, the officials listed below must be supplied with a radio for communication and a headset/earpiece.
- (i) Stewards
 - (ii) Race Director
 - (iii) Clerk of the Course
 - (iv) Chief Scrutineer
 - (v) Scale Marshals
 - (vi) Flag Marshals
 - (vii) Starter
 - (viii) Grid Marshals
 - (ix) Chief Timekeeper
 - (x) Medical Attendant
- b) At all other Meetings, the officials listed below must be supplied with a radio for communication and a headset:
- (i) Stewards
 - (ii) Clerk of the Course
 - (iii) Scale Marshal
 - (iv) Starter
- c) The provision of a radio for communication and a headset is recommended for all other Officials.

14 Smoking and Welding

- a) Smoking, (including the use of E-cigarettes), welding or use of any open/naked flame, or heating guns/heating devices are not permitted to be used in the paddock.

15 Cleaning Fluid

- a) Petrol is not permitted to be used as a cleaning fluid in the Paddock Area.

16 Temporary Circuit Guidelines

- a) For information referring to Temporary Circuit guidelines contact KA.
 b) All inspection costs are to be the responsibility of the Promoters.
 c) A preliminary permit will be issued pending final Circuit inspection and approval given by the Circuit Inspector for the official permit to be put into place on the day of the Event. Circuit Inspectors are to endorse the Circuit Licence certificate on approval of the temporary Circuit.
 d) Expenses associated with accommodation, meals, travel, etc. for the Circuit Inspector are to be paid by the Promoting Club.

17 Track Density

- a) The table below represents the maximum permitted Track Density that is applicable to a Track where the in grid and out grid can accommodate the specified number of Karts.
 b) A Circuit at which the in grid and or the out grid cannot accommodate the maximum permitted Track Density may have the Track Density reduced to reflect the capacity of the in grid and/or the out grid. The revised Track Density will be noted on the Circuit Licence.
 c)

Track Length (metres)	Track width at narrowest point		
	6 metres	7 metres	8 metres
Less than 500m	20	22	24
500m - 625m	22	24	26
626m - 750m	24	26	28
751m - 875m	28	30	32
876m - 1000m	32	34	36
Greater than 1001m		38	40

- d) KA has the authority to reassess the Track Density of a Track based on the results of a full TRA Circuit and Track inspection conducted by the Safety Risk and Compliance Manager in their capacity as National Track Inspector and/or the Safety Delegate.

18 Wet Track

- a) If the Track is wet at the commencement of Competition, or immediately upon the commencement of rain, the Race Director/Clerk Of Course in conjunction with the Chief Steward will declare the Track Wet and it shall remain a Wet declared Track for the remainder of that day's Competition.

19 Retrieval Vehicles and Trailers

- a) Motorised retrieval vehicles and trailers may be used for the recovery of Karts and Drivers from the Track.

20 Kart On Trolley

- a) It is not permitted to move a trolley carrying a kart while the engine of that kart is running.

Competitions in General

1 Organisation of a Competition

- a) A Competition may be organised in the territory of KA only by:
 - (i) KA;
 - (ii) an SKA;
 - (iii) an affiliated club; or
 - (iv) another person or body approved by KA.

2 Official Documents

- a) For each Competition, the Organiser shall compile and, with the prior approval of KA, publish Supplementary Regulations and, for a National Meeting, a Program. If any condition contained in these official documents **Supplementary Regulations** is contrary to the Rules, it shall be null and void.

3 Supplementary Regulation Format

- a) For details of **KA has prescribed** the specific format of KA Supplementary Regulations **that must be used for a Competition and/or an Organised Social Karting Activity. Proforma Supplementary Regulations for all levels of Competition and Organised Social Karting have been provided to each SKA for use by the Organiser of a Competition or a Social Karting Activity.**
- b) A new set of Supplementary Regulations must be prepared by an Organiser and approved by KA or relevant SKA **for each Competition** before an Organising Permit can be issued for the Meeting.
- c) Approved Supplementary Regulations must be made available to relevant Officials and Competitors.
- d) Article 3.5 of the ISC, under which all Competitions will be conducted, sets out the main information to be included in the Supplementary Regulations. These Supplementary Regulations are to be read in conjunction with the Rules.

4 Announcement to be made on all Official Documents

- a) Supplementary Regulations, program and entry forms relating to any competition shall bear in a conspicuous manner the following announcement: "Held under the International Sporting Code of the FIA and the Rules of Karting Australia."

5 Acquaintance with and Submission to Rules

- a) Each person or group of persons organising a Competition or taking part therein, including but not limited to Competitors, Officials, Promoters, Organiser and a Club:
 - (i) shall be deemed to be acquainted with the Constitution and the Rules;
 - (ii) shall undertake to submit themselves without reserve to the above and to the decisions of KA and to the consequences resulting therefrom; and
 - (iii) acknowledges that the Rules are:
 - made in the best interests of Karting in Australia;
 - necessary and reasonable for the purpose of protecting and promoting karting.

6 Entry

- a) An entry is a contract between a Licence Holder (Entry) and the Organiser.
- b) It binds the Licence Holder to make every effort to take part in the Meeting, except in case of force majeure; and binds the Organiser to fulfil all the conditions of the entry.
- c) Any Entry for a Meeting must be made using a KA Licence in conjunction with the CMS.

- d) Any Entry for a Meeting for any Driver under the age of eighteen (18) years as at the date of the commencement of a Meeting must be made by either:
 - (i) the holder of a valid Senior Driver's Competition Licence and who is over eighteen (18) Years old; or
 - (ii) the holder of a valid Participant's Licence.
- e) An entry must be received prior to the closing of entries for a Meeting.
- f) Payment may be made by any means acceptable to the Organiser provided it is received before the closing of entries.
- g) From the expiration of time for the placement of an entry for a Meeting, a Licence Holder is not permitted to change the Class in which they are entered except in the case of an error having been made by the Organiser or as approved in writing by the Organiser.

7 Entry Containing a False Statement

- a) An Entry which contains a false statement shall be null and void.

8 Insurance

- a) It shall be mandatory upon each Organiser and Licence holder to comply with such requirements regarding insurance as prescribed by KA and its insurers.

Chapter 6

Medical Services and Injury Reporting

1 Qualified First Aid

- a) Qualified First Aid personnel must be in attendance at each Meeting.
- b) It is highly recommended that Qualified First Aid personnel are in attendance on all occasions whilst a Kart is on a Track.

2 Ambulance Attendance at Race Meetings

- a) The Insurer and KA recommend that an Ambulance is in attendance at all Meetings. (i.e. St. John Ambulance or equivalent, according to local law.)

3 Injury Reporting

- a) A person who has been injured at a Circuit is, insofar as they may be able, responsible for ensuring that the incident and their resultant injury is reported in the required manner.
- b) If the Driver as a result of the injuries sustained is unable to submit such injury report, it shall become the responsibility of their next of kin to do so.
 - (i) Any injury which occurs at a Meeting during a Meeting must be reported to the Stewards and the First Aid personnel.
 - (ii) Details of any incident resulting in injury must be entered in the Circuit's Log Book.
 - (iii) Any injury which occurs at a Circuit, outside of a Meeting (e.g.: Practice Day) must be reported to the Club Secretary. The person who has been injured should also seek medical advice.

Officials and their Duties

1 General Duties of Officials

- a) It will be the general duty of all Officials, irrespective of the duties assigned to them and whether appointed by KA, the SKA or the Promoters of any Meeting, to act honestly and in good faith and in accordance with these Rules, including all Policies and procedures of KA and the general interests of the sport of Karting. In particular an Official will be bound by the provisions of these Rules insofar as the Rules may relate to offences that may be capable of being committed by an Official.
- b) No Official is to make any comment to or on any form of electronic media or otherwise, pertaining to any issue arising from a Meeting.

2 List of Officials

- a) The list of Officials whose duty it shall be to direct and control Competitions may include:
 - (i) Stewards
 - (ii) Race Director
 - (iii) Clerks of the Course
 - (iv) Race Prosecutor
 - (v) Race / Competition Secretary of the Meeting
 - (vi) Chief Timekeeper and Timekeepers
 - (vii) Chief Scrutineer and Scrutineers
 - (viii) Fuel Tester
 - (ix) Tyre Tester
 - (x) Scale Marshals
 - (xii) Flag Marshals
 - (xii) Pit Marshals
 - (xiii) Starter
 - (xiv) Grid Marshals
 - (xv) Noise Control Marshal
 - (xvi) Officials Secretary (Steward's Secretary).
- b) They shall be termed Officials and must be a Minimum 16 years of age (unless they are Junior Officials in which case the minimum age requirements and permitted responsibilities will be determined in accordance with the KA Junior Officials Policy.) All Officials, except for Stewards may have assistants to whom any of their duties may be delegated.
- c) All persons seeking to become or to retain their Officials' Accreditation and Licence and that are required by State Legislation to obtain a Working With Children approval must apply for and obtain such approval prior to being issued with a Karting Australia Officials' Licence.
- d) An Official must successfully complete all courses in Karting Australia Online Officials Academy in the officiating discipline/s for which they are accredited or seeking accreditation (including refresher courses) as may be required by KA Policy "P25 Officials Licence Accreditation, Upgrade and Retention Policy".
- e) Each SKA shall be responsible to conduct Officials accreditation course's in accordance with the KA curriculum for Stewards (Event Control), Race Management Officials (Event Command) Clerk of the Course /Race Director and Technical Officials (Scrutineers), Steward's and Scrutineers at least once a year.

- f) An Official must satisfactorily complete an Officials Accreditation course conducted by a SKA biennially, and successfully complete the required courses specified in KA Policy "P25 - Officials Licence Policy" to retain their Official's Accreditation.
- g) An Official residing close to State borders may attend an accreditation course in either State.
- h) Each SKA must appoint a State Officials Coordinator who will be a Grade 2 Official or better. A State Officials Coordinator must be able to officiate as a Clerk of the Course and/or Steward at a Meeting in their own State.

3 **Right of Supervision**

- a) In addition to the Officials above, KA may confer on persons specially qualified, the right to observe any person or body of people promoting or organising or taking part in the promotion or organisation of any Competition within the territory of KA or any person acting as an Official, Competitor or Driver, or any holder of a licence issued by KA in any Competition held in any country whatsoever under the Code.

4 **Essential Officials:**

- a) At all Meetings other than Club and Zonal level Meetings and Endurance Events, the minimum number of essential graded Officials is:
 - (i) A Clerk of the Course who must be Grade 3 or higher.
 - (ii) Two (2) Stewards, where one (1) Steward is the Chief Steward who must be Grade 3 or higher.
 - (iii) A Chief Scrutineer.
 - (iv) A Timekeeper.
- b) The minimum number of essential graded Officials at Club level Meetings is determined by the number Licence Holders entered for the Meeting.
 - (i) Club Level Meetings – Up to 35 Entries
 - 1) A Clerk of the Course who must be Grade 4 or higher.
 - 2) One (1) Chief Steward who must be Grade 3 or higher. (Refer to Chapter 7 Rule 6 c)).
 - 3) A Chief Scrutineer who must be Grade 4 or higher.
 - 4) A Timekeeper.
 - (ii) Club Level Meetings – More than 35 Entries
 - 1) A Clerk of the Course who must be Grade 3 or higher.
 - 2) One (1) Chief Steward who must be Grade 3 or higher. (Refer to Chapter 7 Rule 6 c)).
 - 3) A Chief Scrutineer who must be Grade 4 or higher.
 - 4) A Timekeeper.
 - (iii) Guidance Notes for Clubs and SKA's
 - 1) At the close of pre-entries for a Meeting, if in the opinion of the SKA and/or KA, a Meeting is likely to exceed 35 entries, the Club will be required to comply with Rule 4 b) ii) above.
 - 2) If Guidance Note 1) does not apply but at the commencement of the Meeting, there are more than 35 but less than 43 Licence Holders entered for the Meeting, then at the discretion of the Chief Steward, it may be permitted to conduct Competition in accordance with Rule 4 b) i) above but with the assistance of an additional Clerk of Course who must be Grade 4 or higher.
 - 3) It is important that all SKA's and Clubs recruit, train, recognise and reward Officials and in so doing, encourage them to progress through the Official's Licence Grading process so that they can then take on higher duties within their Club and State.
- c) At all Endurance Events, the Minimum number of essential graded Officials must be:
 - (i) A Clerk of the Course.
 - (ii) Two (2) Stewards, where one (1) Steward is the Chief Steward.

- (iii) The Clerk of the Course and Chief Steward must be Minimum Grade 3; the second Steward may be a Grade 4 or higher.
- (iv) A Chief Scrutineer who must be Grade 4 or higher.
- (v) A Pit Marshal.
- (vi) A Refuelling Marshal.

5 Nomination of Officials

- a) The Stewards and the Clerk of the Course will be responsible to KA and nominated by the SKA. All Officials, other than the Stewards and Clerk of the Course, shall be appointed by the Organisers and approved by KA.
- b) At any National or above level Meeting held within the territory of KA, the Stewards, Race Director and/or Clerk of the Course and Chief Scrutineer shall be appointed and approved by KA.
- c) KA, in its sole discretion may delegate this authority to another body or entity.

6 Plurality of Duties

- a) At National Meetings and State Championship Meetings plurality of duties of essential Officials is not permitted. At all other Meetings it is recommended that plurality of duties is not undertaken by any Official.
- b) At no time may a Steward of the Meeting perform more than one duty.
- c) At a Club level Meeting, any other Official may act as a Steward for the purpose of the conduct of a Steward's Hearing provided that the Chief Steward shall perform the duties of Chairman for the Hearing. Such other Official must not be a Competitor who is directly affected by the decision of the Stewards.

7 Separation of Duties

- a) An Official shall not, at any Meeting, perform any duties other than those which are clearly attached to their appointment or appointments. An Official shall not be eligible to compete in any Competition at a Meeting at which they are acting as an Official, except as permitted by these Rules.
- b) At a Club level Meeting, a Competitor may act as an Official, except the Clerk of the Course, Chief Steward or Chief Scrutineer provided it is announced at the Driver's briefing and the Competitor is not responsible for any official documentation, except as permitted by these Rules and providing they possess the appropriate accreditation.
- c) At Club level Meetings, where there are less than 50 entries, a Competitor may act as any Official except Chief Steward or Clerk of the Course, providing they possess the appropriate accreditation.

8 Remuneration of Officials

(Refer to the KA Travel Policy and the KA Expense Reimbursement Policy)

- a) All Officials at any Meeting shall act in an honorary capacity.

9 National Stewards Panel

- a) The National Stewards Panel shall have the same authority as the Stewards with additional powers as outlined in this Rule.
- b) The National Stewards Panel will have extended powers to deal with any matters that arise between Meetings in accordance with these Rules.
- c) The National Stewards Panel may commence a Hearing upon referral to them by KA of any matter in accordance with the Rules.
- d) Three (3) Stewards shall be present at all Hearings conducted by the National Stewards Panel.
 - (i) At least one (1) member of the National Stewards Panel must be available to Chair any Hearing.

- (ii) Should a member or members of the National Stewards Panel be unavailable, the remaining member or members of the panel will fill the position with another suitably qualified Steward.
- e) The National Stewards Panel may hear any matter in their absolute discretion at any time in accordance with the authority given to them by these Rules.
- f) The National Stewards Panel shall be empowered as follows:
 - (i) To conduct a Hearing or investigation into any matter as a result of a Meeting which was not able to be commenced or to be completed at the Meeting and that was referred to them by KA.
 - (ii) To conduct a Hearing or investigation into any matter that may constitute a breach of the Rules and that was referred to them by KA.

10 Appointment of Chief Steward of a Meeting

- a) When KA has appointed one or more of the Stewards, such Steward, or if more than one has been appointed by KA, a Steward appointed from that group shall act as the Chief Steward.
- b) In the case of equality of votes amongst all the Stewards, the Chief Steward shall have a casting vote. If the judgement cannot be given immediately after the hearing of the parties, they must be advised of the time and place at which the decision will be given.
- c) The Stewards and/or Clerk of the Course may use an Officials secretary to complete paperwork at a Meeting.

11 Authority of the Stewards of the Meeting

- a) The Stewards of the Meeting shall have authority to enforce compliance with the ISC, these Rules including the Supplementary Regulations any Addendum's and Bulletins issued, the program, and the instructions to Drivers (if any), and to adjudicate upon any dispute or complaint arising during the Meeting subject to the rights of appeal provided by these Rules and in particular shall have power in accordance with these Rules to:
 - (i) Keep order in conjunction with the civil authorities as have undertaken the policing of the Meeting and who are especially responsible for public safety.
 - (ii) Decide what penalty to apply for a breach of these Rules.
 - (iii) Recommend that a penalty of Suspension of a Licence Holder be imposed by a Tribunal or AMSAC as appropriate
 - (iv) Amend the Supplementary Regulations in exceptional circumstances.
 - (v) Alter the composition of or consolidate Heats.
 - (vi) In the event of a dead-heat or tie on points, authorise a resolution in accordance with these Rules.
 - (vii) Accept a correction made by a Judge of Fact. A decision of a Judge of Fact may be altered after consultation between the Chief Steward and the Judge of Fact.
 - (viii) Amend placing's and awards in accordance with these Rules.
 - (ix) Prohibit from competing any Driver who, or any Kart which they consider to be dangerous, or is reported as such by the Clerk of the Course or a Scrutineer.
 - (x) Disqualify from one or more Competitions or for the duration of the Meeting any Licence Holder whom they consider to be or who is reported to them by the Clerk of the Course or Promoters, to be ineligible to take part therein or whom they consider guilty of misbehaviour or unfair practice.
 - (xi) Disqualify from the Track and its precincts any Licence Holder who refuses to obey the order of a responsible Official.
 - (xii) Postpone or alter the conditions of a Competition for reasons of safety or Force Majeure.
 - (xiii) Alter the programme at the request of the Clerk of the Course or the Promoters where necessary to ensure reasonable safety for Drivers, Officials and spectators.

- (xiv) Appoint a temporary substitute or substitutes to replace any Steward or Stewards not able to perform their duties. Such power shall be exercised by the remaining Steward or Stewards and shall be used to ensure that there are always at least two (2) Stewards.
- (xv) Use any video or electronic systems to assist them in reaching a decision.
- (xvi) Approve the commencement of a Competition/s.
- (xvii) In exceptional circumstances, take the decision to stop / abandon / re-run a section of an Event when permitted by the Rules.
- (xviii) Settle any issue which might arise during a Meeting, subject to the 'Right of Appeal' in accordance with these Rules.

12 The Stewards of the Meeting to Report

- a) The Stewards are not in any way responsible for the Organising of the Event and in carrying out their duties do not incur any responsibility other than to KA and in the case of State level Meetings and below, to the SKA that issued the Organising Permit for the Event.
- b) As soon as practicable, but no later than five (5) days after the conclusion of a Meeting, the Stewards shall, with the help of information provided by the Clerk of the Course, compile, sign and send a report giving the results of each Competition together with particulars of all Protests lodged, action taken thereon, Hearings, Penalties imposed, together with any recommendation in respect of such cases.
- c) The report shall also contain the Stewards general comments on the organisation of the Meeting and the exercise of their own powers in relation thereto, and any other observations as to the conduct of the Meeting which they consider should be made to KA as the authority under whose permit the Meeting was held.
- d) Any Notices of Intention to Appeal and Appeal fees received in accordance with these Rules must be submitted as a part of this report.
- e) For each National level Meeting the Stewards Report must be submitted to KA.
- f) For each State level Meeting and below the Stewards report must be submitted to the relevant SKA.
- g) The Stewards Report is not, under any circumstances permitted to be left in the possession of the Club or the Organisers of the Meeting.

13 Powers of KA following the Stewards of the Meeting' Report

- a) If it appears to KA from the Stewards Report or otherwise that a mistake has been made during Competition or that the results of a Competition have been improperly or incorrectly made out, KA shall be entitled to inquire into the matter, and, after giving the interested parties an opportunity to be heard, make such order as it deems proper, even though no Protest or Appeal may be outstanding. Provided that no such inquiry shall be ordered after the expiration of 60 days after the publication of the results.

14 Duties of the Race Director

- a) A Race Director will be a suitably qualified person appointed by KA to the National Championship, National Series and/or National Cup level Meetings whose responsibility it is to maintain continuity of sporting activity management at the Event.
- b) The Race Director will in addition to having the powers of the Clerk of the Course, have the control of the running of Practice, Qualifying and Races.
- c) The Race Director shall direct the Clerk of the Course as may be appropriate.
- d) The Race Director shall respect the time schedule and if they deem it necessary make any proposal to the Stewards to modify the time schedule in accordance with the Rules and the Sporting Regulations.
- e) The Race Director shall have specific responsibility to:

- (i) Stop any Kart in accordance with the Rules and the Sporting Regulations;
- (ii) Stop or neutralise the running of Practice, Qualifying or of the Race in accordance with the Rules and the Sporting Regulations if he deems that it would be dangerous to continue them, and ensure that any new start is given in accordance with the Rules.
- (iii) Authorise or conduct the Start procedure.
- (iv) Conduct the briefing.
- (v) If it necessary for their duties to differ from the above, these duties will be set out in the relevant Sporting Regulations and/or Supplementary Regulations.

15 Duties of the Clerk of the Course

- a) In the case of a Meeting comprising several Competitions there may be a different Clerk of the Course for each Competition. The Clerk of the Course is responsible for the general conduct of the Meeting in accordance with the Supplementary Regulations, Program and Organising Permit, and, in particular, shall:
- (i) Ensure that sufficient appropriately qualified Officials are present for the conduct of the Meeting, and report any deficiencies to the Chief Steward of the Meeting.
 - (ii) Ensure that all Officials are provided with the information and equipment necessary for carrying out their duties.
 - (iii) Before the commencement of untimed practice / Competition, instruct the drivers of the ambulance and pick-up vehicle/s not to move their vehicles inside the Circuit whilst Karts are in motion.
 - (iv) Control Licence Holders and their Karts and prevent any ineligible Licence Holder or Kart from taking part.
 - (v) Send the Karts to the start in their right order and, if necessary, start them.
 - (vi) Convey to the Chief Steward of the Meeting any proposal to modify the programme.
 - (vii) Convey to the Chief Steward of the Meeting any report that deals with the misbehaviour of, or breach of Rule by, a Licence Holder.
 - (viii) Receive Protests from Licence Holders and immediately transmit them to the Stewards.
 - (ix) Provide the information necessary to enable the Chief Steward of the Meeting to compile their report.
 - (x) Obtain the approval from the Chief Steward of the Meeting to commence practice / Competition/s.
 - (xi) Constantly liaise with the Stewards in order to ensure the smooth running of each Event.
 - (xii) Collect the reports of the Medical Officer for delivery to the Stewards.
- b) One or more Clerks of the Course may be appointed to occupy posts along the Track. They shall immediately report by any means at their disposal all incidents and accidents which occur on the section of the Track for which they are responsible. The Clerk of the Course may request a written report of all incidents noticed by the Clerks of the Course occupying posts along the Track.

16 Duties of the Race / Competition Secretary of the Meeting

- a) The Secretary of the Meeting shall be responsible for the organisation of the Meeting as regards all material and notices required in connection therewith. They shall satisfy themselves that the various Officials are acquainted with their duties and are furnished with the necessary equipment and issue armbands or a form of identification designating their status at the Meeting. If necessary they shall assist the Clerk of the Course in the preparation of the information required for the Stewards Report.

17 Duties of the Chief Timekeeper and Timekeepers

- a) The duties of Chief Timekeeper shall include:
- (i) At the commencement of the Meeting to report to the Clerk of the Course for instructions.
 - (ii) To start the timing of Competitions if so instructed by the Clerk of the Course.
 - (iii) To use the timing equipment in accordance with the Rules.

- (iv) To oversee the timing of each Competition in accordance with the Rules.
- (v) Declaration of times taken in order to compile the results of each Competition.
- (vi) To prepare and sign timing reports and to send them, with all necessary supporting documents, to the Clerk of the Course.
- (vii) To send on request their original time sheets either to the Stewards or to KA.
- (viii) To communicate any times or results only to the Stewards and the Clerk of the Course or in accordance with their instructions.
- (ix) Chief Timekeeper shall be Judge of Fact as to confirm and register times and results as are appropriate.

18 Duties of Chief Scrutineer and Scrutineers

- a) The Chief Scrutineer and Scrutineers are generally responsible for ensuring compliance of each Kart and associated equipment including apparel with the Rules.
- b) The functions of Chief Scrutineer, Scrutineers, Fuel Tester, Scale Marshal, Tyre Tester and Noise Control Marshal may be combined at the discretion of the Chief Scrutineer.
- c) The responsibilities of the Chief Scrutineer shall include:
 - (i) Make inspections before, during or after a Meeting.
 - (ii) At the commencement of a Meeting report to the Clerk of the Course.
 - (iii) Use only such measuring instruments and/or procedure as may be specified or approved by KA or as deemed necessary by the Chief Scrutineer to determine compliance.
 - (iv) Communicate official information only to KA, the Organisers, the Stewards and the Clerk of the Course.
 - (v) Prepare the relevant information from their inspections and forward to the Stewards or the Clerk of the Course as may be appropriate.
 - (vi) The Chief Scrutineer shall be Judge of Fact and will determine any breach of:
 - a. Australian Kart Formula Rules 5, 6, 7, 8 a), b), c), d), e), f);
 - b. Parc Fermé Rules;
 - c. Unauthorised entry into Parc Fermé;
 - d. Engine and Chassis Sealing Rules;
 - e. Tyre Rules;
 - f. Noncompliance on the grounds of safety.

19 Duties of Flag Marshals

- a) Flag Marshals are Officials appointed to give signals by flags and/or lights to the Competitors in accordance with the signals described in these Rules and consistent with the instructions of the Clerk of the Course and/or the Race Director.

20 Duties of Judges

- a) The Judges of Fact at each Meeting are the Starter, Chief Timekeeper Scale Marshal, Fuel Tester, Tyre Tester, Grid Marshal, Noise Control Marshal and Chief Scrutineer.
- b) Any other Judges of Fact will be specified in the Supplementary Regulations any Addendum's and Bulletins issued.
- c) Each Judge may have an assistant or assistants appointed to assist them, or in the case of absolute necessity, to replace them but in the event of disagreement, the final decision shall be given to the Judge of Fact themselves.
- d) A Judge of Fact has the responsibility of determining if a 'fact' – an incident, act, action, event or circumstance has happened.
- e) In a Competition in which a decision has to be made as to whether or not a Competitor has touched or crossed, or as to any other fact laid down in the in the Supplementary Regulations or in any applicable Rules for the Competition, one of several judges of fact shall be approved by the Stewards, upon proposal of the Organiser, to be responsible for one or several of these decisions.

f) Summary of Judge of Fact Duties.

	Judge	Facts to be Determined & that are not Subject to Protest or Appeal	
General Rules Chapter 17	Chief Timekeeper	Timing of Competitions	
		17 (a) (v)	Declaration of times taken in order to compile the results of a Competition
		17 (a) (ix)	Confirmation and register of times and results from a Competition
Competition Rules Chapter 1	Starter	Starting and Ending of Race/Session	
Competition Rules Chapter 2		Rule 22	Starting a Race – Breach of any of the provisions of Rule 22
		Rule 4 n)	End of Race – Return directly to Parc Fermé
Competition Rules Chapter 1	Grid Marshal	Marshalling and Controlling Karts until they are “in the Starter’s Hands”	
		Rule 14 a), b)	Restarting a Kart that failed to start before reaching the Baulk Line
		Rule 21 i)	1 Lap to clear the grid after the first kart has crossed the Baulk Line
		Rule 21 l)	Closing the grid gate when 1 lap has elapsed in accordance with Rule i)
		Rule 21 j)	Drivers leaving the grid in an orderly manner
Technical Rules Chapter 5		Rule 7 e)	Starting a kart engine in the out grid
General Rules Chapter 7 Rule 18 (c) vi)	Chief Scrutineer	Australian Kart Formula	
		Rule 5	Ballast
		Rule 6	Materials
		Rule 7	Specific Non-permitted Items
		Rule 8 a)	Chassis – Frame
		Rule 8 b)	Chassis – Seat
		Rule 8 c)	Chassis – Wheels and Axles
		Rule 8 d)	Chassis – Maximum Dimensions
		Rule 8 e)	Chassis – Wheelbase
Rule 8 f)	Chassis – Track Width		
General Rules Chapter 4		Parc Fermé	
		Rule 11 a)	Parc Fermé Rules
		Rule 11a) (iv)	Unauthorised entry into Parc Fermé
Technical Rules Chapter 1		Safety	
		Generally, and Rules 2, 4	Non-compliance on the grounds of safety
<i>Table continued...</i>			

Table continued...			
Technical Rules Chapter 6	Chief Scrutineer	Scrutineering and Technical Conformity	
		Rule 1 c) (viii) Rule 5	Engine and Chassis Sealing Rules
		Rule 2	Non-compliance on the grounds of safety
		Tyres	
Technical Rules Chapter 4 Chapter 6		Tyre Testing	Tyre Rules
Technical Rules, Chapter 3	Fuel Tester / Chief Scrutineer	Fuel Testing	
		Rule 6	To ensure all Fuel conforms to the requirements of a KA permitted fuel
Technical Rules, Chapter 6	Tyre Tester / Chief Scrutineer	Tyre Testing	
		Rule 13	To ensure all Tyres are used as supplied and without the use of illegal agents or solvents
General Rules Chapter 7	Scale Marshal / Chief Scrutineer	Responsible for weighing and recording the weight of each of the Karts and Drivers	
		Rule 24 b)	Judge of Fact as to measure the weight of any Kart and Driver at the completion of any section of any Event
Technical Rules Chapter 5	Noise Control Marshall / Chief Scrutineer	Monitoring Engine Starting in the Paddock	
		Rule 7 e)	To ensure that a Kart engine does not exceed the maximum permitted starting time of 10 seconds while in the Paddock. To ensure that Kart engines are not started other than in a permitted area.
		Rule 7 a)	To ensure that a Kart engine is not started in contravention of the Supplementary Regulations
General Rules Chapter 7		Monitoring and reporting on noise levels of all Karts	
		Rule 27	Noise level recorded by any individual Kart must not exceed the maximum permitted level specified in Technical Rules, Chapter 5 Rule 2 or Supplementary Regulations.
Technical Rules Chapter 1	Front Fairing Official / Chief Scrutineer	Front Fairing Fitment – Championship Level	
		Rule 8 g) (iii)	Correct fitment of the front fairing at the end of a Race

- g) No Protest or Appeal may be made against the decision of a Judge of Fact which shall be accepted as final unless corrected as herein after provided. The finding, though final as regards the fact decided, shall not constitute a statement of results because it will not have taken into account the conditions under which the Karts have completed a Competition.
- h) The Stewards may use any video or electronic systems to assist them in reaching a decision.
- i) If any Judge considers that they may have made a mistake they may correct it, subject to this correction being accepted by the Stewards.
- j) The Judges of Fact must be named and their names displayed in the Supplementary Regulations and/or on the official notice board.

21 Duties of the Starter

- To signal the start of Competition in a manner that is fair for all Drivers.
- To signal Drivers with flags and boards as required by these Rules.
- Signalling the end of a Competition.

- d) To report to the Stewards, and/or Clerk of the Course any Licence Holder whose conduct, before the commencement of the Race, is not satisfactory.
- e) The Starter shall be a Judge of Fact and will determine any Driver who:
- (i) is in breach of Competition Rules, Chapter 1 Rule 22; or
 - (ii) After having been shown the Chequered flag and then having cleared the finish line, does not proceed directly to Parc Fermé in accordance with Competition Rules, Chapter 2 Rule 4 n).

22 Duties of the Pit/Paddock Marshals

- a) The Pit/Paddock Marshal shall be responsible for the general organisation, layout and control of the pit/paddock area.

23 Duties of the Grid Marshals

- a) The Grid Marshal shall be responsible for the marshalling of the Karts in their correct grid positions, controlling Karts until such time as they are placed in the hands of the Starter and at all times to co-operate with the Pit/Paddock Marshal.
- b) The Grid Marshal shall be Judge of Fact and will determine any Driver who is in breach of:
- (i) Competition Rules Chapter 1 Rule 14 a) and b)
 - (ii) Competition Rules Chapter 1 Rules 21 i), 21 l) and 21 j)
 - (iii) Technical Rules Chapter 5 Rule 7 e)

24 Duties of the Scale Marshal

- a) The Scale Marshal shall be responsible to the Chief Scrutineer.
- b) The Scale Marshals shall be responsible for weighing and recording the weight of each of the Karts and Drivers in accordance with these Rules.
- c) All Drivers must weigh to the scales of the day.
- d) Should a Driver fail their first test they may request one (1) additional test.
- e) The Scale Marshal shall be Judge of Fact as to measure the weight of any Kart and Driver at the completion of any section of any Event.

25 Duties of the Tyre Tester

- a) The Tyre Tester shall be responsible to the Chief Scrutineer.
- b) The Tyre Tester shall be a Judge of fact and will determine compliance by a Competitor with Technical Rules, Chapter 6 Rule 13.

26 Duties of the Fuel Tester

- a) The Fuel Tester shall be responsible to the Chief Scrutineer.
- b) The Fuel Tester shall be a Judge of Fact and will determine compliance by a Competitor with Technical Rules, Chapter 3 Rule 6.

27 Duties of the Noise Control Marshal

- a) The Noise Control Marshal shall be responsible to the Chief Scrutineer.
- b) The Noise Control Marshall shall be Judge of Fact **and will determine any Driver who is in breach of**
- (i) The noise level recorded by any individual Kart and compliance with Technical Rules Chapter 5, Rule 5 d).**
 - (ii) Technical Rules Chapter 5, Rule 7a).**
- c) The Noise Control Marshall shall be responsible for monitoring and reporting on noise levels of all Karts in accordance with these Rules.

28 Duties of the Race Prosecutor

- a) **KA and** each SKA may appoint one or more Race Prosecutors. The Race Prosecutor's principal role is to act on the instructions of the Officials at a KA sanctioned Meeting and appear at a Steward's hearing on behalf of Officials of the Meeting, as their Advocate. **Instructions are to be provided by either the Clerk of the Course, the Race Secretary or the Chief Scrutineer.** Refer to the policy document, available from the National Office or at www.karting.net.au.

29 Other Official Positions

- a) The preceding Rules outline the type and duties of Officials who direct and control Competitions at KA sanctioned Meetings.

- b) The following Rules outline the type and duties of Officials who may be required for KA's judicial process to function.
- (i) State Prosecutor:
 - Each SKA may appoint one or more State Prosecutors. The State Prosecutors principal role is to act on the instructions of the SKA and appear on its behalf in Disciplinary Tribunals and Appeal Tribunals, as their Advocate. Refer to the policy document, available from the National Office or at www.karting.net.au.
 - (ii) State Tribunal Registrar:
 - Each SKA may appoint a State Tribunal Registrar. The principal role of a State Tribunal Registrar is to ensure that the State Tribunals function in an efficient and proper manner and that the Tribunal rules are complied with.
 - The office of State Tribunal Registrar is an administrative position, not a judicial position. Refer to the policy document, available from the National Office or at www.karting.net.au

30 Officials Licence Accreditation Upgrade Procedure

- a) The Officials Licence accreditation procedures have been implemented to clearly define the prerequisites required to retain or upgrade an Officials Licence. The accreditation procedures are available from the National Office or at www.karting.net.au.
- b) An Official may hold different licence levels for different disciplines of officiating at any one time (e.g. they could be a Level 1 Clerk of the Course and also a Level 3 Steward.)
- c) Recognition of Prior Learning / Experience may only be considered if all stated relevant licence requirements can be proven to have been met, and will be assessed by the **National Officials Coordinator** or the relevant SKA and State Officials Coordinator.

31 Officials Licence Accreditation Downgrade, Suspension or Revocation Procedure

- a) A licence downgrade, suspension or revocation must only relate to either of the following;
 - (i) Failure to adequately and competently perform the duties required for their appointed position and current licence grading at any KA event, and/or;
 - (ii) Failure to successfully officiate at the Minimum number of Meetings required to retain their current licence grading, unless approved by the relevant State Officials Coordinator and/or the National Officials Coordinator by prior arrangement.
- b) A SKA may elect to, suspend or revoke an Officials Licence from recommendation by the relevant State Officials Coordinator for a maximum period of two (2) months, once the nominated Official has been afforded the right to be heard by the SKA.
- c) KA may elect to, suspend or revoke an Officials Licence if, in its absolute discretion, it considers that the official has failed to perform their duties in accordance with Rule 29 a) (i) or upon receipt of a recommendation by the relevant SKA, or the National Officials Coordinator or the National Technical Commissioner for a period of time exceeding two (2) months, once the nominated Official has been afforded the right to be heard by KA.
- d) Any action to, suspend or revoke the licence of an Official must take place within a reasonable period of time.
- e) Officials cannot be represented by an Advocate.
- f) Any appeal from these proceedings disciplining Officials can only be made in writing to KA. Such Appeal must be received within two (2) weeks of receipt of the written notification of, suspension or revocation of the Official's Licence. Upon receipt it will be referred to the KA Tribunal for determination.
- g) The process of downgrading an Official's Licence as a result of failure to successfully officiate at the required number of Meetings to retain their current licence grading will automatically take place unless prior arrangements have been made with the State Officials Coordinator and/or the National Officials Coordinator. This process is not subject to protest or appeal.
- h) When an Officials Licence is downgraded the process to upgrade must begin from the level downgraded to, unless otherwise instructed by KA.
- i) When an Officials Licence is Suspended or revoked for more than two (2) months, the process to upgrade must begin from the level downgraded to, unless otherwise instructed by KA.

Offences**1 Breaches of the Rules**

- a) A person subject to these Rules may be dealt with by the Stewards of the Meeting and/or the National Stewards Panel and/or a Tribunal if that person breaches any of the Rules.

2 Extent of Jurisdiction

- a) The Stewards of the Meeting and/or the National Stewards Panel and/or a Tribunal shall have jurisdiction to conduct a Hearing into any alleged breach of the Rules.

3 Responsibility for Offences

- a) A person will be liable for a breach of the Rules if the Stewards and/or a Tribunal determine that the act or omission constituting the breach of the Rules was committed, or was attempted to be committed:
- (i) by the offender in person; or
 - (ii) by another person who was counselled or procured by the offender to do, or attempt to do, the act or make the omission; or
 - (iii) by another person who counselled or procured the offender to do, or attempt to do, the act or make the omission; and this Rule and each of the offences in these Rules will be construed and interpreted accordingly.
- b) The Competitor will be responsible for all acts or omissions on the part of their Drivers, team personnel and Participants, and each of these will be equally responsible for any breach of these Rules. (Refer to General Rules Chapter 1 Rules 5 G, H (iii).)

4 Application

- a) These Rules apply to anything done or not done by any Competitor, Driver, Licence Holder, Member, Participant or any other person bound by these Rules.
- (i) on any land occupied or used by any Kart Club
 - (ii) at any temporary Circuit
 - (iii) at any Meeting of any Kart Club, SKA, Karting Tribunal or motor sport appeal Court
 - (iv) in connection with any Karting Competition
 - (v) having a nexus to Karting.
- b) In proceedings before a Tribunal or the AMSAC, any reference in a Rule to the opinion of the Officials must be taken as a reference to the opinion of that Tribunal or the Court, as the case may be.

5 Offences

- a) Actual Physical Contact
- (i) A person must not intentionally make physical contact, which includes any type of assault with another person, except in self-defence.
- b) Alcohol and Prohibited Substances
- (i) Each Licence Holder, Member, Pit Crew, Official, employee and contractor of KA are required to comply with the provisions of the following Policies, details of which can be found at www.karting.net.au.
 - KA Anti-Doping Policy - The control of prohibited substances is regulated by KA's Anti-Doping Policy
 - KA Alcohol Policy - The consumption of Alcohol is regulated by KA's Alcohol Policy

- KA Breath Alcohol Testing Policy - Breath Testing for Alcohol is regulated by KA's Breath Alcohol Testing Policy.
 - (ii) Tests may be carried out on persons at any time during any activity undertaken under the control of an Organising Permit.
 - (iii) A Licence Holder, Member, Pit Crew or Official who, in the opinion of the Stewards, is affected by alcohol, medication, drugs or any other cause will be Disqualified from the Meeting. The Minimum penalty for unauthorised use of medication or other item is Disqualification from the Meeting.
- c) Bribery
- (i) A person must not offer to bribe, or accept a bribe from, any other person.
- d) Conduct Prejudicial
- (i) A person must not do any act, make any omission or engage in any conduct which includes words which is or may be reasonably
 - seen as being prejudicial to the interests of any Meeting, or
 - likely to bring the sport of karting into disrepute.
- e) Damage
- (i) A person must not do any act or make any omission which is objectively likely to, or does actually, cause damage to the property of any other person.
- f) Duty of Care
- (i) A person has breached this Rule if that person does any act or makes any omission which
 - having regard to all the circumstances is negligent, and
 - causes or is reasonably likely to cause, any personal injury or damage to property.
- g) Fail to Attend
- (i) A person who fails to attend a Hearing, or any Appeal Court Hearing, of which they have been given notice and are required to attend has breached this Rule.
- h) Fail to Give Evidence
- (i) A person who fails to give evidence at, or submit to examination by, a Hearing or at any Court hearing an Appeal has breached this Rule.
- i) Fail to Pay
- (i) A person who fails to pay any monies owing to KA and/or a SKA within forty eight (48) hours of such monies falling due.
- j) Fail to Obey
- (i) A person who fails to obey the proper directions or instructions of any Official appointed to a Meeting has breached this Rule.
- k) False Information
- (i) A person must not give any evidence or information in any form which the person knows, or ought objectively to know, to be false or misleading to
 - KA; or
 - a State Association; or
 - an Official; or
 - a Hearing, or
 - a Court hearing an Appeal.
- l) Fraudulent Misrepresentation
- (i) A person must not fraudulently misrepresent, either verbally or in writing, any information which is likely to either mislead or deceive KA, a State Association, a person authorised by KA, Motorsport Australia or the ISC to receive that information.
- m) Intimidation, Abuse and Threats - **Contempt**
- (i) A person must not by words, acts, or omissions;
 - abuse, intimidate, abuse or threaten any other person; or

- after having been warned not to do so, act with Contempt towards an Official or a Hearing by wilfully disobeying a Warning and/or conducting themselves in an openly disrespectful, abusive, intimidating, or threatening manner towards the Official/s and/or a Hearing.

Explanatory Note

Acting with Contempt towards an Official, the Stewards and/or a Hearing is an act which has the tendency to interfere with or undermine the authority, performance, dignity or integrity of the Officials and/or a Stewards Hearing.

Examples include but are not limited to abusing or swearing at a Steward; videoing or recording an Official or Stewards or witnesses or any party to a Hearing with a view to intimidation; refusing to leave a room, area, or location including the Stewards Room when directed; refusing to conduct themselves in an appropriately respectful manner in a Hearing.

- n) Regulations and Bulletins
- A person must comply with all provisions of all Supplementary and any Further Supplementary Regulations, Addendums, instructions and Bulletins; and any breach of any such provisions will be dealt with under these Rules as if the relevant provisions were part of the Rules.
- o) Vilification
- A person must not engage in conduct amounting to vilification of, or discrimination against, any person on the basis of their gender, Race, religion or sexual orientation.
- p) Technical Ineligibility
- Definition: Eligible Karts are those complying with these Rules and the specific Class Rules in which the Kart is Competing. The presentation by a Competitor of a Kart will be deemed an implicit statement of conformity with all the Rules.
 - Offence: A Competitor must not submit an ineligible Kart, nor breach the provisions of these Rules including the specific Class Rules in which they are Competing.
- q) Directions of Officials
- A Competitor including the Driver and/or Team Members must obey the directions (however given or transmitted) of any appointed Official of the Meeting.
- r) Policies and Procedures
- A person who acts contrary to, or breaches the provisions of any Policy or Procedure of, or endorsed by KA will be in breach of the Rules.
- s) Advertising, Signs and Writing
- A person must not breach the Advertising, Signs and Writing Rules.
- t) Social Media Policy and Acceptable Use Of Social Media Policy
- A person must not engage in conduct at any time that amounts to a breach of the KA Social Media Policy or the KA Acceptable Use of Social Media Policy.
- u) Misconduct
- Ordinary Misconduct: A person who engages in improper, unacceptable or disrespectful behaviour will be in breach of the Rules.
 - Serious Misconduct: A person who engages in deliberate or wilful behaviour that is improper **and/or intimidatory, and/or unacceptable and/or disrespectful**, or that causes serious risk to the health and safety of a person or to the reputation of karting will be in breach of the Rules. **For the sake of clarity, conduct that is serious misconduct includes but is not limited to: theft, wilful and serious damage of someone else's property, extreme abuse of an Official, assault of an Official.**

Penalties

1 Applicable Penalties

- a) The Stewards and/or a Tribunal may impose any Penalties set out in the Rules or the ISC save that if they should find a person guilty of a breach of Chapter 8 Rule 5 d) they shall refer the facts of the matter and their findings along with their considerations on the matter of Penalty to KA for further consideration and the imposition of such Penalty as KA shall determine to be appropriate.

2 Hearing on Penalty

- a) Where the Stewards and/or a Tribunal have found a breach of the Rules, before imposing any Penalty they shall give the:
- Licence Holder the opportunity to make submissions on Penalty, including any mitigating circumstances; and
 - Clerk of the Course, or their representative, the opportunity to make representation and submissions on the subject of Penalty.

3 Take into Account

- a) The Stewards and/or a Tribunal must take into account the following factors before imposing any penalty:
- Whether the Licence Holder made an early admission of a breach of the Rules or whether they found against the Licence Holder following a Hearing.
 - If the Licence Holder is a member of a multi-kart team or group, whether the breach assisted another team member to gain any advantage.
 - Any other aggravating or mitigating factors.
 - The table of Recommended Minimum Penalties and the ISC.
 - Any previous breaches of the Rules, and a breach of the same Rule within 2 years before, may result in an increased Penalty.
 - Submissions made as to penalty by the Clerk of the Course or their representative.

4 Reasons

- a) The Stewards and/or a Tribunal may, but will not be obliged to, give reasons for the imposition by them of any penalty.

5 Multiple Penalties

- a) The Stewards and/or a Tribunal may impose one or more of the specific penalties applicable under these Rules.

6 Other Penalties

- a) In addition to the table of Recommended Minimum Penalties the Stewards and/or a Tribunal may impose any of the following Penalties:
- Verbal Warning;
 - Written Reprimand;
 - Fine a Licence Holder:
 - The Stewards may **not** impose a Fine up to **greater than** \$1,000
 - Deletion of a Driver's qualifying lap/s;
 - Relegate a Competitor or Driver:
 - to the rear of a starting grid;
 - by a number of **starting** grid positions;
 - to the rear of a starting grid with a time Penalty for a Race at the Meeting or at the next Meeting or Meetings.

- (vi) Demote a Competitor or Driver from the finishing order of a Race to a lesser finishing order of the Race by amending the results of an Event and/or imposing a time penalty expressed in minutes and/or seconds;
 - (vii) Time penalty or Lap penalty;
 - (viii) Drive Through Penalty or Stop/ Go Penalty (Endurance Event only);
 - (ix) Where applicable, deduct series points from a Competitor with a consequent forfeiture any relevant awards (whether of prize money or of trophies) to which that Driver and/or Competitor may otherwise have been entitled;
 - (x) Disqualify a Licence Holder from a particular section of an Event **that has been completed**;
 - (xi) Disqualify a Licence Holder from an Event;
 - (xii) Disqualify a Licence Holder from a Meeting;
 - (xiii) Recommend to KA and/or a Tribunal that a Licence Holder be Suspended;
 - (xiv) Another penalty deemed appropriate in the circumstances.
- b) Any of the above Penalties can only be inflicted after an Infringement Notice has been accepted by the Licence Holder or following a Hearing. In the case of Suspension or Disqualification, the party concerned must be summoned to give them the opportunity of presenting their defence.

7 Explanation of Penalties

a) Warning

(i) A warning is given for:

- A low-level offence that has not greatly advantaged or disadvantaged anybody but is one where the offender should have known better and when it is considered that it is not necessary to record the penalty on the Licence Holder's electronic licence page of the CMS; or
- When a person acts in an abusive, intimidating, threatening, disrespectful, disobedient, manner to a Steward or a Hearing.

Explanatory Note

In this case, a Warning is given by the Steward/s for the person to immediately stop their behaviour.

If the person does not then stop their behaviour, the Steward/s may charge the person with a breach of General Rules Chapter 8, Rule 5 m) by the issuing of an Infringement Notice and then, no less than 15 minutes later, proceed to hear the matter and apply a Penalty.

b) Reprimand

- (i) A reprimand is given for a breach of the Rules that has not greatly advantaged or disadvantaged anybody, but is one where the offender should have known better.
- (ii) A reprimand is recorded on the Licence Holder's electronic licence page of the CMS.
- (iii) A Licence Holder who has three (3) or more reprimands recorded on their 'electronic licence page' of the CMS in a twelve (12) month period will be required to attend a Disciplinary Tribunal. The Disciplinary Tribunal must deal with the matter as a matter of penalty only, and must accept that the person has committed the offences which were the subject of the reprimands.

c) Points Penalty

- (i) A points penalty only changes the points allocated to the penalised Licence Holder's finishing position in that Competition and as they may count towards any overall Championship or Series point score.

- (ii) It does not affect the finishing positions or points allocation of any other Licence Holder's in the Competition.
- d) Disqualification from that section of the Event
- (i) Disqualifies the Licence Holder from any entitlements (points / placing) for that section of an Event only.
- e) Disqualification from the Event
- (i) Disqualifies the Licence Holder from any further participation in any section of that Event (Class), and any entitlements already gained for the relevant Class, for the entire Meeting. Competitor may still compete in other Events (Classes) at that Meeting.
- f) Disqualification from the Meeting
- (i) When a Licence Holder is Disqualified from a Meeting,
- the penalty is applied and takes effect immediately. The licence holder is not permitted to take any further part in that Meeting.
 - the Licence Holder loses any points, placings or awards in all sections of Events (Classes) completed at that Meeting before the penalty of Disqualification was imposed.
 - the Licence Holder forfeits any fees paid in respect of that Meeting.
- (ii) An automatic Disqualification does not prevent the imposition of any additional penalty for the same offence.
- (iii) A penalty of Disqualification does not prevent the Stewards from referring the matter to a Disciplinary Tribunal for further penalty.
- (iv) A penalty of Disqualification from a Meeting may be appealed in accordance with the Rules, however this will not alter the immediate application and effect of the penalty.
- g) Consequences of Disqualification
- (i) For the purposes of Timekeeping, when a Licence Holder is Disqualified from a section of an Event, Disqualified from an Event or Disqualified from a Meeting, their relevant placing and points entitlements will be assumed by the relevant succeeding Licence Holder with all subsequent placing and points entitlements adjusted accordingly.
- h) Suspension
- (i) A **sentence penalty** of Suspension **which is reserved for any serious offence**, may only be imposed by:
- a Tribunal; or
 - a Court (AMSAC) or
 - the Board CEO of KA (where satisfied that there is a risk to health and/or safety).
- (ii) A **sentence penalty** of Suspension shall entail the loss of any right that the License Holder may have had to participate in any capacity in any Competition or Karting Activity held within the territory of KA, Motorsport Australia or under any FIA approved agreement involving another ASN and will involve the forfeiture of the Entry fee.
- (iii) Suspension shall render null and void an entry by or for the Licence Holder for any Competition which may take place during the term of such Suspension.
- (iv) Suspension of 12 months or more shall entail the loss of any right that the Licence Holder or Member may have had or has to hold any official or other position of whatsoever kind with a Club or an SKA for the term of such Suspension.
- Should the Licence Holder or Member hold any official or other position with a Club or a SKA at the time of Suspension, then the Licence Holder or Member shall automatically be deemed to have resigned from that official or other position.
- (v) KA shall endorse any licence which has been Suspended accordingly.

- (vi) When separate penalties of Suspension are imposed they shall be cumulative in effect.
 - (vii) International licence Suspension shall be implemented in accordance with the ISC.
 - (viii) If a suspension is imposed, the Licence holder must be advised that the period of Suspension commences immediately.
- i) Exclusion:
- (i) A sentence of Exclusion may only be imposed by a Tribunal, a Court or the Board.
 - (ii) A person or body shall be said to be Excluded when they have been definitively and permanently forbidden to take part in any Competition whatsoever.
 - (iii) Exclusion shall render null and void any previous Entry made by the person Excluded and shall entail the forfeiture of Entry fee.
 - (iv) Exclusion shall entail the loss of any right that the Licence Holder or Member may have had or has to hold any official or other position of whatsoever kind with a Club or a SKA.
 - (v) Should the Licence Holder or Member hold any official or other position with a Club or a SKA at the time of Exclusion, then the Licence Holder or Member shall automatically be deemed to have resigned from that official or other position.
 - (vi) KA shall endorse any licence which has been Excluded accordingly.
 - (vii) International licence Exclusion shall be implemented in accordance with the ISC.
 - (viii) If Exclusion is imposed, the Licence holder must be advised that the Exclusion commences immediately.
- k) Drive Through Penalty
- (i) A Drive Through Penalty may only be imposed during an Endurance Event.
 - (ii) Drive Through Penalty means a Pit Lane drive through Penalty imposed by the Stewards in which a Kart is required to traverse Pit Lane and re-enter the Track without stopping. It shall not be the subject of Appeal.
 - (iii) Once a Drive Through Penalty is imposed on a Competitor by the Stewards, the Competitor must enter the Pit Lane at the next opportunity and without impeding another Competitor.
 - (iv) A pit board displaying a Competitors competition number and the words "Drive Through Penalty" will be displayed by an Official to signify that a Drive Through Penalty has been imposed.
 - (v) At the completion of the driving stint, the Driver who received the Drive Through Penalty must report to the Clerk of the Course or Stewards immediately.
 - (vi) A Competitor who fails to complete a Drive Through Penalty will be penalised with a Stop Go Penalty.
- l) Stop Go Penalty
- (i) A Stop Go Penalty may only be imposed during an Endurance Event.
 - (ii) Stop Go Penalty means a Drive Through Penalty with a further requirement for the Kart to be stationary in the Pit Bay for a designated period of time as determined by the Stewards and where no work or a Driver change is permitted. It shall not be the subject of Appeal.
 - (iii) A Green Flag with a red diagonal together with a pit board displaying a Competitors competition number will be displayed by an Official to signify that a Stop Go Penalty has been imposed.
 - (vii) At the completion of the driving stint, the Driver who received the Stop Go Penalty must report to the Clerk of the Course or Stewards immediately.
 - (iv) A Competitor who fails to complete a Stop Go Penalty will be penalised with an additional Stop Go Penalty.
- m) Computer Lap Penalty
- (i) A Computer Lap Penalty may only be imposed during an Endurance Event.

- (ii) A Computer Lap Penalty means the subtraction of one (1) or more laps to the Competitors lap count as imposed by the Stewards. It shall not be the subject of Appeal.
- (iii) At the completion of the driving stint, the Driver who received the Computer Lap Penalty must report to the Clerk of the Course or Stewards immediately.

8 Penalty Notification - Judge of Fact Breaches

- a) A Penalty Notification Form will be issued by the Steward to the effected Licence Holder when a breach of Rules is determined by a Judge of Fact decision.
- b) Penalties which are imposed by the Stewards as a result of a Judge of Fact decision may not be appealed.
- c) Non-Attendance to the Stewards by a Licence Holder within 30 minutes after being advised to do so, will result in the automatic issuing of the Penalty.

9 Liability to Pay Fines and/or Costs

- a) Any Licence Holder found to be in breach of these Rules shall be responsible for the payment of any financial penalty imposed. In the event of non payment within the time specified in these Rules, the Licence Holder may also be suspended by KA from Competing in any Meeting until the fine is paid.
- b) Failure to pay a fine / costs within the prescribed time limit will result in interest becoming due and payable on the full amount of the fine / costs. Such interest shall accrue at the Cash Rate Target specified by the Reserve Bank of Australia from time to time increased by 9%.

10 Time for Payment

- a) Financial Penalties must be paid to KA or the relevant SKA within forty-eight (48) hours of their imposition. Where this time limit expires during a Meeting, the forty-eight (48) hour period will commence from the conclusion of the Meeting. Failure to pay within that time, without any further order or request for time for payment to be made will result in:
 - (i) the Licence Holder being Disqualified by the Stewards from any Meeting; and
 - (ii) immediate Suspension of the Competitor by KA while the financial penalty remains unpaid.

11 Allocation of Financial Penalties

- a) All financial penalties and all forfeited protest fees must be remitted to:
 - (i) KA for all International, National Championship, National Series, National Cup and State Championship Meetings.
 - (ii) The SKA in which the Meeting was held for all other Meetings.
- b) Appeal fees from all International, National Championship, National Series, National Cup and State Championship events must be remitted to KA.
- c) Appeal Fees for all other events must be remitted to the relevant SKA.
- d) All fees payable to AMSAC must be remitted to Motorsport Australia.

12 Endorsement of Licence

- a) Whenever a Penalty is imposed on a Licence Holder and/or Driver by the Stewards, the details must be entered by the Stewards on the Licence Holder 'electronic licence page' of the CMS.
- b) Any penalty varied or applied by a Tribunal or Court, must be altered on the Licence Holder "electronic licence page" of the CMS by the relevant State Secretary after notification of the from the Tribunal or Courts findings.

13 Recommended Minimum Penalties

- a) The penalties listed in the Rules are Recommended Minimum Penalties. They may be applied by the Stewards, a Tribunal or a Court.
- b) The Other Penalties listed in the Rules may be imposed in place of, or in addition to the Recommended Minimum Penalties outlined in the tables below.

Recommended Minimum Penalties (General)		
Offence	Rule Number	Penalty
Actual Physical Contact	General Rules Chapter 8 Rule 5a	Disqualification from the Meeting plus referral to a Disciplinary Tribunal with a recommendation for a 12 month Suspension
Actual Physical Contact of an Official	General Rules Chapter 8 Rule 5a	Disqualification from the Meeting plus referral to a Disciplinary Tribunal with a recommendation for a 24 month Suspension
Advertising, Signs and Writing	General Rules Chapter 8 Rule 5 s)	First Offence: Disqualification from that section of the Event Subsequent Offences: Disqualification from the Meeting
Alcohol and prohibited substances	General Rules Chapter 8 Rule 5 b) Chapter 1 Rule 32 & 33	Disqualification from the Meeting plus referral to a disciplinary tribunal with a recommendation for a 12 month Suspension
Alcohol consumption prior to the completion of the Competitor's Event	General Rules Chapter 1 Rule 32	Disqualification from the Meeting
Baulk line infringement	Competition Rules Chapter 1 Rule 21	Disqualification from that section of the Event
Bribery	General Rules Chapter 8 Rule 5 c)	Disqualification from the Meeting plus referral to a disciplinary tribunal with a recommendation for a 12 month Suspension
Code of Driving Conduct Careless Driving	Competition Rules Chapter 3 Rule 2	+10 second time penalty
Code of Driving Conduct Reckless Driving	Competition Rules Chapter 3 Rule 2	Disqualification from that section of the Event
Code of Driving Conduct Dangerous Driving	Competition Rules Chapter 3 Rule 2	Disqualification from the Meeting
Code of Driving Conduct – Kart Leaving The Track – Positional Advantage	Competition Rules Chapter 3 Rule 4	+ 2 Place Penalty
Code of Driving Conduct – Kart Leaving The Track – Relative Track Position	Competition Rules Chapter 3 Rule 4	+10 Second Time Penalty
Competition Numbers - Failure to Comply	Competition Rules Chapter 1 Rule 11	Minor Ineligibility and rectified for the next Session
Conduct Prejudicial	General Rules Chapter 8 Rule 5 d)	Referral to KA for determination
Damage to The Property of Another Person	General Rules Chapter 8 Rule 5 e)	Disqualification from the Meeting

Recommended Minimum Penalties (General)		
Offence	Rule Number	Penalty
Direction of Racing - Failure to Observe and Obey	General Rules Chapter 4 Rule 1 c) Competition Rules Chapter 1 Rule 2	Disqualification from the Meeting
Drivers briefing – failure to attend	Competition Rules Chapter 1 Rule 6	\$50.00 fine
Ducking head so as to impede vision	Competition Rules Chapter 1 Rule 13	Official Practice at a Meeting: Disqualification from the next practice session or start from the rear of the grid in qualifying if the offence is the in the final Practice session. Qualifying or Race: 2 Place Penalty
Duty of Care	General Rules Chapter 8 Rule 5 f)	Disqualification from the Meeting
Fail To Attend a Hearing	General Rules Chapter 8 Rule 5 g)	Hearing In Absentia plus \$100.00 Fine
Entering Parc Fermé without permission	General Rules Chapter 4 Rule 1a)	\$50.00 fine
Failure to attend official presentation and in correct attire	Competition Rules Chapter 1 Rule 29	\$50.00 fine
Fail to Give Evidence	General Rules Chapter 8 Rule 5 h)	At a Meeting: Disqualification from the Meeting. Away from a Meeting: Suspension until they appear.
Fail to Pay Monies Owing	General Rules Chapter 8 Rule 5 i)	Refer to General Rules Chapter 9 Rule 9
Failure to obey an Official	General Rules Chapter 8 Rule 5 j)	Disqualification from that section of the Event
Failure To Wear a High Visibility Vest	General Rules Chapter 4 Rule 12 (f)	Nationally Permitted Meetings: \$50.00 Fine. All other Meetings: Reprimand.
False Information	General Rules Chapter 8 Rule 5 k)	At a Meeting: Disqualification from the Meeting. Away from a Meeting: 3 Months Suspension
Flags and Safety Lights Black flag/signal – failure to observe	Competition Rules Chapter 2 Rule 4 k)	Disqualification from that section of the Event Plus a Written Reprimand
Flags and Safety Lights Black and Orange Disk flag/signal – failure to observe	Competition Rules Chapter 2 Rule 4 l)	Disqualification from that section of the Event

Recommended Minimum Penalties (General)		
Offence	Rule Number	Penalty
Flags and Safety Lights Black and White Chequered flag – failure to observe	Competition Rules Chapter 2 Rule 4 n)	Official Practice at a Meeting: Disqualification from the next practice session or start from the rear of the grid in qualifying if the offence is the in the final Practice session. Qualifying or Race: 2 Place Penalty
Flags and Safety Lights Blue flag / lights – failure to observe	Competition Rules Chapter 2 Rule 4 f)	Shown Blue and Red Double Diagonal Flag
Flags and Safety Lights Blue and Red Double Diagonal Flag – failure to comply	Competition Rules Chapter 2 Rule 4 i)	Black Flag
Flags and Safety Lights Red flag / lights – failure to cease racing	Competition Rules Chapter 2 Rule 4 g)	Disqualification from that section of the Event
Flags and Safety Lights Yellow flags / lights – failure to slow and signal appropriately	Competition Rules Chapter 2 Rule 4 d)	+ 5 second time penalty
Flags and Safety Lights Yellow flags / lights – failure to maintain position	Competition Rules Chapter 2 Rule 4 d)	+ 2 place penalty per position gained
Fraudulent Misrepresentation	General Rules Chapter 8 Rule 5 l)	Referral to a Disciplinary Tribunal for a 12 month Suspension
Intimidation, Abuse and Threats	General Rules Chapter 8 Rule 5 m)	Disqualification from the Meeting plus referral to a disciplinary tribunal with a recommendation for a 3 month Suspension
Intimidation, Abuse and Threats of an Official - Contempt	General Rules Chapter 8 Rule 5 m)	Disqualification from the Meeting plus referral to a disciplinary tribunal with a recommendation for a 6 month Suspension
Kart stopping on the Track or stalled kart obstruction of Track – fail to remove kart to safety	Competition Rules Chapter 1 Rule 15	Disqualification from that section of the Event plus \$100.00 fine
Licence – “P” Plate Use – Non compliance	Competition Rules Chapter 4 Rule 14	\$50 Fine and rectification for the next Session
Misconduct	General Rules Chapter 8 Rule 5 u)	Offense committed at a Meeting: Disqualification from that section of the Event. Offense committed away from a Meeting: 1 Month Suspension .

Recommended Minimum Penalties (General)		
Offence	Rule Number	Penalty
Serious Misconduct	General Rules Chapter 8 Rule 5 u)	Offense committed at a Meeting: Disqualification from the Meeting plus referral to a Disciplinary Tribunal with a recommendation for a 12 month Suspension. Offense committed away from a Meeting: 12 Month Suspension.
Restart (push start) during official practice qualifying/racing	Competition Rules Chapter 1 Rule 23	Disqualification from that section of the Event
Safety Apparel	Competition Rules Chapter 1 Rule 7	Disqualification for that section of the Event and rectification for the next Session
Shaking hands with another Driver whilst driving	Competition Rules Chapter 1 Rule 14	\$100.00 fine
Social Media Policy and Acceptable Use of Social Media Policy	General Rules Chapter 8 Rule 5 t)	Offense committed at a Meeting: Disqualification from the Meeting. Offense committed away from a Meeting: 3 Month Suspension.
Smoking in unauthorised areas	General Rules Chapter 4 Rule 15	\$50.00 fine
Speeding / dangerous driving on the in-grid	Competition Rules Chapter 3 Rule 2a) (iii)	Disqualification from that section of the Event. Plus a written Reprimand
Start procedure infringement	Competition Rules Chapter 1 Rule 22	+10 second time penalty
Start Procedure Infringement (Partly crossing the Starting Lanes – 2 wheels)	Competition Rules Chapter 1 Rule 22 d)(xiii)(xiv)	+ 3 second time penalty
Start Procedure Infringement (Wholly crossing the Starting Lanes – 4 wheels)	Competition Rules Chapter 1 Rule 22 d)(xiii)(xiv)	+ 10 second time penalty
Removal of safety apparel in unprotected area	Competition Rules Chapter 1 Rule 7	\$100.00 fine
Starting Engine during Drivers Briefing	Technical Rules Chapter 5 Rule 7 d)	\$50.00 fine
Timing Transponder – Failure to Comply	Competition Rules Chapter 1 Rule 10	Disqualification from that Section of the Event

Recommended Minimum Penalties (Technical)
Refer to Technical Rules Chapter 6 Rule 6 – Technical Conformity

Offence	Rule Number	Penalty
Airbox infringement (tampering)	Technical Rules Chapter 1 Rule 9 m)	Disqualification from that section of the Event
Australian Kart Formula Infringement	Technical Rules Chapter 1	Disqualification from that section of the Event
Barcoded engine / chassis seals	Technical Rules Chapter 6 Rule 5 b),c),d)	Disqualification from the Meeting
Engine failed cc test or Engine failed cc volume squish	Technical Rules Chapter 6 Rule 7	Disqualification from the Meeting
Non-conforming engine	Technical Rules Chapter 1 Rule 9 & Individual Class Rules	Disqualification from the Meeting plus referral to a disciplinary tribunal with a recommendation for a 1 month Suspension
Engine Starting	Technical Rules Chapter 5 Rule 7 d)	2 Grid Place Penalty to be applied for the next Competitive section of the Event.
Exhaust infringement	Technical Rules Chapter 1 Rule 9 n)	Disqualification from that section of the Event
Exhaust length (Cadet 9 / Cadet 12)	Technical Rules Chapter 1 Rule 9 n) (x) 8)	Disqualification from that section of the Event
Front Fairing – Not In Correct Position	Technical Rules Chapter 1 Rule 8 g)(iii) 3b	+ 2 Place Penalty
Front Fairing – Illegally Replaced or Attempted to Be Replaced	Technical Rules Chapter 1 Rule 8 g)(iii) 3d)	Disqualification from the Meeting
Fuel Non-conforming	Technical Rules Chapter 3	Disqualification from the Meeting plus referral to a disciplinary tribunal with a recommendation for a 12 month Suspension
Identifying Marks (Scrutineering)	Technical Rules Chapter 6 Rule 1 c) (viii)	Disqualification from that section of the Event
Illegally machined part	Technical Rules Chapter 1 Rule 9c	Disqualification from the Meeting plus referral to a disciplinary tribunal with a recommendation for a minimum of a 12 month Suspension
Parc Fermé Rules	Technical Rules Chapter 6 Rule 3 d)	Disqualification from that section of the Event
Restrictor infringement	Technical Rules Chapter 1 Rule 9 n) (x)	Disqualification from the Meeting

Recommended Minimum Penalties (Technical) Refer to Technical Rules Chapter 6 Rule 6 – Technical Conformity		
Offence	Rule Number	Penalty
Tampering of engine ports	Technical Rules Chapter 1 Rule 9 c)	Disqualification from the Meeting plus referral to a disciplinary tribunal with a recommendation for a minimum of a 12 month Suspension
Tyres – Non-approved Tyres used	Technical Rules Chapter 4 Rule 1	Disqualification from the Meeting plus referral to a disciplinary tribunal with a recommendation for a minimum of a 12 month Suspension
Tyres – Tampering with, modification or alterations to Tyres	Technical Rules Chapter 4 Rule 1	Disqualification from the Meeting plus referral to a disciplinary tribunal with a recommendation for a minimum of a 12 month Suspension
Tyres Treatment	Technical Rules Chapter 6 Rule 13	Disqualification from the Meeting plus referral to a disciplinary tribunal with a recommendation for a minimum of a 12 month licence Suspension
Weight Infringement	Technical Rules Chapter 1 Rule 5 and all Class Rules	Disqualification from that section of the Event

14 Penalties from a Tribunal or Court

- a) A Tribunal or a Court may impose any penalty or combination of penalties except that;
 - (i) The Maximum fine which can be imposed by a Tribunal or Court for a single offence is \$3,000.00.
 - (ii) There is no Maximum for other penalties.
- b) The time limit for payment of fines / costs from a Tribunal or Court is 14 days from the date of the decision.
- c) All penalties issued from a Tribunal or AMSAC must be applied from the date of the Tribunal or AMSAC decision, subject to any appeals.

15 Remission of Sentence

- a) Provided all rights of appeal have been exhausted, the Board has the right to amend the unexpired period of a Suspension or Exclusion and to remit part or all of a fine.
- b) A Licence Holder whose Licence is suspended by the CEO of KA acting under the NCR may seek from the Board a variation to the length of that Suspension. That Suspension will remain in effect until the Board determines the issue.

Breach Of Rule - Infringement Notice

1 Purpose

The purpose of an Infringement Notice (Notice) is to assist:

- a) Charge a Licence Holder (Alleged Party) with a breach of the Rules and to refer the alleged breach of the Rules to the Stewards for a Hearing; or
- b) To assist in the timely application of a penalty where a Licence Holder can accept that they have been in breach of a Rule. An Infringement Notice allows the Alleged Party to accept an alleged breach and penalty without having to appear before the Stewards. The penalty detailed on the Notice is issued under the authority of the Stewards.
 - (i) The Alleged Party has the following options (Options):
 - 1) admit to the breach of the Rule and accept the penalty which also requires acknowledgement of waiving right of appeal; or
 - 2) admit to the breach of the Rule but not accept the penalty which will result in a Stewards Hearing to hear submissions on penalty and impose a penalty; or
 - 3) not admit to the alleged breach of the Rule which will result in a Stewards Hearing.

2 Process – Referral To Stewards in accordance with Rule 1 a)

- a) A Clerk of Course, or their representative (including any Official of the meeting) may determine an alleged breach of General Rules, Competition Rules and/or Class Rules has occurred. They may decide to refer the alleged breach directly to the Stewards or offer a penalty to be imposed in accordance with Chapter 10 Rule 1 b) to the Alleged Party.
- b) Only a Scrutineer or an Official who is responsible to the Chief Scrutineer of the Meeting may determine an alleged breach of Technical Rules (including Homologation of a component or components and Class Rules that are of a Technical nature) including the use of an illegal or non-conforming component or components or any product specified in the Technical and/or Class Rules has occurred. They may decide to refer the alleged breach directly to the Stewards or offer a penalty to be imposed in accordance with Chapter 10 Rule 1 b) to the Alleged Party.

3 Process – Acceptance of Breach in accordance with Rule 1 b)

- a) If the Official decides to propose a penalty to the Alleged Party in accordance with Rule 1 b) the penalty to be offered will be determined by either:
 - (i) Applying the minimum recommended penalty in accordance with general rules Chapter 9, Rule 13; or
 - (ii) Consulting with the Stewards where no specific penalty is prescribed or a penalty other than the minimum recommended penalty is proposed
- b) Completion of the Notice

Note: The Stewards must be made aware of the details of the Notice before it is presented to the Alleged Party.
- c) Advise the Alleged Party of the alleged breach and the proposed penalty.
- d) Advise the Alleged Party that they have the Options as listed above.
- e) The Alleged Party must tick the box/es relevant to the Option selected and complete the declaration on the Notice which will initiate the process described for that Option.
 - (i) If the Alleged Party admits to the breach of the Rule and accepts the penalty, they must tick both boxes in the appropriate section of the Notice and sign, date and time the Notice.

Note: The tick box waiving the right of appeal in this matter must be ticked before proceeding.

- (ii) If the Alleged Party will not waive their right of appeal in the matter a Stewards Hearing will be convened.
- (iii) If the Alleged Party does not admit to the breach of the Rule, a Stewards Hearing will be convened.
- (iv) If a Stewards Hearing is convened in accordance with (ii) and (iii) above, the Alleged Party will have the opportunity to state their case in person, call witnesses and present evidence supporting their case. The Alleged Party will be advised of a place and time for the matter to be heard.

Note: The Stewards may vary the penalty above if a breach of Rules is established.

- (v) If the Alleged Party admits to the breach of the Rule but does not accept the penalty the Stewards Hearing will be convened only consider imposition of penalty in regard to this matter. The Alleged Party will have the opportunity to give their submission on penalty along with any mitigating circumstances.
- f) When the Notice has been signed and both boxes are ticked by the Alleged Party the Official will take it to the Stewards who will impose the penalty.
- (i) The Official will copy the Notice, return the original to the Stewards and deliver copies to the parties as appropriate (e.g. Clerk of the Course, Secretary of the Meeting, Chief Timekeeper.)
- g) If the Alleged Party refuses to accept the Notice or confirm any of the Options available to them by completing the Declaration section of the Notice within thirty (30) minutes of being advised of an alleged breach of the Rules by an Official, the Notice detailing the Offence and the Penalty will be taken to the Stewards who will apply the Penalty

Stewards Hearings

1 General

- a) The Stewards shall conduct Hearings in accordance with these Rules. It is highly recommended that they follow the Step By Step Stewards Hearing Procedures but they may regulate such Hearing as they see fit subject only to these Rules and to the ISC.
- b) The Stewards may commence a Hearing:
 - (i) upon receipt of an Infringement Notice in accordance with the Rules; or
 - (ii) upon receipt of a properly completed Protest form in accordance with these Rules; or
 - (iii) into any matter of their own volition but must, in such circumstances complete and subject to Rule 1 k) herein, serve upon the Alleged Party a properly completed Infringement Notice in accordance with General Rules, Chapter 10.
- c) A minimum of two (2) Stewards shall be present at all Hearings. The Stewards may hear any matter in their absolute discretion at any time in accordance the Rules and with the authority given by Article 11.9 of the ISC.
- d) The Stewards will conduct all Hearings and make all decisions in an unbiased manner, in good faith, based on the relevant evidence presented at the Hearing and not on the basis of suspicion or speculation.
- e) Stewards shall expedite Hearings and give notice to those that they require to attend. Failure of a person who is required to attend, attending the Hearing shall not preclude the Stewards hearing a matter in their absence. of any party.
- f) Hearings shall be conducted with a minimum of formality and legal technicality. At any Hearing, the Alleged Party or the person attending or entity that is the subject of the Protest:
 - (i) must state their case in person;
 - (ii) may at the discretion of the Stewards, have the assistance of the Competitor or where the Competitor is an entity, the legally authorised representative;
 - (iii) subject to Rule iv) below, if under eighteen (18) years of age, must be accompanied by a parent or adult guardian who holds either a Drivers Licence or a Participants Licence which is linked to the Driver;
 - (iv) will not be entitled to be assisted, have present or be represented in any circumstances by a person who is, or was, a legal practitioner.
- g) The Stewards are not bound by the rules of evidence or by practices or procedures applicable to persons exercising a judicial capacity in any court, but may inform themselves as to any matter in any manner as they may see fit in all the circumstances.
 - (i) Direct evidence is usually the oral evidence of the parties that are directly involved in a Hearing or a witness (although it may include documentary and/or video evidence) and is given by some person who themselves was involved in, saw or heard or otherwise perceived the fact or facts to which they testify.
 - 1) witnesses are presumed to be speaking the truth.
 - 2) witnesses may be examined by the Stewards and the party calling them and shall give evidence directly and/or by answers to questions. They may not be "led" on examination by the party calling them.

- 3) witnesses may be cross-examined by the Stewards and the other party.
 - 4) Witnesses must confine their statements before the Hearing to evidence. It is not their role to present argument in support of or against any of the parties to the Hearing.
 - (ii) Hearsay evidence (i.e., evidence that the witness was told something) is not valid evidence of the thing itself and is usually inadmissible as such.
 - (iii) Opinion is not in itself generally admissible. Opinions expressed by witnesses other than experts are valueless as evidence of the matter at issue. They are inadmissible.
- h) Should a party to a Hearing seek permission to produce expert evidence, they must provide to the Stewards a written statement containing:
- (i) the name and address of the witness;
 - (ii) the qualifications and experience of the witness;
 - (iii) the substance of the evidence it is proposed to seek from the witness.
- i) Where possible, all Hearings are to be recorded. When a Hearing has been recorded, the recording must be retained by the Steward/s for a minimum of 60 days from the end of the Hearing and be provided to KA or the SKA upon request.
- j) Subject to the requirements of the Rules and the ISC, any procedure or requirement regulating a Hearing will be regarded as a guideline only, and any decision of the Stewards is not invalid by reason of a procedure or requirement not being fulfilled.
- k) Any Licence Holder who has been involved in any incident that may be subject to an Infringement Notice or a Hearing, may not leave the precincts of the Meeting unless that Licence Holder has first obtained the permission of the Stewards.

2 Procedures of Hearings

- a) All persons required by the Stewards that are directly involved in a Hearing will be given reasonable notice to attend the Hearing.
- b) At a Hearing, the Stewards will provide a person, against whom a breach of the Rules is alleged, with an opportunity to be heard and to give evidence, ask questions, call witnesses and make submissions.
- c) To facilitate the conduct of a Stewards Hearing a person must:
- (i) upon receiving any notice (whether written or oral) to attend a Hearing, appear at the time and place notified;
 - (ii) fully co-operate in good faith with the Stewards;
 - (iii) provide a full and truthful account of matters within their knowledge;
 - (iv) fully and truthfully answer any questions;
 - (v) at the request of the Stewards, produce any document, image, video footage or any other thing in their possession or under their control;
 - (vi) not make any false or misleading statement or a statement that is either calculated to or likely to mislead.
- d) When considering a matter of a technical nature, a Chief Scrutineer or their delegate must be given the opportunity to be present and be heard at a Hearing and to make submissions on Penalty.
- e) It is expressly forbidden for any person directly or indirectly to influence any person who is, or ought reasonably to be regarded as, required to appear or give evidence at any Hearing.
- f) No Licence Holder, person or entity is permitted to comment to any other person or entity on the proceedings of, or any evidence or information given to, any Hearing until such Hearing is completed and the decision of the Stewards has been released.

- g) If it is not practicable to complete a Hearing, it may be adjourned to another time and place and may be heard by Stewards other than those who commenced the Hearing. Such adjourned Hearing shall be conducted by at least one (1) Steward who comprised the original panel of Stewards.
- h) If any person at all fails to attend at the time and place of the Hearing, in their absence the Stewards may conduct the Hearing and make their decision in absentia.

3 Stewards Decisions

- a) After the Hearing has concluded the Stewards will present a decision consistent with the information available at the Hearing, and subject to the Rules impose such Penalties and make such orders and give such directions as they may think fit.
- b) As far as is practical, at the conclusion of all Hearings the Stewards may give reasons for their decision.
- c) After a Hearing has concluded, the Stewards may provide written reasons for the decision.
- d) Should the Stewards decide that the imposition of a suitable penalty is not within their powers, they will refer the matter to a Tribunal for a decision on penalty, including their recommendation on penalty. The Stewards must also advise the parties of their penalty recommendation.
- e) All persons affected by or concerned in a Hearing will be bound by the decision of the Stewards, subject only to rights of Appeal.
- f) KA shall at all times have the right to publish a decision following a Hearing, including the names of any person or entity involved. Any person or entity whose name is published pursuant to this Rule shall have no cause of action against KA or against any person publishing such decision.

Protests

1 General

- a) The right to protest lies only with a Protestor. A Protester is defined as follows:
 - (i) KA;
 - (ii) a SKA;
 - (iii) a Club;
 - (iv) a Licence Holder directly affected.
 - (v) a parent or guardian who holds either a Drivers Licence or is a Participants Licence Holder on behalf of a Competitor or Driver under the age of 18 years old where that Competitor or Driver has been directly affected.
- b) A Protestor seeking to protest against more than one (1) other Licence Holder must lodge as many Protests as there are Licence Holder involved in the matter concerned.
- c) In the case of a Protest against alleged breaches of the Technical Rules, a separate Protest and accompanying fee must be lodged for each single technical issue or item against which a Protest is made.
- d) Every Protest must be in writing on the KA "Protest Form" addressed to the Stewards and accompanied by the applicable Protest fee.
 - (i) It must specify:
 - 1) The relevant Rules;
 - 2) The concerns of the Protestor;
 - 3) Against whom the Protest is lodged, when relevant
 - (ii) The Protest shall be delivered to the Clerk of the Course. In the absence of the Clerk of the Course or an Assistant Clerk of the Course, the Protest should be delivered to the Chief Steward.
 - (iii) For the sake of clarity, the Protest Fee may be paid either by:
 - 1) Cash; or
 - 2) Cheque; or
 - 3) Credit Card (Visa or Mastercard).
 - If credit card facilities are not available at the Meeting, the credit card number, name of the credit card holder, the expiry date and CSV number must be recorded on the Protest Form.
 - If at the time of processing the Protest Fee, the payment is rejected or unable to be completed through lack of funds in the account, the Protestor will be immediately suspended by KA from Competing in any Meeting until the Protest Fee has been paid in full.
- e) In the case of a Protest relating to the eligibility of a Kart, the Protest must be accompanied by an additional bond of \$1,000 plus GST, payable to KA, which will be held to cover the costs of the dismantling operation or process.
- f) The Protest fee may only be refunded by order of the Stewards or a Disciplinary Tribunal if the Protest is upheld, otherwise the Protest fee will be forfeited to KA or the relevant SKA as appropriate.
- g) The Notice of Protest must be lodged where the Protest:
 - (i) is against the entry of a Competitor or Driver, within two (2) hours after the closing time for the receipt of entries for the Meeting;

- (ii) is against the make-up of a grid for a Competition, prior to forty five (45) minutes before the scheduled time of the opening of out grid for that Competition;
 - (iii) is against the Race results of a session or Competition, must, except in circumstances which the Stewards consider as physically impossible, be made within thirty (30) minutes after the publication of the Provisional results Classification;
 - (iv) relates to any other matter occurring at a Meeting, no later than thirty (30) minutes after the publication of Provisional results Classification.
 - (v) is against the actions of a Licence Holder that have occurred outside of a Meeting, within twenty-four (24) hours of the action taking place.
- h) The Stewards shall treat all Protests referred to above as urgent and shall hear them as soon as practicable.
- i) The time limits for lodging a Protest may only be extended by the Stewards, if it can be shown that there were exceptional circumstances.
- j) A Protest not dealt with by the Stewards must be referred to a Disciplinary Tribunal or the National Stewards Panel for a Hearing.
- k) A Tribunal or Court shall not have jurisdiction to extend any time limits that have been determined by the Stewards.

2 *Protesting the Actions of an Official*

- a) A Protestor may Protest the actions of an Official which must only relate to assault and/or intimidation of a person at a Meeting.
- b) The Notice of Protest must be forwarded to the National Tribunal Registrar within forty-eight (48) hours of the alleged breach of the Rules taking place. This may be either by Registered Mail, or email. It must be accompanied by the applicable Protest Fee.
- c) The National Tribunal Registrar upon receipt of the Protest will acknowledge receipt of the Protest to the Protestor.
- d) The National Tribunal Registrar may refer the Protest to a State Tribunal Registrar to facilitate a Disciplinary Tribunal to hear the matter as soon as practicable but not more than thirty (30) days after the receipt of the Protest.

3 *Inadmissible Protest*

- a) A Protest against any decision:
- (i) made by the Stewards in the course of carrying out their duties pursuant to these Rules; or
 - (ii) of a Judge of Fact concerning a question which they have been officially appointed to decide.
 - (iii) to refuse an entry to a Meeting.
 - (iv) related to the use of the red flag.
 - (v) related to an injured Driver clearance.
 - (vi) related to a Baulk Line infringement.
 - (vii) made regarding Tyres.
- will not be accepted.
- b) A single Protest against more than one Licence Holder will not be accepted.
- c) A Protest lodged jointly by several Licence Holders will not be accepted.

4 *Examination of Kart, Assembly or Component*

- a) A Kart, assembly or component thereof, the subject of any Protest against its eligibility or qualification, will immediately be impounded or sealed for examination by the Chief Scrutineer or their delegate.

- b) The examination of any Kart, assembly or component impounded or sealed pursuant to these Rules will be carried out under the authority of the Chief Scrutineer who must report in writing the results of such examination to the Stewards.
- c) At the direction of the Stewards, parts or components of a Kart may be sealed for examination at a later time by the Chief Scrutineer or their delegate.
- d) Only the Chief Scrutineer and the Competitor or Driver or Participants Licence Holder whose component is being inspected are entitled to attend the examination.
- e) The costs of dis-assembly and re-assembly of a Kart, assembly or component, together with reasonably necessary costs of impounding and/or transport of the subject Kart, assembly or component for such examination, must be paid to KA by the unsuccessful party to the protest.
- f) Any assessment which needs to be made of the "reasonably necessary costs" referred to in the Rules, will be made by the Stewards hearing the Protest, or the Disciplinary Tribunal hearing the Protest or KA.
- g) If the Protestor is the unsuccessful party, the whole or part of the bond will be applied to the costs referred to in the Rules and, if that bond is insufficient to cover such costs, the Protestor will become liable to KA for the balance, provided that the total amount of the costs is verified pursuant to the Rules.
- h) The whole of the bond referred to in the Rules may be refunded only if the protest is upheld.

5 Hearing and Judgement

- a) Upon receiving a Notice of Protest, the Stewards or Disciplinary Tribunal will conduct a Hearing.
- b) The hearing of a Protest or and all parties concerned by the Protest shall take place as soon as practicable.
- c) The concerned parties shall be given notice to attend the Hearing (which may be verbal or written in form) and may be permitted to call witnesses.
- d) In the absence of any concerned party or of their witnesses, judgement may be made in their absence.
- e) If judgement cannot be given immediately after the Hearing of the parties concerned, they must be advised of the time and place at which the decision will be given; subsequent to which all parties concerned will be bound by the decision.
- f) Once the Stewards or Disciplinary Tribunals decision is given, all parties must be advised of their right of Appeal.

6 Right of Appeal

- a) Only KA, an SKA or a party directly impacted by the Stewards or Disciplinary Tribunal decision has the right of Appeal.

7 Forfeiture of Fee

- a) If the Stewards or Disciplinary Tribunal dismiss the Protest, or if the Protest is withdrawn by the Protestor, the Protest fee will be forfeited.

8 Vexatious Protests

- a) If, during a Hearing, the Stewards or Disciplinary Tribunal determine the protest is frivolous, malicious or vexatious or consider that the Protestor acted in bad faith, Protestor may be deemed to have breached these Rules.
- b) The Hearing shall be adjourned in order for the parties concerned to be charged with an Offence and summoned before the Stewards or Disciplinary Tribunal to answer such charge.
- c) If the parties are subsequently found to have breached the rules, the Stewards or the Disciplinary Tribunal shall impose a Penalty on the Protestor.

Tribunals**1 General**

- a) KA Tribunals are of three (3) distinct types, Disciplinary Tribunals, Appeal Tribunals and Investigatory Tribunals.
- b) Disciplinary Tribunals and Investigatory Tribunals are essentially minor courts and are established to deal with cases brought before them by KA or a SKA by way of charges against a person or groups subject to the Rules.
- c) Disciplinary Tribunals have two (2) primary functions:
 - (i) to determine whether or not a charge heard by them is proved, and if so, impose the appropriate penalty; or
 - (ii) to determine the appropriate penalty that should be imposed following a Stewards Hearing, where the Stewards have found the person in breach of the Rules and have recommended a penalty be imposed which is outside of their powers.
- d) Disciplinary Tribunals will always have the right to make any recommendation to KA or a SKA that may seem fitting and relevant following a Tribunal Hearing.
- e) Appeal Tribunals are appointed to hear an appeal arising from a decision by:
 - (i) The Stewards following a Hearing; or
 - (ii) A Disciplinary Tribunal ; or
 - (iii) An Investigatory Tribunal.
- f) Appeal Tribunals are obliged to confine their decisions to the matters actually appealed, though they are free to make recommendations to KA arising out of their deliberations.
- g) Investigatory Tribunals are appointed to enquire into matters nominated by KA or a SKA.
 - (i) Investigatory Tribunals are free to receive evidence and hear witnesses.
 - (ii) The Investigatory Tribunal shall make recommendations to KA or a SKA, make any necessary amendment to results of a competition, and/or if a breach of the Rules has occurred, impose an appropriate penalty.
- h) Tribunals also take judicial notice of decisions handed down by AMSAC.
- i) It is important to note that the task of judicial bodies is to fairly and as expeditiously as possible, enforce and apply the Rules.
In doing so the following points should be borne in mind:
 - (i) The prime function of the Tribunal is to do justice. Justice in this sense means the application of the Rules to a particular set of circumstances.
 - (ii) The task of a judicial body is the administration and enforcement of these Rules.
 - (iii) Tribunals and Stewards must avoid the temptation to apply or interpret Rules in a technical or convoluted manner so as to obtain a result which they see as justice.
 - (iv) It is not the task of a judicial body to form opinions as to the wisdom or otherwise of a Rule which they may be called upon to apply.
 - (v) When considering the application of the Rules and the matters covered within the Rules and in consideration of the facts of the matter before them, Tribunals and Stewards should at all times endeavour to apply the principles of what a reasonable person would consider to be a just finding on the intent of the Rules irrespective of whether or not they feel that there may be is some defect in the form of the Rules.

- j) At any Tribunal Hearing the person attending:
 - (i) must state their case in person;
 - (ii) may at the discretion of the Tribunal, have the assistance of the Competitor or where the Competitor is an entity, the legally authorised representative;
 - (iii) subject to Rule iv) below, if under eighteen years of age, must be accompanied by a parent or adult guardian who is a Participants Licence Holder;
 - (iv) will not be entitled to be assisted, have present or be represented in any circumstances by a person who is, or was, a legal practitioner.
- k) All persons that are directly involved in a Hearing will be given reasonable notice to attend the Hearing.
- l) At a Hearing, the Tribunal will provide a person, against whom a breach of the Rules is alleged, with an opportunity to be heard and to give evidence, ask questions and make submissions.
- m) To facilitate the conduct of a Tribunal Hearing a person must:
 - (i) upon receiving any notice (whether written or oral) to attend a Hearing, appear at the time and place notified;
 - (ii) fully co-operate in good faith with the Tribunal;
 - (iii) provide a full and truthful account of matters within their knowledge;
 - (iv) fully and truthfully answer any questions;
 - (v) at the request of the Tribunal, produce any document, image, video footage or any other thing in their possession or under their control;
 - (vi) not make any false or misleading statement to, or make a statement either calculated or likely to mislead.
- n) If any person at all fails to attend at the time and place of the Hearing, the Tribunal may conduct the Hearing and make their decision in absentia.
- o) Tribunals arising out of National level events will be convened by KA.
- p) Tribunals arising out of State and Club level events will be convened by the SKA that issued the Organising Permit.

2 Composition of Tribunals

- a) Certain basic qualifications are required of any person acting in a judicial capacity.
 - (i) They must not be involved personally or have any interest in the matter at issue,
 - (ii) they must have had no connection, other than as a spectator, with any Meeting where the matters arose;
 - (iii) they must have had no prior contact with, or made any decision affecting the matter at issue;
 - (iv) they must be impartial and must take into account only the evidence brought before them and
 - (v) they must act only in accordance with the body of law under which they are appointed.
- b) The Board and/or SKA Executive are not permitted to act as judicial Officials.
- c) It is not desirable for administrative Officials to act in a judicial capacity, especially in Tribunals, as frequently they are involved in prosecuting charges and it is undesirable to appoint active organisers and Competitors to such positions primarily because of their potential or actual interests in events or persons.

3 Location and Arrangement of Tribunals

- a) A Tribunal Hearing may be organised so as to facilitate either a face to face Hearing, by telephone or by video conference at the discretion of the Chairman of the Tribunal.
- b) A face to face Hearing will require a suitable room, with adequate space for the Tribunal, the parties and witnesses, and preferably in a neutral venue should be selected.

- c) Provisions must be made to record the Hearing in full.
- d) A party or a witness may, subject to the prior approval of the Tribunal, take part in the proceedings by telephone conference or video conference.

4 Time and Location of Disciplinary Tribunal Hearings

- a) Disciplinary Tribunals will be heard within twenty one (21) days after the conclusion of the Meeting, or the publication of the findings of the Stewards, whichever is the later unless the Disciplinary Tribunal orders otherwise at least forty eight (48) hours prior to the time scheduled for the Tribunal hearing.
- b) A Disciplinary Tribunal arising from a National level Event will generally be heard at the KA National Office or such other location or by such other means as the Disciplinary Tribunal in its absolute discretion may determine.
- c) A Disciplinary Tribunal arising from a State level Event will generally be heard in the State in which the event was held.

5 Disciplinary Tribunal Procedures

(For matters brought before it in accordance with General Rules, Chapter 13 Rule 1 c) (i))

- a) The Chairman should announce the opening of the Tribunal, stating its authority, its composition, and the purpose of the Hearing. Appearances by the parties are then taken.
- b) The accused is to be asked whether they object to any member sitting, if so, on what grounds. If no objection is received, the case proceeds.
 - (i) If an objection is received, it must be examined and may involve one (1) or more members being declared ineligible to sit. (If more than one (1) member steps down as ineligible the hearing must be adjourned, two (2) being the minimum number acceptable on the bench).
 - (ii) If the objections are not considered valid, they may be overruled by the Tribunal, and the case will then proceed. (In such case the objection must be noted and in due course included in the summary of the proceedings).
- c) The charge or charges shall then be read to the accused, either by a clerk of the Tribunal (if there is one) or by the Chairman and the accused will plead to each charge.
- d) If a plea of 'guilty' is received, the proceedings in such case may be shortened and proceed directly to representations regarding penalty.
- e) If a plea of 'not guilty' is received, the case proceeds as follows:
 - (i) The prosecution proceeds first and is normally required to produce evidence of the existence of a Rule and/or Rules allegedly breached, and evidence of the breach.
 - (ii) The prosecution may call witnesses, in which case the defence will be given the opportunity to cross-examine those witnesses.
 - (iii) The defence may then lead evidence in rebuttal of the prosecution's case.
 - (iv) The defence may call witnesses to give evidence on its behalf, in which case the prosecution will be given the opportunity to cross-examine those witnesses.
 - (v) The defence will then address the Tribunal, summarising the case for the accused. No new evidence may be presented during this address.
 - (vi) The prosecution will then address the Tribunal, summarising the case for the prosecution. No new evidence may be presented during this address.
 - (vii) The Tribunal will then determine the guilt or otherwise of the accused, adjourning the Hearing if necessary to do so. No other persons shall be present or partake in any discussion with the Tribunal at this stage, unless the Tribunal has both parties before it together.
 - (viii) If the Tribunal finds the charge not proved it shall dismiss the charges.

- (ix) If the Tribunal finds the charges or charges proved, it shall announce a finding of guilty and the hear argument on the question of penalty. Such argument shall be advanced by the prosecution, followed by representation by the defendant.
- (x) The Tribunal shall determine and announce whether a penalty is imposed, and if so its nature and extent if relevant (e.g: Suspension and its duration).
- (xi) The Tribunal may hear arguments if any on the question of costs and may make or not make an award of costs as is proper and fitting in all of the circumstances provided always that no costs shall be awarded against KA, a SKA or any member Club of a SKA.
- (xii) The Tribunal, will announce its findings to the parties, and if found guilty the penalty to be imposed.f) The judgement of the Tribunal shall include:
 - (i) reasons for the findings, and
 - (ii) if a penalty has been imposed, its nature and extent if relevant (e.g.: Suspension and its duration); and
 - (iii) the time and date at which the judgement was given.
- g) Such judgements may moreover include any recommendations which the Tribunal deems fitting.
- h) The Tribunal shall then deliver its judgement which may include any orders made, penalties to be imposed or directions as they may reasonably see fit by either:
 - (i) writing it down and reading it aloud to the parties concerned; or
 - (ii) writing it down and forwarding it by email to the parties concerned.
- i) Such judgement shall include a reminder to the parties of their rights of appeal.
- j) The Chairman will then declare the proceedings closed.

6 Disciplinary Tribunal Procedures

(For matters brought before it in accordance with General Rules, Chapter 13 Rule 1 c) (ii) – Application of Penalty from a Stewards Hearing for application of an additional penalty)

- a) By no later than 5:00pm on the Wednesday following the end of the Meeting, the defendant will be permitted to make a written submission dealing solely with the matter of the penalty that should be applied as a result of the Stewards Hearing that was conducted at a Meeting.
- b) The submission on penalty must be sent by email to:
 - (i) National Meetings: Discipline@karting.net.au.
 - (ii) State, Zonal & Club Meetings: To the relevant State Secretary.
- c) If no submission on penalty is received from the defendant by the time stipulated herein or as may be extended at the absolute discretion of the Tribunal Chairman, the defendant will be considered to have waived their right to make such submission to the Tribunal.
- d) The findings from the Stewards Hearing including their recommendation on the penalty to be imposed on the defendant and the submission on penalty (if any) received from the defendant, and a submission on penalty (if any) from KA (in the case of National Meetings) or the SKA (in the case of State, Zonal & Club Meetings), shall be forwarded to the Tribunal for their review and consideration.
- e) The Tribunal shall determine whether an additional penalty is to be imposed, and if so its nature and extent if relevant (e.g: Suspension and its duration).
- f) The judgement of the Tribunal shall include:
 - (i) reasons for the findings, and
 - (ii) if a penalty has been imposed, its nature and extent if relevant (e.g.: Suspension and its duration); and
 - (iii) the time and date at which the judgement was given.
- g) Such judgements may moreover include any recommendations which the Tribunal deems fitting.

- h) The Tribunal shall then deliver its judgement which may include any orders made, penalties to be imposed or directions as they may reasonably see fit by either:
 - (i) writing it down and reading it aloud to the parties concerned; or
 - (ii) writing it down and forwarding it by email to the parties concerned.
- i) Such judgement shall include a reminder to the parties of their rights of appeal
- j) The Chairman will then declare the proceedings closed.

7 Appeal Tribunal Procedures

- a) The Chairman will announce the Tribunal's authority, its composition and its purpose. Appearances by the parties are then taken.
- b) The parties are to be asked whether they object to any member sitting, if so, on what grounds. If no objection is received, the case proceeds.
- c) If an objection is received, it is to be handled in the same manner as prescribed for Disciplinary Tribunals.
- d) To shorten the proceedings, the parties may at this stage stipulate certain facts or the admissibility of certain documents (eg. if a transcript summary, or both, has been made available to the Tribunal and to both parties, of either proceedings giving rise to the Appeal, such may be stipulated as accurate on Appeal).
- e) The Appeal Tribunal must be restricted to the grounds of the Appeal which are stipulated in the Appeal proper and to the evidence previously presented. An Appeal Tribunal is not a re-hearing of the evidence and accordingly no new evidence is permitted to be produced.
- f) The appellant goes first, addressing the Tribunal. They should start by:
 - (i) briefly summarising the points they are going to make;
 - (ii) what evidence they will lead; and;
 - (iii) what, if any witnesses they will call.
- g) The appellant will then lead evidence, calling witnesses if they wish, and/or they may give evidence themselves.
- h) The respondent will be given the opportunity to ask questions in cross-examination of each witness.
- i) The respondent will follow similarly, also addressing the Tribunal and /or calling evidence. The respondent may also call witnesses to give evidence, in which case the appellant will be given the opportunity to cross-examine those witnesses.
- j) The respondent then makes their final address if they desire to do so. No new evidence may be presented during this address.
- k) The appellant then makes their final address if they desire to do so. No new evidence may be presented during this address.
- l) The Tribunal will then determine whether, and if so, to what extent the Appeal shall succeed, adjourning the hearing if necessary to do so.) The Tribunal may hear arguments, if any on the question of costs and may make or not make an award of costs as is proper and fitting in all of the circumstances provided always that no costs shall be awarded against KA, a SKA or any member Club of a SKA unless any of these bodies are an unsuccessful party.
- n) The judgement of the Tribunal shall include:
 - (i) reasons for the findings, and
 - (ii) if a penalty has been imposed, its nature and extent if relevant (e.g.: Suspension and its duration); and
 - (iii) the time and date at which the judgement was given.
- o) Such judgements may moreover include any recommendations which the Tribunal deems fitting.

- p) The Tribunal shall then deliver its judgement which may include any orders or directions as they may reasonably see fit by either:
 - (i) writing it down and reading it aloud to the parties concerned; or
 - (ii) writing it down and forwarding it by email to the parties concerned.
- q) Such judgement shall include a reminder to the parties of their rights of appeal
- r) A direction as to the disposition of the Appeal fee, either by way of its return to the appellant or forfeiture to KA or the relevant SKA if the appeal has failed.
- s) The Chairman will then declare the proceedings closed.

8 Investigatory Tribunal Procedures

- a) The Chairman should announce the opening of the Tribunal, stating its authority, its composition, and the purpose of the Hearing. Appearances by the parties are then taken.
- b) The Tribunal will determine the form of the hearing, including the manner of receiving evidence.
- c) The Tribunal will determine whether, and if so, to what extent, any rule or regulation has been breached, adjourning the hearing if necessary, in order to require parties concerned to be charged with an Offence and summoned before it.
 - (i) The Tribunal will act as if it is a Disciplinary Tribunal.
- d) The Tribunal may, if it is determined that the results of a competition have been incorrectly or improperly made out, make such order as it deems appropriate.
- e) The Tribunal may hear arguments, if any on the question of costs and may make or not make an award of costs as is proper and fitting in all of the circumstances provided always that no costs shall be awarded against KA, a SKA or any member Club of an SKA.
- f) The judgement of the Tribunal shall include:
 - (i) reasons for the findings, and
 - (ii) if a penalty has been imposed, its nature and extent if relevant (e.g.: Suspension and its duration); and
 - (iii) the time and date at which the judgement was given.
- g) Such judgements may moreover include any recommendations which the Tribunal deems fitting.
- h) The Tribunal shall then deliver its judgement which may include any orders made, penalties to be imposed or directions as they may reasonably see fit by either:
 - (i) writing it down and reading it aloud to the parties concerned; or
 - (ii) writing it down and forwarding it by email to the parties concerned.
- i) Such judgement shall include a reminder to the parties of their rights of appeal
- j) The Chairman will then declare the proceedings closed.

9 Witnesses and Examination

- a) Witnesses are presumed to be speaking the truth.
- b) They may be examined by the party calling them, and shall give evidence directly and/or by answers to questions.
- c) They may not be "led" on examination by the party calling them, that is to say, they may not be asked questions generally which put words into their mouths, though this is relaxed somewhat for formal identification, etc.
- d) On cross-examination this does not apply.
- e) Questioning may take the form of 'leading' or suggestions, and the opposing party is entitled to test the credibility of the other side's witnesses.
- f) Re-examination, ie. questioning by the witnesses' own side, is usually confined to clarification of matters raised in cross-examination.

10 The Nature of Evidence

- a) Tribunals are not bound by the rules of evidence or by practices or procedures applicable to persons exercising a judicial capacity in any court but may inform themselves as to any matter in any manner as they may see fit in all the circumstances.
- b) Direct evidence is usually the oral evidence of a witness (though it may include documentary evidence as below) and is given by some person who themselves saw or heard or otherwise perceived the fact or facts to which they testify.
- c) Hearsay evidence (ie. evidence that the witness was told something) is not valid evidence of the thing itself, and is usually inadmissible as such. A witness may have been told that a Kart went over a fence. All they can certify to as a witness is that they were told this and that they have no evidence that the Kart did go over the fence.
- d) Opinion is not in itself generally admissible. Opinions expressed by witnesses other than experts are valueless as evidence of the matter at issue. They are inadmissible.
 - (i) Should a party to a Hearing seek permission to produce expert evidence, they must provide to the Tribunal a written statement containing:
 - the name and address of the expert witness; and
 - the qualifications and experience of the witness the substance of the evidence it is proposed to seek from the witness.
 - (ii) When a person is accepted by the Tribunal as an "expert" in respect of the particular matter at issue must be in accordance with these Rules. For example, any engineer, or a doctor or even a noted Driver may qualify or be stipulated as an expert in their particular field, and hence give expert opinion as evidence. They will, however, be subject to cross-examination in such areas of evidence and their evidence will be evaluated, not by other experts in their field necessarily but by the Tribunal.
- e) Documents may be tabled in evidence; in such case, they must be proved as to their source, validity, relevance, etc. and to do so it may be necessary to call direct evidence (eg. an official letter from a company, a parts manual, etc.).
- f) Things may be submitted as evidence, to speak for themselves, as for instance a cylinder head in question. Other evidence is usually required to prove the authenticity or relevance of such 'real' evidence.
- g) Circumstantial evidence, the fact of the existence of a number of situations or occurrences or circumstances may be put in. It may be cogent (a man seen running from the otherwise deserted scene of an offence at the time it was committed) or it may be valueless, but it is admissible.
 - (i) It is not permitted to introduce, prior to conviction, any evidence relating to other convictions. However, should a person be found guilty of a charge, the fact of their earlier breaches of the Rules may relevantly be pressed in pleas as to penalty. They must be established, mere suspicion only of these is inadmissible unless, of course, admissions have been made by the accused person. Similarly it is forbidden to introduce material in addresses that could have been and should have been produced in evidence. Failure to give evidence is not in itself an admission of guilt, but it may give rise to certain conclusions by reasonable people; the innocent usually in human experience assert their innocence, and failure to do so while subject to examination is rightly capable of being interpreted as an admission of guilt.
- h) Judicial Notice. Certain facts need not be proved by evidence in respect of KA Tribunals. The general authority of the Tribunal to sit is assumed, if stated (subject to objections as to its individual members).

- (i) KA is agreed to be the authority over Karting activity in Australia;
 - (ii) The KA 'Australian Karting Manual' is taken to be an official KA publication, and the Rules included therein as applying to the Hearing.
 - (iii) People acting as Officials of a Meeting are assumed to have been properly appointed, though if called as witnesses they usually assert the same to be so;
 - (iv) KA is by statute entitled to intervene in any of its Tribunals, whether or not an opposing party.
 - (v) The meaning of the English language is presumed to be understood by ordinary people, and so on.
 - (vi) There would be no end to litigation if everything had to be proved.
- i) Video, photographic or other film evidence of an occurrence may be admitted as evidence.
- (i) Before such evidence can be admitted, it must be clearly identifiable and established that it relates to any occurrence under consideration.
 - (ii) A Tribunal should decide what weight can be given to such evidence bearing in mind other evidence given before the Hearing.
 - (iii) The video or film may be shown on as many occasions and at any speed as considered necessary by the Tribunal.
 - (iv) The Tribunal shall determine at their discretion when and how the video or film shall be presented or replayed.
 - (v) The audio component of the film or video may be muted if considered necessary by the Tribunal.
 - (vi) The video or film shall be viewed initially in total silence but the Tribunal may in their discretion decide whether at any subsequent playing it shall be accompanied by any comment by those present as witnesses, or as a party to the proceedings.

11 Degree of Proof

- a) In civil cases, the degree of proof is usually required only to be by the preponderance of evidence – they are settled on the balance of probability, ie, what seems most likely from the evidence. Although some social or sporting stigma may accrue to persons found guilty of a charge under the Rules of a sporting body, it is not usually sufficient to justify the necessity of proof “beyond reasonable doubt”, though such a case could arise.

12 General Conduct

- a) Though KA Tribunals do not have either the status or the authority of Courts of Law, though witnesses can neither be compelled to attend or give evidence, and though many of the parties and the Tribunal members are known to each other more or less well, there can be no justification for informality prevailing at hearings of Tribunals (other than in isolated instances of natural humour).
- (i) Formality, the maintenance of form, is a means of ensuring that
 - all the things that ought to be done are in fact done in an orderly manner and
 - that nothing that should not be done is done.
 - (ii) An added effect is that of natural gravity, the ceremony associated with formality always lending to proceedings the appropriate air of seriousness.
- b) Informal proceedings may achieve a just end, but they seldom appear to do so. The Tribunal in such cases loses stature and authority and the law itself becomes, or may become, an object of contempt. The use of first names, the relaxing of basic rules of evidence, lapses from decorum, the permissibility granted to interjectors, the acceptance of casual or intemperate behaviours -these add nothing to the Tribunal's stature and take much away from its purposes.
- c) The conduct of any Tribunal is a question for the Chairman, and it is to the advantage of all if they insist upon the above guidelines being followed.

Appeals

1 Types of Appeals

- a) There are four (4) kinds of appeals on sporting matters:
 - (i) An appeal from a decision of the Stewards, to an Appeal Tribunal.
 - (ii) An appeal from a decision of a Disciplinary Tribunal to an Appeal Tribunal.
 - (iii) An appeal from a decision of an Investigatory Tribunal to an Appeal Tribunal.
 - (iv) An appeal from a decision of an Appeal Tribunal to the AMSAC.

2 Right of Appeal to an Appeal Tribunal

- a) The right of appeal against a decision made as a result of a Hearing is available to an appellant following:
 - (i) a Stewards Hearing only if the matter is not referred to a Disciplinary Tribunal; or
 - (ii) a Disciplinary Tribunal, or
 - (iii) an Investigatory Tribunal.
- b) The right of appeal is available only on the following grounds:
 - (i) the severity of the Penalty; and/or
 - (ii) an error in the application and interpretation of the Rules; and/or
 - (iii) Natural Justice having been denied at the relevant Hearing.
- c) Neither the appellant nor the respondent may produce any new evidence at the appeal without the prior written permission of the Tribunal. Any such request to produce new evidence must be submitted with the Notice of Appeal. The Tribunal shall not give permission to produce new evidence unless:
 - (i) the evidence could not by reasonable diligence have been obtained by the appellant prior to the conclusion of the Hearing; and
 - (ii) which is of sufficient value that, considered with other evidence which was before the Hearing, the Stewards or Disciplinary Tribunal may have reached a different decision.
- d) KA or an SKA may appeal to an Appeal Tribunal, if they are satisfied that an appeal should be brought in the best interests of Karting.
 - (i) These bodies shall cause notice of an Appeal to be served on the respondent within thirty (30) days after the handing down of the decision, setting out the grounds of the Appeal, however they will not be required to pay an appeal fee.

3 Procedures, Time Limits and Fees for Lodgement of an Appeal to an Appeal Tribunal

- a) Notice of Intention to Appeal
 - (i) The form of the Notice of Intention to Appeal is available at www.karting.net.au
 - (ii) Within thirty (30) minutes of being advised of the Stewards' decision (for matters brought before it in accordance with General Rules, Chapter 11 Rule 3) against which an appellant seeks to appeal, the appellant must lodge the Notice of Intention to Appeal with the Stewards.
 - (iii) Within 24 hours of being advised of the Disciplinary Tribunals decision in writing (for matters brought before it in accordance with General Rules, Chapter 13 Rule 1 c)) against which an appellant seeks to appeal, the appellant must lodge the Notice of Intention to Appeal with the Tribunal.
 - (iv) The Notice of Intention to Appeal must be accompanied by the Appeal fee.

- (v) The right to Appeal is automatically forfeited if the appellant does not provide the written Notice of Intention to Appeal and the appeal fee within the specified time.
- b) Notice of Appeal
- (i) The form of the Notice of Appeal is available at www.karting.net.au.
- (ii) The Notice of Appeal must be lodged prior to midnight on the third (3rd) day after being advised of the Stewards' or Disciplinary Tribunals decision against which an appellant seeks to Appeal.
- (iii) The Notice of Appeal must be lodged by email to:
- For National level events:
Email: admin@karting.net.au
 - For State and Club level events:
KA Appeal Tribunal Secretary **SKA Tribunal Registrar**
Addressed to **C** the host SKA Office Location as indicated in the Rules.
- (iv) The Notice of Appeal must confirm the intention to Appeal and must contain all matters which the appellant intends to raise before the Appeal Tribunal.
- (v) The right to Appeal is automatically forfeited if the appellant does not lodge the Appeal with Appeal Tribunal within the time provided in these Rules.
- c) Appeal Fees
- (i) The following Appeal Fee must accompany the Notice of Intention to Appeal:
- For National level events (**National Championship, National Series, State Championship and National Cup events**) an Appeal Fee of \$3,850 inc GST.
 - For State, Zonal and Club level events an Appeal Fee of \$715 inc GST.
- (ii) For the sake of clarity, the Appeal Fee may be paid either by:
- 1) Cash; or
 - 2) Cheque; or
 - 3) Credit Card (Visa or Mastercard).
- If credit card facilities are not available at the Meeting, the credit card number, name of the credit card holder, the expiry date and CSV number must be recorded on the Notice Of Intention to Appeal Form.
 - If at the time of processing the Appeal Fee, the payment is rejected or unable to be completed through lack of funds in the account, the Notice Of Intention To Appeal will be considered to have lapsed and the Licence of the appellant will be Suspended until the Appeal Fee has been paid.
- (iii) The Appeal Fee remains payable even if the appellant does not follow up the declared Notice of Intention to Appeal.
- (iv) No part of the Appeal Fee will be returned to the appellant if the Appeal is withdrawn at any time or if Appeal Tribunal rejects the Appeal.
- (v) If the Appeal Tribunal finds the Appeal partly founded, the Appeal Tribunal may order a part of the Appeal Fee be returned to the appellant.
- (vi) If the Appeal Tribunal upholds the Appeal, the Appeal Tribunal may in its discretion order part or all of the Appeal Fee be returned to the appellant.

4 Status of an Appellant

- a) Subject to the provisions of the Rules, delivery of the Notice of Intention to Appeal to the Stewards, Disciplinary Tribunal of Investigatory Tribunal and lodgement of the Notice to Appeal will not affect the validity or operation of any decision or order of the Stewards or the Disciplinary Tribunal or the Investigatory Tribunal, the subject of the Appeal.

- b) Delivery of the Notice to Appeal to the Stewards or the Disciplinary Tribunal or the Investigatory Tribunal will only have the effect of suspending the operation of the following types of Penalties:
- (i) a reprimand,
 - (ii) a fine,
 - (iii) a deduction of series' points,
 - (iv) a Suspension or Exclusion;
- until such Penalty/ies are either:
- (i) confirmed or rejected by the Appeal Tribunal; or
 - (ii) the appellant defaults in prosecuting the Appeal.
- c) An Appeal against any Penalty other than those mentioned in Rule b) above will not set aside the Penalty pending the outcome of the Appeal.

5 Location of Appeal Tribunal Hearings

- a) An Appeal will generally be heard in the State in which the event was held.
- b) The Appeal Tribunal may in its discretion decide to facilitate the Hearing by teleconference or video conference.
- c) Appeals arising from a National level event may be heard in a different State from that where the event was hosted at the absolute discretion of the Appeal Tribunal.
- d) Appeals will be heard within twenty one (21) days after the conclusion of the Meeting, or the publication of the findings of the Stewards or Disciplinary Tribunal, whichever is the latter from which the Appeal arose unless:
- (i) The Appeal Tribunal orders otherwise at least forty eight (48) hours prior to the time scheduled for the hearing of the Appeal; or
 - (ii) any other place or time and day as agreed by Appeal Tribunal with the parties to the Appeal.

6 Appellant to Facilitate Hearing

- a) To facilitate hearings by the Appeal Tribunal, an appellant must:
- (i) appear at the time and place set for the hearing of the Appeal;
 - (ii) fully co-operate in good faith with the Appeal Tribunal;
 - (iii) provide the Appeal Tribunal with a full and truthful account of matters within their knowledge;
 - (iv) fully and truthfully answer any questions;
 - (v) at the request of the Appeal Tribunal, produce any document, image, videotape or any other thing in their possession or under their control;
 - (vi) not make any false or misleading statement or a statement that is either calculated to or likely to mislead, the Appeal Tribunal.
- b) At any Appeal Hearing if a person, or a person's witnesses, fails to attend at the time and place as required, in their absence the Appeal Tribunal may determine the Appeal.
- c) An appellant who, in the opinion of the Appeal Tribunal, fails to comply with any of the requirements of this Rule, may be dealt with by the Appeal Tribunal as it sees fit in its absolute discretion.
- d) An appellant's attendance, including that of their witnesses, at an Appeal Tribunal Hearing and associated costs shall be at the Appellant's sole cost.

7 Powers to Impose a Penalty

- a) An Appeal Tribunal may impose or vary any penalty provided such imposition or variation is within the range of penalties it is empowered to impose pursuant to the provisions of these Rules.
- b) An Appeal Tribunal may not order a Race to be re-run.

- c) An Appeal Tribunal may alter any decision made by an Official or Officials or by a SKA.
- d) An Appeal Tribunal shall not alter a decision of the Board.

8 Decisions Binding

- a) All parties to the Appeal will be bound by the decision, and any consequent orders, of the Appeal Tribunal, subject only to their right of Appeal to AMSAC.

9 Vexatious Appeal

- a) If the Appeal Tribunal comes to the conclusion that the Appeal was frivolous, vexatious or the appellant has acted in bad faith, the Appeal Tribunal may adjourn the hearing in order for the parties to be charged with an offence and summoned before them to answer such charge.
- b) The Tribunal will then act as a Disciplinary Tribunal.
- c) If the parties are subsequently found to have breached the Rules, the Tribunal shall impose on the appellant, any Penalty pursuant to the Rules.

10 Appeals to AMSAC

- a) AMSAC is the final court of Appeal in respect of Karting, as administered by KA in Australia.
- b) The decision of an Appeal Tribunal may be appealed to AMSAC.
- c) The AMSAC shall constitute a final court of appeal empowered to settle finally any dispute arising out of or in connection with the control by KA of Kart Competitions within its territory save as specifically provided in these Rules.
- d) Hearings of Appeals by AMSAC will be in accordance with the rules of AMSAC as described in the current Motorsport Australia Manual of Motorsport.
- e) The awarding of costs will be in accordance with the rules of AMSAC as described in the current Motorsport Australia Manual of Motor Sport.

Communicable Diseases**1 Definition**

- a) A Communicable Disease means any disease which can be transmitted by means of any substance or agent from any organism to another organism where:
- the substance or agent includes, but is not limited to, a virus, bacterium, parasite or other organism or any variation thereof, whether deemed living or not, and
 - the method of transmission, whether direct or indirect, includes but is not limited to, airborne transmission, bodily fluid transmission, transmission from or to any surface or object, solid, liquid or gas or between organisms, and
 - the disease, substance or agent can cause or threaten bodily injury, illness, emotional distress, damage to human health, human welfare or property damage.

2 Effect on Insurance

- a) KA provides various insurance policies for the benefit of Licence Holders including but not limited to Group Personal Accident and Public and Product Liability Insurance (the "Insurance Policies").
- b) Notwithstanding any provision to the contrary within the Insurance Policies, the Insurance Policies do not cover all actual or alleged loss, liability, damage, compensation, injury, sickness, disease, death, medical payment, defence cost, cost, expense or any other amount, directly or indirectly and regardless of any other cause contributing concurrently or in any sequence, originating from, caused by, arising out of, contributed to by, resulting from, or otherwise in connection with a Communicable Disease or the fear or threat (whether actual or perceived) of a Communicable Disease.

3 COVID-19

- a) Background
- COVID-19 is a Communicable Disease.
 - On 27 February 2020, the Prime Minister declared the COVID-19 outbreak a National Pandemic.
 - On 15 March 2020, the KA Board, recognising that the impact of the pandemic would change rapidly over time necessitating an appropriate, rapid response, delegated full authority to the CEO to manage the KA response to the COVID-19 pandemic, to act in the best interest of karting and in line with Government and community expectations and to do whatever may be considered by him to be necessary to respond to, for and with the SKA's, Clubs and Licence Holders for as long as may be required.
- b) Guiding Principles
- To protect the wellbeing, health and safety of the Australian karting community – Licence Holders, Officials, Clubs, SKA's and stakeholders (the "Karting Community") at all times.
 - Government restrictions, declarations and orders must always be complied with.
 - To ensure that whenever Government restrictions, directions and orders allow Karting Activities, Competition and Meetings (the "Karting Activity") to take place, that KA, the SKA and Club do all that is reasonably required to allow the Karting Activity to be conducted at Clubs' in a COVIDSafe way and in accordance with the Rules.

c) Key Requirements

To reduce the risk of the virus, there is an ongoing need for every person to do all things reasonably necessary to protect both themselves and all others in the Karting Community and the broader community. To that end, KA requires that:

- i. A Club must maintain and enforce a COVIDSafe plan that complies with the Rules and all government requirements for their jurisdiction.
- ii. Each Karting Activity is conducted in accordance with KA COVIDSafe rules, requirements and Regulations and under a KA COVIDSafe Organising Permit.
- iii. No person who has symptoms consistent with COVID-19 (including but not limited to: fever, respiratory symptoms, shortness of breath, sore throat, cough, lack of smell or fatigue) is permitted to attend the Club's Circuit or participate in a Karting Activity.
- iv. A person intending to attend a Karting Activity at a Club's Circuit, must complete any contact tracing form (including but not limited to QR Code check-in form) that may be required in accordance with the Supplementary Regulations for the Karting Activity or before entering the Club's Circuit.
- v. A person while attending a Karting Activity will apply the virus control and mitigation measures of, but not limited to physical distancing, good hand hygiene and sanitising and coughing/sneezing etiquette.
- vi. A person who starts to feel unwell or to exhibit symptoms of COVID-19 during a Karting Activity must immediately avoid contact with all persons at the Circuit and immediately leave the Circuit.



**THAT CAN'T
BE ME**



REMO RACING



iame
THE HEART OF KART

KA100

The hugely successful 100cc engine
powering Australian karting!

100cc air cooled Reedjet engine specifically
designed for Australian Karting.

TaG electric start. All components included.
Australian Kart Championship racing classes.

Imported & distributed exclusively
in Australia by REMO RACING

remoracing.com.au

Proudly supporting
Australian karting since 1984



REMO
RACING

     remoracing



Castrol EDGE

iame VORTEX LECONT MAXXIS



KARTING
AUSTRALIA



Never Miss a Moment

2022 SUPERCARS CORPORATE EXPERIENCES

Expressions of interest for 2022 are open now.

Tickets are available for shared and private experiences.

Visit corporate.supercars.com and register for more information.



**CORPORATE
EXPERIENCES**





BRING A MATE

KARTING
AUSTRALIA

*Mates Race
Together*



KARTING
AUSTRALIA



Competition Rules



General Competition Rules**1 General**

- a) These Competition Rules
 - (i) apply to each Meeting conducted in Australia.
 - (ii) are to be read in conjunction with any Class, Championship or Series Sporting Regulations and/or State Regulations which have been approved by KA.

2 Direction of Racing

- a) The direction of racing
 - (i) must be in accordance with the requirements of the Circuit Licence.
 - (ii) will be set out in the Supplementary Regulations for a Meeting.
- b) During a Meeting, a Kart may only travel in the direction of racing indicated in the Supplementary Regulations.
- c) Drivers who are involved in an incident, may momentarily travel against the direction of racing, whilst they are attempting to re-join the Competition. The onus is on the Driver to ensure this action is undertaken in a safe manner and does not impede other Drivers.

3 Meeting Program

- a) For National level Meetings the Organiser must produce a Meeting program.
- b) For State, Zonal and Club level Meetings, it is highly recommended that the Organiser produce a Meeting program.
- c) The Meeting program will list the starting and finish times for each Competition at a Meeting.
- d) The Meeting program must be included in an Addendum to the Supplementary Regulations for the Meeting.

4 Alterations to a Competition

- a) The Race Director/Clerk of the Course, with the permission of the Stewards in exceptional circumstances may make alterations to a Meeting program.
- b) The Race Director/Clerk of the Course, with the permission of the Stewards in exceptional circumstances may adjust the duration of any practice or qualifying session.
- c) The Race Director/Clerk of the Course, with the permission of the Stewards in exceptional circumstances may shorten the duration of a Heat and/or Race.
- d) The Race Director/Clerk of the Course, with the permission of the Stewards may shorten the duration of a Heat and/or Race if only one (1) Kart is still Competing in that Competition.

5 Competitors Under Eighteen (18) Years of Age

- a) A Competitor under the age of eighteen (18) years who is called before an Official, must be accompanied by their Participant's Licence holder before being addressed by an Official.

6 Driver's Briefing

- a) Each Competitor and Driver entered for a Meeting must attend a Competitors and Drivers' Briefing at the scheduled time and place.
- b) The time and place of the Competitors and Drivers Briefing will be listed in the Supplementary Regulations for the Meeting.
- c) One (1) Competitors and Drivers Briefing will take place at a Meeting.
- d) A Driver under the age of 18 years old, must be accompanied by their Participant's Licence holder at the Competitors and Drivers Briefing.

- e) In exceptional circumstances an additional Competitors and Drivers Briefing may take place at a Meeting at the discretion of the Clerk of the Course.
- f) Note, that in accordance with General Rule's Chapter 15 – Communicable Diseases, KA may require that a massed gathering Driver's briefing be replaced by either:
 - (i) written Driver's Briefing notes, distributed to all Competitors and Drivers entered for the Meeting by email or some other digital medium; or
 - (ii) an audio or video recording of the Driver's Briefing distributed to all Competitors and Drivers entered for the Meeting by email or some other digital or **broadcast** medium.

7 Safety Apparel

- a) Each Driver must at all times while driving a Kart on a Track wear apparel in accordance with the Rules.
- b) A Driver who is involved in an incident and cannot retreat behind a protective barrier during Competition, must not remove any piece of their apparel until that Competition has concluded.
- c) A Driver who DNF's during any Competition and is transported back to the pit area aboard a motorised retrieval vehicle/trailer, must not remove any piece of their apparel until they have arrived back at the pit area and disembarked from the motorised retrieval vehicle and then only after it has come to a complete stop.

8 Injured Driver Clearance

- a) A Driver who is injured or appears to be injured, may be instructed by the Stewards, the Clerk of the Course or their delegate to obtain a written medical clearance from a qualified medical practitioner.
- b) Such Driver will be required to present the written medical clearance to the Stewards to allow them to decide at their absolute discretion if the Driver is to be permitted to continue to Compete in the Meeting.
- c) The decision of the Stewards in this regard is not able to be appealed.

9 Consolidation of Classes

- a) The consolidation of Classes Rules have been developed so as to provide all Competitors at a Meeting with more time on Track.
 - (i) The Meeting Organisers and Stewards are very strongly encouraged to consolidate under-subscribed Classes/Divisions in accordance with the Rules so as to provide more quality time on Track for all Competitors.
 - (ii) For the sake of clarity, following the Start of a Race in which two (2) or more Classes/ Divisions are consolidated, a Driver is permitted to Race all Drivers on the Track, which for the avoidance of doubt, means that they may overtake each other in accordance with the Rules.
- b) For Meetings other than the National Championship the following Classes may be consolidated subject to the Track density indicated in these Rules:
 - (i) Senior Classes/Divisions may be consolidated.
 - (ii) Junior Classes/Divisions may be consolidated.
 - (iii) Cadet 9, Cadet 12 and 4SS Cadet Classes may be consolidated.
 - iv) When two (2) or more Classes/Divisions are consolidated, the theoretically slower Class/ Division will be arranged on the grid at the rear of the theoretically faster Class/Division in accordance with the following examples:
 - a. Cadet 9 and 4SS Cadet Competitors will be arranged on the grid at the rear of the Cadet 12 Competitors
 - c. KA4 Junior Competitors will be arranged on the grid at the rear of the KA3 Junior Competitors
 - d. 4SS Junior Competitors will be arranged on the grid at the rear of the KA3 and KA4 Competitors

- e. TaG Restricted Competitors will be arranged on the grid at the rear of the TaG 125 Competitors
- f. 4SS Clubmaxx Senior Competitors will be arranged on the grid at the rear of the Supermaxx 4SS Super Competitors and so on.

Note: "theoretically slower" and/or "theoretically faster" means that a kart in a Class or Division in a Race that has two or more Classes or Divisions consolidated in it, is the kart that is expected to be either slower or faster than another Class/Division in the Race based on engine capacity/horsepower or power to weight ratio of the karts in the Race.

- (v) When two (2) or more Classes/Divisions are consolidated, the Race results and points allocation will be based on each individual Class/Division.
 - (vi) Where Classes are consolidated at Club level Competition, a single weight Division may be applied through State Regulations.
 - (vii) If a lighter weight Class/ Division is not Competing at a Meeting a Maximum Kart weight will not apply.
- c) Only the following age divisions may be on a Track at the same time. For the avoidance of doubt this includes any **Competition and/or Karting** Activity on a Track which holds a Circuit Licence issued by KA:
- (i) Cadet 9, Cadet 12 and 4SS Cadet drivers are permitted on a Track at the same time;
 - (ii) Junior drivers are not permitted on the Track with any other age division;
 - (iii) Senior drivers are not permitted on the Track with any other age division.

10 Timing Transponders

- a) Each Competitor must have a functioning MYLAPS compatible timing transponder fitted to their Kart for the purposes of timing during each Competition at a Meeting.
- b) Each Competitor will at all times be responsible for the correct fitting, maintenance and operation of the transponder in each Competition at a Meeting.
- c) If a Competitor changes the transponder that is fitted to their kart at any time during a Meeting, they must advise the Chief Timekeeper of the change of the details of the transponder as soon as possible and before their next Competition in the Meeting.

11 Competition Numbers

- a) Each Kart must display a Competition number at all times whilst on a Track. Irrespective of the background colour, Competition numbers must be clearly legible at all times during a Meeting.
- b) The Chief Timekeeper, Chief Scrutineer and Clerk of the Course decision as to legibility of numbers is final.
- c) Competition numbers must contain a Maximum of two (2) digits.
- d) The number 0 or a Competition number preceding with 0, e.g. 05, is not permitted.
- e) Unless otherwise approved by KA, the competition number must be displayed at the front and rear of a Kart in accordance with the following specifications:
 - (i) Must be mounted on the outside surface of the:
 - Nassau panel at the front of a Kart; and
 - On the number plate mounted to the bumper at the rear of a Kart or on the Rear Impact Protection.
 - (ii) A Minimum of 125mm high.
 - (iii) A Minimum of 20mm thick.
 - (iv) Either plain or italic font type.
 - (v) Appropriate colour numeral.
 - (vi) On a background of the appropriate colour.
 - (vii) Have a Minimum of 15mm to all edges of the background.
 - (viii) For double digit numbers, there must be a Minimum of 15mm spacing between each digit.
 - (ix) The background colour must be continuous.

- f) Unless otherwise approved by KA, competition numbers must be displayed on each side of a Kart in accordance with the following specifications:
- Must be mounted on the outside surface of each side pod.
 - A Minimum of 100mm high and a Minimum of 15mm thick.
 - Either plain or italic font type.
 - Appropriate colour numeral.
 - On a background of the appropriate colour.
 - The background colour must be continuous.
- g) Unless otherwise approved by KA, competition numbers and background colours will be in accordance with the following criteria:

	Background Colour	Number Colour	Allocated Number	Conditions
General				
Senior Classes	Yellow	Black	N/A	
Junior Classes	White	Black	N/A	
Cadet Classes	White	Red	N/A	
National Level Championships and Series and State Championship				
Australian Kart Championship - National Champion	Green	Yellow	1	<ul style="list-style-type: none"> May only be used in the same Class in which it was awarded. May be used in all Meetings. May be used from the end of the National Championship in which it was earned until the end of the next National Championship. The number "1" is only permitted to be used by the National Champion.
National Series - Champion	Red	White	1	<ul style="list-style-type: none"> May only be used in the same Class in which it was awarded. May be used in all Meetings. May be used from the end of the National Series in which it was earned until the end of the following year's National Series. The number "1" is only permitted to be used by the National Series Champion for National Series events for the following year.
State Kart Championship - Champion	Blue	White	N/A	<ul style="list-style-type: none"> May only be used in the same Class in which it was awarded. May be used in all Meetings. May be used from the end of the State Championship in which it was earned until the end of the following year's State Championship or the end of the following Year, whichever comes sooner. The number "1" is not permitted to be used

	Background Colour	Number Colour	Allocated Number	Conditions
Recognised One-off Events (The following Events are the only Events recognised by KA as having 'Plate Status')				
Ultimate Club Racer – Winners (National Cup)	Silver	Black	N/A	<ul style="list-style-type: none"> • May only be used in the same Class/Division in which it was awarded. • May be used in all Club Meetings and the following year's Ultimate Club Racer National Cup Meeting • May be used from the end of the Meeting in which it was earned until the end of the following year's Meeting or the end of the following Year, whichever comes sooner. • The number "1" is not permitted to be used
Australian Kart Masters - Winners (National Cup)	Grey	White	N/A	<ul style="list-style-type: none"> • May only be used in the same Masters Class/ Division in which it was awarded. • May be used in all Meetings. • May be used from the end of the Meeting in which it was earned until the end of the following year's Meeting or the end of the following Year, whichever comes sooner. • The number "1" is not permitted to be used
State Cup (as designated by the SKA) - Winners	Black	White	N/A	<ul style="list-style-type: none"> • May only be used in the same Class/Division in which it was awarded. • May be used in all State level Meetings (in the same State) in which it was awarded. • May be used from the end of the Meeting in which it was earned until the end of the following year's Meeting or the end of the following Year, whichever comes sooner. • The number "1" is not permitted to be used
4SS State Trophy (as designated by the SKA) – Winners	Orange PMS 165C	White with Black Outline Stroke	N/A	<ul style="list-style-type: none"> • May only be used in the same Class/Division in which it was awarded. • May be used in all State level Meetings (in the same State) in which it was awarded. • May be used from the end of the Meeting in which it was earned until the end of the following year's Meeting or the end of the following Year, whichever comes sooner. • The number "1" is not permitted to be used

- h) A Driver who holds an E Grade licence or D Grade provisional licence or who has any specific condition or conditions applied to their licence by KA or an SKA, which for the sake of clarity may include a medical condition or conditions that do not preclude the Driver from driving a Kart must clearly display a "P" plate on the rear of the Kart at all times whilst they are on a Track.
- i) In the event of two (2) Karts with the same number competing in any one Class/Division at a

Meeting where numbers are not allocated by the Organisers, the Driver who entered the event first will be entitled to use their preferred number.

12 Observed Driving

- a) Stewards and/or Clerk of the Course have the right to:
 - (i) Submit any Driver to undertake official practice laps for observation; and
 - (ii) Decide whether or not any Driver reaches such standards as they may deem necessary.

13 Driver's Ducking Head and/or Shaking Hands

- a) A Driver is not permitted to duck their head in a manner which will impede their forward vision during a Competition.
- b) A Driver is not permitted to shake hands with another Driver whilst driving.

14 Reaching Baulk Line

- a) Karts that fail to start or need to be restarted before reaching the Baulk Line must be immediately removed from the Track or returned to the out grid to start.
- b) Prior to attempting to restart a Kart, the Competitor must get permission from a Grid Marshal.

15 Stopping on the Track / Stalled Kart

- a) A Driver whose Kart stalls at the Start of or during a Competition must hold one arm vertically above their head as a warning to the other Drivers on the Track.
- b) If for any reason a Driver is forced to stop their Kart on or near the Track, it will be their duty to place their Kart in such a position so as to minimise the danger or obstruction to other Drivers.
- c) Any Driver who is unable to restart their Kart and drive off within 15 seconds of an incident, without breaching any Rules, must as soon as it is safe to do so, exit their Kart and place themselves and their Kart in a safe position.
- d) No person may approach a stalled Kart until the remaining Drivers have passed the stalled Kart and it is safe to do so.
- e) A stalled Kart must be removed from the Track by the Driver and/or Officials.

16 Driver Age Restrictions

- a) Other than at National Championship, National Series and National Cup Events; Cadet 9, Cadet 12 and Junior Drivers will not be permitted to practice, qualify or Race on the Track at a Meeting other than on a Saturday and Sunday other than on a public holiday in that State or during School Holidays.
- b) Cadet 9, Cadet 12 and Junior Drivers who wish to Compete in a National Championship, National Series or National Cup Meeting must comply with the provisions of the KA Elite Junior Participation Policy which is available at www.karting.net.au.

17 Warm Up

- a) An Organiser may schedule time for a warm up for all Competitors on the first day of Practice or Competition for the Class in which they are Competing.
- b) When a warm up is conducted at National level Meetings it must be a Minimum of five (5) minutes in duration.

18 Practice

- a) Practice sessions may take place at a Meeting.
 - (i) One (1) or more practice sessions may be scheduled at a Meeting for a Class.
 - (ii) Practice will be part of a Meeting.
 - (iii) Practice may be a Competition.

- (iv) Practice may be timed.
- b) During a practice session, a Competitor must only use a Kart which complies with the Rules including the relevant Class Rules
- c) Practice Discretion
 - (i) A Driver who does not participate in any practice session at a Meeting may be permitted to Compete at that Meeting at the discretion of Stewards. The decision of the Stewards in this regard may not be appealed.

19 Qualifying

- a) For National Championship, National Series and State Championship Meetings the Organiser must program one (1) qualifying session per Class.
- b) Each qualifying session must be a Minimum of eight (8) minutes and a Maximum of ten (10) minutes in duration.
- c) For all other Meetings or specific Races that require qualifying to determine grid positions, the Organiser must program one (1) qualifying session per class of a minimum of six (6) minutes in duration.
- d) Weaving in a safe manner to warm Tyres during the first lap of the qualifying session is permitted.
- e) Timing for each qualifying session will commence when the out-grid gate is opened.
- f) The out-grid gate will remain open from the start of the session until all eligible karts have left the out-grid.
- g) The chequered flag will signal the end of a qualifying session and will be shown after the designated qualifying session time has elapsed. Drivers will continue to be timed until the completion of their lap.
- h) The fastest single lap for each Driver, from all qualifying sessions, for each Class, will determine their respective grid positions for their Event.
- i) In the event of a tie, the second fastest lap for each Driver will determine the grid position. In the event of a further tie, the third fastest lap for each Driver will determine the grid positions and so on until the tie is broken.
- j) At events other than National Championship, National Series and State Championship Meetings, the first qualifying session for a Class may be run simultaneously with practice and/or warm up sessions when noted in the Supplementary Regulations for the Meeting.
- k) Failure to Register a Qualifying Time
 - (i) A Driver who fails to record a time during a qualifying session for any reason other than through the fault of an Organiser, may be permitted to continue Competing in that Class at the Meeting.
 - (ii) The Driver must seek the permission of the Stewards to continue to Compete. The decision of the Stewards in this regard may not be appealed.
 - (iii) Subject to the Stewards approval, the Driver will be placed at the rear of the Grid for the relevant Class.
- l) Exceptional Qualifying Circumstances
 - (i) If due to exceptional circumstances a qualifying session cannot take place or cannot be completed, the Stewards may allocate grid positions according to timed practice session times.

20 Grid Determination

- a) At the end of qualifying, the times achieved by each Driver will be officially published.
- b) Unless otherwise outlined in the Supplementary Regulations for a Meeting, all grid positions will be determined by the qualifying times from fastest to slowest.

- c) Competitors who are Disqualified from the qualifying session will be permitted to start from the rear of the grid.
 - (i) Such Competitors will be placed on the grid in order of timed practice times from fastest to slowest.
- d) If qualifying has not taken place, provisional licence holders must start at the rear of the entire Field.

21 System of Gridding

- a) At National Championship and National Series Meetings the system of gridding will be stipulated in the Championship Sporting Regulations.
- b) A Grid Marshal shall make an announcement requiring all Competitors to the grid. Should this time be listed in the Meeting program an announcement will not be required.
- c) A Grid Marshal will allow two (2) minutes for all grid positions to be filled.
- d) A Competitor is permitted a Maximum of two (2) nominated pit crew to assist on the 'in and out-grids'. The pit crew must display all the credentials required for that Meeting.
- e) Should a grid position not be occupied at the end of this two (2) minutes, the vacant position will be occupied by the next fastest Competitor so the grid does not have any vacant positions.
- f) The Driver who has qualified fastest will be on pole position and can select which side of the grid they wish to start from.
- g) The Driver who has qualified second fastest will assume the grid position opposite the Driver on pole position.
- h) All other grid positions will not be altered.
- i) Once the first Kart has crossed the Bauk Line, a Driver will have one (1) lap to clear the grid. The one (1) lap will end once the peloton of Karts has passed the out-grid gate.
- j) Drivers must leave the grid in an orderly manner.
- k) A Competitor's nominated pit crew may undertake work on a Kart which is not able to start during this one (1) lap period.
- l) Once this one (1) lap period has elapsed, the out grid gate is considered closed and the Drivers are under the Starters control. Any Karts still on the out grid, or on the exit of the out grid at this time will be deemed non-starters for that Competition.
- m) At temporary Circuits it may be stipulated that an inline start will be used. If specified, a single line formation in grid order must be maintained until the starting signal is given.

22 Start Procedure

- a) The start procedure outlined in this Rule may be varied for National Competition Meetings. Any variations must be published in the Championship/Series Sporting Regulations and/or the Supplementary Regulations for the Meeting.
- b) Le Mans type starts are forbidden.
- c) From the moment the Drivers come under the Starters control until the time that the start signal is given, the Starter shall fulfil all the duties of Clerk of the Course.
- d) Rolling Starts
 - (i) From the moment the Grid Marshal signals for the Karts to be released, the Drivers are under "Starter's Orders" and may not receive any outside assistance for repairs or other adjustments to their equipment while on the Track. From the moment the Start procedure commences, Race conditions apply.
 - (ii) Whenever a Kart is on the Track it is forbidden to receive any assistance, other than to remove the Kart to a place of safety.

- (iii) A Driver must maintain their grid position until the Start signal has been given and failure to do so may incur a penalty. The Starter will be in a position near the Starting area. Drivers who raise their hands unnecessarily will incur a penalty.
- (iv) The Drivers will complete one (1) rolling lap and a formation lap prior to the Start signal being given.
- (v) During the rolling lap and formation lap, yellow lights/flags will be displayed to Drivers.
- (vi) The rolling lap will end as Karts pass the Control Line the first time including when short Circuits or roll-up cut off areas are used unless the Circuit Licence defines otherwise.
- (vii) The practice of weaving to warm Tyres during the rolling lap is permitted.
- (viii) Karts will then cover approximately one (1) formation lap before the start may be given.
- (ix) From the point on the Track of the Slow Down markers, the Driver on pole position must slow down significantly and then maintain a constant speed and direction to allow the whole Field to form up for the Start. From this point, the Field must form up in two lines.
- (x) A Driver who is delayed will have the possibility of regaining their grid position only if this manoeuvre does not impede other Drivers and in all cases before having reached the Formation Line. It is forbidden to use any course other than the Track used during the rolling or formation lap in order to try and regain their position.
- (xi) If a Driver stops for any reason during the formation Lap, the Driver will not be allowed to try and start again before the whole Field has passed them. The Driver shall start again from the back of the formation. Should the Driver try to start ahead of the Field in the hope that the leading Drivers overtake them, the Driver will be shown the black flag and be Disqualified from that Race.
- (xii) From the time that a Driver reaches the Formation Line, it is forbidden for them to overtake another Driver.
- (xiii) The Driver on pole position shall set the speed at which all Drivers shall approach the Starting area (which shall be no more than approximately 40-50% of Race speed) in anticipation of the Start signal being given.
- (xiv) Drivers will proceed around the Track lined up in two (2) lines, at a reduced and constant speed, with no unnecessary acceleration and/or deceleration, towards the Control line. Each line of Karts shall remain within the side by side starting lanes marked on the Track. A Driver crossing the lane before the Start signal is given will be penalised by the Stewards, on the basis of a time penalty of 3 seconds for partly crossing the lanes (with two (2) wheels) and of 10 seconds for wholly crossing the lanes (with four (4) wheels).
- (xv) The Starter will give the Start signal as the Drivers approach the Control Line and only if they are satisfied with the formation and speed of the Karts.
- (xvi) The static red or yellow lights being switched off will be the Start signal and the start of the Competition.
- (xvii) A Driver will be permitted to accelerate only after the Start signal has been given.
- (xvii) If the Race Director/Clerk of the Course considers that a Driver has been significantly impeded as a result of the actions of another Driver, the Race Director or Clerk of the Course may abort the formation lap and recommence the starting procedure on the basis of the original grid positions and allow any impeded Driver to regain their position. The Start signal will not be given.

- (xix) The Starter is not required to allow any additional formation laps to allow any Driver who has lost their position to regain it.
 - (xx) If no Start signal is given, each Driver must continue around the Track and maintain their reduced and constant speed until the Start signal is given. Any Driver who is out of their original grid position will be permitted to regain their original grid position provided this is completed prior to reaching the Formation Line, regardless of the number of Formation laps.
 - (xxi) Any additional formation laps may be deducted from that Classes' scheduled Race distance at the discretion of the Race Director/Clerk of the Course and/or the Stewards.
 - (xxii) Should a significant number of Drivers not comply with the start procedure outlined above, the Race Director/Clerk of the Course and/or the Stewards may either;
 - a. Return the Class to the in-grid by displaying the red and white chequered flag prior to the commencement of the Race, then apply a starting infringement penalty to the offending Driver or Drivers, or
 - b. Allow the Race to continue, and signal to the offending Driver or Drivers by use of the 'bad sportsmanship flag' that they have received a 10 second time penalty, which will be imposed at the completion of the Race.
- e) Standing Starts
- (i) Drivers will complete one (1) rolling lap and a formation lap prior to stopping on the grid in their allocated position.
 - (ii) The rolling lap will end as Karts pass the Control Line the first time including when short Circuits or roll up cut off areas are used unless the Circuit Licence defines otherwise.
 - (iii) The practice of weaving to warm Tyres during the rolling lap and the formation lap is permitted.
 - (iv) Each Driver must stop **precisely** in their allocated grid position at the conclusion of the formation lap.
 - (v) The start signal will be given within ten (10) seconds of the last Driver stopping in their grid position.
 - (vi) When the Starter is satisfied with the grid order and the Karts are stationary on the starting grid, the Starter will commence the Start process by switching on the red or yellow light. The Start signal will be the light being switched off not less than 3 seconds or not more than 5 seconds after the red or yellow light has been switched on, at which point the Race will Start.
 - (vii) The kart must be stationary, square in the **grid** box and with the **contact patch of its front wheels** **tyres** to and behind the Driver's allocated grid lines (**front and sides**) when the Start signal is given.
 - (viii) If a Driver is unable to Start, they must remain in the Kart and **immediately** notify this situation by raising their arms **vertically over their head**. The Starter will decide whether to Start or abort the Start of the Race
 - a. Any Driver who has been unable to Start, will be allowed to get out of their Kart and restart the kart only by their own means and after the whole Field has passed them.
 - b. If the Race has been Started, the Driver will be allowed to Start the Race.
 - c. If the Start is aborted, an additional formation lap may be ordered by the Starter before the Start procedure is recommenced.
 - i. A Driver who was unable to Start will not be authorised to regain their original position in the formation and will take the Start from the back of the Starting grid.
 - ii. No other Driver will be allowed to occupy their grid position which must remain vacant.

23 Restarting of Karts

- a) The restarting of a Kart on a Track is only permitted if the Kart is fitted with an electric on-board starting device and can be restarted by the Driver alone without external assistance.
- b) The restarting of a Kart on a Track if the Kart is not fitted with an electric on-board starting device is not permitted other than;
 - (i) in accordance with Competition Rules Chapter 1 Rule 22 e) (viii) a; or
 - (ii) from the mechanical breakdown lane; or
 - (iii) if a Race is stopped and restarted in accordance with the Rules.
- c) Prior to the start of a Race, the Competitor is permitted two (2) nominated pit crew to assist a Driver repair and/or adjust their Kart only in either the mechanical breakdown lane (if in use) or the exit of the out grid. Any such assistance must be undertaken in a safe location.
- d) Other than in an Endurance Event, a Kart fitted with a clutch that spins or stops on the Track may continue to Compete provide that:
 - (i) The Driver remains seated in the Kart at all times.
 - (ii) The Driver does not touch the ground with either their hands or feet.
 - (iii) No other person has lifted, pushed or directly moved the Kart to get it mobile.
 - (iv) The Kart proceeds under its own power.
 - (v) Only Karts fitted with an on-board electric starter may restart the engine.
- e) During a Meeting, Officials and nominated pit crew may assist in the removal of Karts from the Track to a safe location.
 - (i) Officials and nominated pit crew must be positioned in a safe location prior to a Race commencing.

24 Race Neutralisation - Full Course Yellow

- a) The Full Course Yellow procedure outlined below will be used for National Level Meetings and may be used at State Series and below Meetings if prescribed in State Regulations.
- b) When the order is given to neutralise the Race, all Flag points will display yellow lights / waved yellow flags.
 - i) The order to neutralise the Race will be the words "FULL COURSE YELLOW".
 - ii) A "SLOW" board (yellow board with the word "SLOW" written in black) will be displayed at the Start Line and generally one other location around the Track.
 - iii) These will be displayed until immediately before racing recommences under Green Light/Flag conditions.
- c) When the Full Course Yellow order is given, and yellow lights/ waved yellow flags are displayed, all of the Karts in the Race must:
 - i) Stop racing, slow down (Refer to: Competition Rules Chapter 2 Rule 4 e) and line up behind the lead Kart in single file.
 - ii) Overtaking is strictly forbidden.
 - The sole exception to this is if a Kart slows down because of an obvious problem and cannot keep up.
 - iii) Once the line has formed and it is safe to do so, Drivers are permitted to weave on the straights to keep their tyres warm.
- d) During the neutralised laps, the leading Kart will dictate the pace of the other Karts. All Drivers should drive at a consistent, moderate speed.
 - i) All the other Karts must remain in a tight formation. One (1) Kart length between each Kart.

- ii) Karts may enter the mechanical breakdown lane during the neutralisation.
 - They may re-join the Track only when authorised to do so by an Official.
- iii) A Kart re-joining the Track shall proceed at a moderate speed until it reaches the end of the line of Karts behind the leading Kart and must remain in that position.
- e) When the Race Director or Clerk of the Course decides to end the neutralisation, they will order that the yellow lights be switched off and yellow flags will be held immobile (they will not be waved).
 - i) This will be the signal to the Drivers that the Race will resume the next time that the Karts cross the Control Line.
 - ii) The "SLOW" boards will be withdrawn.
 - iii) The Driver of the leading kart shall set the speed at which all Drivers shall approach the Starting area (which shall be no more than approximately 40-50% of Race speed) in anticipation of a Start signal being given.
 - iv) The line of Karts shall proceed towards the Control Line by driving down the centre lane marked on the Track. For the sake of clarity, the centre lane is the section of the Track between the side by side start lanes that are marked on the Track.
 - v) A Driver crossing the lane before crossing the Control Line after the Start signal is given will be penalised by the Stewards. The sole exception to this is if a Kart in front of it slows down because of an obvious problem.
 - f) The Race Director or the Clerk of the Course will give the instruction to the Starter for the resumption of the Race.
 - i) The Starter will display the Green Flag / switch the lights to Green to indicate the resumption of racing.
 - ii) Drivers may accelerate only after the green light is turned on/ green flag is being displayed.
 - iii) Overtaking is prohibited until your Kart has crossed the Start Line under Green Light / Green Flag conditions. The sole exception to this is if a Kart slows down because of an obvious problem.
- g) Each lap completed during the neutralisation will be counted as a racing lap.
- h) If the Race finishes during the neutralisation, the Karts will take the chequered flag as usual.

25 Race Stoppage Procedure

- a) A Race may in extreme circumstances be stopped by the Clerk of the Course by using showing the red flag /lights.
- b) When the signal to stop is given to the Drivers during a Race, Karts that are still running shall immediately reduce speed, and proceed around the Track in accordance with the requirements of Competition Rules, Chapter 2 Rule 4 g).
- c) A Race that is stopped on the first lap, will be restarted.
- d) A Race that is stopped after the first lap has been completed by the lead kart, must be restarted over the remaining number of laps as determined by the Chief Timekeeper and approved by the Stewards, unless; at least 50% of the Race has been completed by the leading Kart at the time that the signal to stop was given, in which case the Race may will be declared.
 - (i) The Race classification will be determined by the Chief Timekeeper at the end of the penultimate lap before the lap in which the signal to stop the Race was given.
 - (ii) The Race will be deemed to have finished when the leading Kart crossed the Line for the penultimate time for the Race was stopped.
 - (iii) Any Driver whose Kart was stationary when the signal to stop the Race was given will not be classified as a finisher;

- (f) At least 50% of the Race is completed by the leading Kart, in which case the Race may be declared and finishing positions awarded according to positions at the last recorded lap of the lead Kart as determined by the Chief Timekeeper. Karts which were stationary when the Competition was stopped will not be classified as a finisher;
- d) Any Driver who is stationary when the signal to stop the Race is stopped was given will not be permitted to Compete in the restart of that Race. This is not subject to Protest or Appeal.
- e) After a red flag stoppage, the Karts and Drivers are to be impounded in Parc Fermé. Drivers will remain under the direction of the Clerk of the Course.
- f) No adjustments or repairs are permitted to the Karts between the time a Race was stopped and prior to the re-start of that Race.
- g) A Kart which is considered by the Chief Scrutineer to be unsafe will not be permitted to Compete in the restart of that Race. This decision is not subject to Protest or Appeal.

26 Race Restart Procedure

- a) A Driver will be allocated a starting position for the Race restart based on the positions of the last recorded lap as determined by the Chief Timekeeper, excluding any Driver who:
 - (i) was stationary when the signal to stop the Race was stopped given and those who
 - (ii) are not permitted to Compete in the restart by the Chief Scrutineer.
- b) If the Chief Timekeeper does not have a complete record of all starters, the Stewards may restart the Race in the original order, excluding any Driver who was stationary when the Race was stopped and those who are not permitted to Compete in the restart by the Chief Scrutineer.
- c) If the Race is stopped on the first lap, the Race will be restarted in the original grid order, excluding any Driver who was stationary when the Race was stopped and those who are not permitted to Compete in the restart by the Chief Scrutineer.
 - (i) The Start procedures in accordance with Competition Rules, Chapter 1, Rule 22d) shall apply.
- c) A Race that is stopped on the first lap, will be restarted (the New Race) in accordance with the following Rules.
 - (i) The length of the New Race will be the full Race distance.
 - (ii) The original grid order, excluding any Driver who was stationary when the Race was stopped and those who are not permitted to or are unable to Compete in the New Race by the Chief Scrutineer will apply.
 - (iii) A Driver in a New Race that is started using a rolling Start will be allowed to close up any gap originally filled by a Driver who is not permitted to or is unable to Compete in the New Race before the Start signal is given.
 - (iv) No Driver in a New Race that is started using a standing Start will be allowed to occupy the grid position of a Driver who is not permitted to or is unable to Compete in the New Race. Their grid position must remain vacant.
 - (iv) The normal Start procedures will apply.
- d) If a re-start is to be conducted over the laps remaining, the re-start is to be in single file.
 - (i) The Starter must allow all Karts to be clear of the out grid and in formation, if necessary, allowing roll-up laps of the Track prior to signify the restart of the Race.
 - (ii) Once the first Kart has crossed the Baulk Line, the other Drivers will have one (1) lap to clear the grid. The one (1) lap will end once the peloton of Karts has passed the out-grid gate.
 - (iii) A Competitor's nominated pit crew may undertake work on a Kart which is not able to start during this one (1) lap period.

- (iv) A Driver who is delayed will have the possibility of regaining their grid position only if this manoeuvre does not impede other Drivers and in all cases before having reached the Formation Line. It is forbidden to use any course other than the Track used during the roll-up or formation lap in order to try and regain their position.
- (v) If a Driver stops for any reason during the formation Lap, the Driver will not be allowed to try and start again before the whole Field has passed them. The Driver shall start again from the back of the formation. Should the Driver try to start ahead of the Field in the hope that the leading Drivers overtake them, the Driver will be shown the black flag and be Disqualified from that Race.
- (vi) From the time that a Driver reaches the Formation Line, it is forbidden for them to overtake another Driver.
- (vii) The practice of weaving to warm Tyres prior to the Slow Down line during the roll-up lap is permitted.
- (viii) The Driver who was leading the Race at the time of the stoppage shall set the speed at which all Drivers shall approach the Starting area (which shall be no more than approximately 40-50% of Race speed) in anticipation of a Start signal being given.
- (ix) The line of Karts shall proceed towards the Control Line by driving down the centre lane marked on the Track. For the sake of clarity, the centre lane is the section of the Track between the side by side start lanes that are marked on the Track.
- (x) A Driver crossing the lane before crossing the Control Line after the Start signal is given will be penalised by the Stewards. The sole exception to this is if a Kart in front of it slows down because of an obvious problem.

27 Finishing

- a) The winner of a Race shall be the Kart that crosses the Finish Line first (where Karts start at the same time), or covers the greatest distance in the time allowed (where Karts Race over a set time) having regard for the fact that:
 - (i) Should the chequered flag be displayed before the leading Kart completes the scheduled number of laps or before the prescribed time has elapsed, the Race shall be deemed to have finished when the leading Kart last crossed the Finish Line before the chequered flag was displayed.
 - (ii) Should the display of the chequered flag be delayed for any reason, the Race will be deemed to have finished when, under normal circumstances, the end of the Race would have been decided if there had been no delay.
 - (iii) If the Race is stopped by the use of a red flag/light and is declared a Race, the Race classification will be determined by the Chief Timekeeper at the end of the penultimate lap before the lap in which the signal to stop the Race was given.
 - (iv) Any Driver whose Kart was stationary when the Race was stopped will not be classified as a finisher;
 - (v) When the event results are based on elapsed time, the chequered flag shall be shown to the leader on the first time they cross the Finish Line after the prescribed time has elapsed, unless the Supplementary Regulations for the event specify otherwise.
- b) In all cases, the results shall show:
 - (i) the winner first;
 - (ii) then each Kart classified as a finisher in the order of the number of laps completed by each; for each group of Karts completing the same number of laps, in order of the time taken to complete those laps;

- (iii) then each Kart not classified as a finisher in the order of the number of laps each completed before the Race finished; and then each Kart which was allocated a grid position in the Race and which did not start.
- c) Any time penalty to be added to the results shall be added to the time taken by the relevant Kart to complete the Race distance before the Race results are compiled. It shall not affect the number of laps credited to that Kart.
- d) To be classified as a finisher, a Kart must have crossed the Finish Line on the Track under its own power without any external assistance and been credited with having completed at least 75% of the distance completed by the winner of the event.
- e) Prizes and awards shall be distributed amongst all Competitors listed as finishers in the results in accordance with the regulations for the event.

28 Win by Default

- a) If only one (1) Kart faces the Starter in readiness to start, in any Race, due to a breakdown or withdrawal of other Competitors, then they shall be deemed to have won the Race by default.

29 Winner of Draw

- a) Should two (2) or more Competitors have equal points, grid positions or a final placing in any Event, the following process will be used:
 - (i) When initial Heat grids are allocated by the random draw on a computer:
 - Equal points for a grid position in a section of an Event, or a final placing in an Event, will be determined by the Competitor who has scored the highest number of first placings, then the highest number of second placings and so on throughout the relevant Event.
 - Should there still be a draw, the draw will be determined by the Competitor with the higher placing in the most recent section of the Event.
 - (ii) When initial Heat grids are determined by Qualifying:
 - Equal points for a grid position in a section of an Event, or a final placing in an Event, will be determined by the Competitor with the faster qualifying time.

30 Official Presentation

- a) All Drivers who qualify for an award at an International or National level Competition (National Championship, National Series, State Championship and National Cup) shall attend the podium ceremony wearing their Driving Suit (secured at the neck) and the Race winner's cap (if provided by the Championship.) Only in exceptional circumstances and then only with the approval of the Stewards will it be permitted for a Driver who has qualified for an award not to attend the podium ceremony. Failure to attend the podium ceremony and remain correctly attired until it has concluded will be considered a breach of the Rules.

Flag / Light Signals

1 Signal Colours

a) Signals of the colours described below must only be used for purposes detailed in these Rules.

2 Light Signals

- a) It is permitted to replace and/or augment any flag signal with a light signal.
- b) Wherever in these Rules reference is made to a 'flag' or to a 'flag signal' it shall also mean reference to 'lights' and 'light signals' that may be in place to replace or augment flags and or flag signals.
- c) Coloured lights may be used to substitute flag signals.
- d) **Wherever in these Rules reference is made to a flag marshal, it shall also mean reference to a safety light operator.**
- e) When using lights at a flag point at a Track, an Official **must may also** be present, **unless if** determined **otherwise** by the Clerk of the Course and approved by the Stewards.
- f) At a Meeting held under artificial light, each flag point must have at least one (1) battery operated Yellow warning light and one (1) battery operated Red light. These lights must be approved by the Circuit Inspector.

3 Flag Size

a) Flag sizes are to be a Minimum of 500mm x 500mm.

4 Flag Signals

The following flag signals will be obeyed by Drivers during Competition or practice.



a) National Flag:

The National flag may be used to signal a Race start.



b) Green with Yellow Chevron:

Restart. Reform on Track. To be used by the Starter and /or Clerk of the Course in the event of an error of judgement by the Starter. Can only be used prior to the first lap being completed by the Race leader.



c) Red and White Chequered:

Signifies that it has been a false start or no start, return to pits, this flag is to be used by a Steward/ Clerk of the Course or Starter prior to the first lap being completed by the Race leader to enable the Stewards to take immediate action for a breach of Rules prior to the start.

**d) Yellow:**

A Yellow Flag / yellow light is the signal of danger ahead.

Reduce your speed, do not overtake and be prepared to change direction. There is a hazard ahead. Overtaking is not permitted between the first yellow flag / light and the next operational flag point that is not displaying a yellow flag/light. To assist following Drivers and if it can be done with safety a Driver should raise one arm to indicate that the Driver is slowing for the yellow flag.

Failure to slow to a safe speed for a yellow flag will be considered a serious breach of these Rules.

**e) Green: (Optional)**

All Clear It can also be used if necessary to signal the start of warm up laps or practice sessions, by order of the Clerk of the Course (usually only used at International Meetings).

**f) Blue:**

A Blue Flag / light signifies that you are about to be lapped by one or more Drivers. On receiving this flag / light, you may continue with your Race and hold your normal Race line, but allow any overlapping Kart/s to pass unimpeded.

**g) Red:**

A Red Flag / red light means that all racing must cease. No overtaking is permitted. Drivers will indicate by raising their arm and return to the area designated in Supplementary Regulations and/or advised in the Drivers Briefing at a greatly reduced speed and in a safe manner being prepared to stop on Track if necessary. This order shall be given only through the Clerk of the Course or Steward. Red lights may be used in addition to the red flag.

**h) Yellow with Red Stripes: (vertical)**

Deterioration of adhesion. Informs Drivers that the conditions of adhesion of the Track surface have suddenly deteriorated in the area beyond the flag.

This flag is most frequently used to signal that oil has been dropped on the Track, but it can also be used to inform Drivers of either a pool of water large enough to cause aquaplaning, or that due to a local shower Drivers are about to pass from a dry to a slippery surface; that being the case, the flag will be displayed accompanied by a hand pointed to the sky. This flag shall be displayed for four laps or until the surface returns to normal. It is not necessary for the sector beyond where the flag is being shown to show a green flag.

**i) Blue and Red Double Diagonal:**

This flag, at the discretion of the Clerk of the Course / Stewards, together with an appropriate board showing the Kart number/s, will be displayed to the Drivers/s who are about to be or have been lapped.

On receiving this flag, the Driver must stop racing, move off the racing line so as not to impede the progress of any other Drivers and return to the in-grid prior to completion of their next lap. Approaching the in-grid, the Driver of the lapped Kart must raise one hand to clearly signal to following Drivers that they are leaving the Track.

A Driver who obeys this flag will be classed as a finisher and will be awarded a finishing position in the Race.

A Driver who fails to obey this flag will be shown the black flag, together with an appropriate board showing their Kart number signalling them to immediately cease racing and return safely to the in-grid without impeding another Driver. The Driver, will report immediately to the Clerk of the Course or assistants. The Driver will be penalised with Disqualification from that section of the Event by way of a Penalty Notification Form, and possible further penalty. There shall be no appeal against this decision or penalty.

**j) Black and White with Diagonal join:**

If this flag, together with a panel upon which the Driver's Kart number is displayed to the Driver concerned, it indicates that the Driver is being observed for unsportsmanlike behaviour. The Driver must report to the Clerk of the Course or Steward immediately after the Race. A signal board of similar dimensions to the flag and panel displaying the Driver's Kart number may also be used.

**k) Black Flag:**

Should it become necessary for any reason to stop a Driver, this order shall be given through the Clerk of the Course with the authority of a Steward. The black flag shall be displayed to the Driver concerned, together with a panel upon which is shown the Kart number. Such signal indicates that once a Driver receives the black flag they are to return to the mechanical breakdown lane / in grid safely, prior to or immediately following completion of the next lap. The Driver may not re-enter the Race. The flag shall not be displayed on either the penultimate lap or the last lap of a Race. The Driver must report to the Clerk of the Course or Steward immediately after returning to the in Grid. A signal board of similar dimensions to the flag and panel displaying the Driver's Kart number may also be used.



l) Black and Orange Disc:

This flag is displayed together with a panel upon which the Drivers' Kart number is shown to inform the Driver concerned that their Kart may have a mechanical / safety problem or does not comply with the Rules. The Driver must return to the mechanical breakdown lane / in grid safely, prior to or immediately following completion of the next lap. This order shall be given only through the Clerk of the Course and/or Steward. The flag shall not be displayed on either the penultimate lap or the last lap of a Race. At events where the Supplementary Regulations permit the use of an approved mechanical breakdown lane (as approved by the Circuit Inspector) the Driver may continue after repairs have been effected to the satisfaction of the Chief Scrutineer, and only under instruction of the grid marshal. A signal board of similar dimensions to the flag and panel displaying the Driver's Kart number may also be used.



m) White Flag or Last Lap Board:

Either a white flag or a last lap board may be displayed initially to the leading Kart, and each Kart subsequently, when the leading Kart commences what the Officials believe to be the last lap of the Race.



n) Black and White Chequered:

The display of the black and white chequered flag will determine the end of the Race. The Race finishing order will be as Karts cross the Finish Line on the lap when the black and white chequered flag is displayed. As soon as the Black and White Chequered flag has been shown to a Driver and the Driver has cleared the Finish Line, the Driver must stop racing, not pass any other Karts and proceed directly, using only the authorised route, to Parc Fermé in the order of their finishing position. If a Kart stops and is unable to return to Parc Fermé under its own motive power after the Black and White Chequered flag has been shown to the Driver and the Driver has cleared the Finish Line, the Kart must be taken directly to Parc Fermé using only the route authorised by the Clerk of the Course/Race Director. From the moment the Driver receives the Chequered flag until the Driver is released from Parc Fermé the Driver is under Parc Fermé conditions and must make no alteration or adjustments to their kart, equipment or other material.

Code of Driving Conduct on Karting Circuits

1 Observance of Signals

- a) The Flag / Light Signal Rules are deemed to be part of this Code of Driving Conduct. All Drivers must abide by them.

2 Driving Standards

- a) The following driving standards will apply:
- (i) Careless Driving
Departing from the standard of a competent Driver.
 - (ii) Reckless Driving
Any unintentional action by a Driver which creates serious risk to others.
 - (iii) Dangerous Driving
Any intentional action by a Driver which creates serious risk to others.

3 Use of the Track

- a) Drivers must use the Track at all times.
- b) For the avoidance of doubt:
- (i) The white lines defining the Track edges are considered to be part of the Track but kerbs are not.
 - (ii) A Driver will be judged to have left the Track if no part of the Kart remains in contact with the Track.

4 Overtaking During a Race

- a) A Kart alone on the Track may use the full width of the Track. However, as soon as it is caught by a Kart which is about to lap it the Driver must allow the faster Driver past at the first possible opportunity.
- b) If the Driver who has been caught to be lapped does not seem to notice that another Driver wants to overtake him, flag Marshals will display blue flags to indicate that the faster Driver wants to overtake.
- c) Any Driver who appears to ignore the blue flags will be reported to the Stewards.
- d) Overtaking, according to the circumstances, may be carried out either on the right or the left.
- e) Manoeuvres liable to hinder other Drivers such as more than one (1) change of direction to defend a position, deliberate crowding of Karts beyond the edge of the Track or any other dangerous change of direction, are strictly prohibited.
- f) Any Driver who appears guilty of any of the above offences will be reported to the Stewards.
- g) Should a Kart leave the Track for any reason, and without prejudice to the Rule below, the Driver may rejoin the Track however, this may only be done when it is safe to do so and without gaining any advantage and subject to the following:
- (i) Positional Advantage (having passed one or more karts)
 - Should a Driver gain position's as a consequence of having left the Track, they will immediately, when safe to do so allow the Karts that they were trailing at the time of leaving the Track to overtake them.
 - (ii) Relative Track Position (having gained significant Track advantage by short cutting the Track but not having passed another kart)

- Should a Driver gain a significant relative Track position on the Kart in front of them, but not having passed another Kart, they will immediately, when safe to do so allow the kart in front of them to regain the approximate gap that they held prior to the Driver leaving the Track.
- (iii) A Driver who gains an advantage will be reported to the Stewards and may be penalised.
- iv) Repetition of serious mistakes or the appearance of a lack of control over the Kart, such as leaving the Track, will be reported to the Stewards.

5 **Overlap and Passing Overlap**

- a) Overlap means that the front of the nosecone of a Kart has reached the point of being alongside of or further forward than the rear wheel protection or the rear edge of the rear wheels on a Kart that is in front of it on the Track.
- b) Passing Overlap means that the front of the nosecone of an overtaking Kart has reached a point level with the vicinity of the centre of the steering wheel of the Kart that is being overtaken

6 **Blocking and Overlap on Approach to Corner**

- a) Blocking in general is not allowed. At the start of the Race or until the Race 'settles down' there may be some exceptions to this. If a Driver has committed to the racing line at the initial braking point of the approaching corner, they may not move across to block the inside line to the corner during the braking phase. In other words they must not interfere with the Kart trying to overtake, particularly if there is an "Overlap".
- b) At the start and/or end of the Race, if a Driver intends to run the inside line on the approach phase to a corner, they must clearly do so prior to the initial braking point. They may not move across to cover the line or attempt an abnormal early turn in if a Kart trying to pass has Overlap.
- c) If a Driver has a slow run out of the previous corner for whatever reason, they may move across to cover the line respecting the points below.
 - (i) Once the Kart that is trying to pass has Overlap, the Driver in front at that time must respect that Kart and allow sufficient racing room.
 - (ii) The Kart with the momentum trying to make the pass should be given at least one Kart width room from the edge of the Track and should not be pushed off the Track.
 - (iii) The Driver trying to pass in this situation should not be forced to roll off the throttle and therefore lose momentum and potentially position, he should be allowed the opportunity to attempt a safe pass.
 - (iv) The Driver with the slower run into the corner is entitled to move across once only but not in an erratic manner and when safe to do so.

7 **Overtaking on Corner Entry**

- a) If the Kart making a pass on corner entry (the turn-in point) has a Passing Overlap with the other Kart, then the Kart being overtaken must not turn-in to the apex and make significant contact with the Kart on the inside, it must allow racing room.
- b) In general, the onus is on the overtaking Kart to execute the pass safely.
 - (i) Overtaking karts should not expect the Kart in front to give way unless there is a Passing Overlap at the turn-in point of the corner.
- c) A Kart that arrives at the turn-in point with a Passing Overlap but has smoke off the Tyres or is otherwise considered to be 'out of control' will be deemed not to be in a position to make a safe pass.

8 **Overtaking on Corner Exit**

- a) Slight side by side contact or 'rubbing' will be tolerated on the exit of one corner and in the next straight, providing the Kart doing the overtaking does not lose momentum when trying to make the pass and there is no erratic swerving towards the other Kart.

- b) Contact with the back of the Kart in front, inducing exit wheel spin, is not permitted on corner exit. A small amount of mid to exit corner rubbing is allowed, providing the Kart in front does not lose momentum from this. If the Kart in front is 'nudged' wide off line and loses position this would be considered a breach and will incur a penalty. The term "bump and run" has been widely used to describe such action and will not be tolerated and therefore may incur a penalty.

9 Defending Your Position

- a) While blocking is not tolerated there may be an occasion to defend your position. You may move once, however you must give racing room and should there be an Overlap then you must allow a Kart width to the edge of the Track.
- b) Consistent defending your position on the last lap of a Competition will be tolerated.

10 Inappropriate Driving

- a) Repetition of serious mistakes or the appearance of a lack of control over the kart (such as leaving the track) may incur a penalty.
- b) The following actions may be considered to be inappropriate driving and may incur a penalty:
- Any manoeuvres liable to hinder other Drivers such as more than one (1) change of direction to defend a position;
 - Running any Kart off the Track as you overtake;
 - Deliberate crowding of any Kart beyond the edge of the Track;
 - 'Weaving' while racing on the straight;
 - Braking unexpectedly on a straight;
 - Deliberate rapid deceleration of a Kart on a straight;
 - Any other dangerous change of direction.

11 Karts Stopping During a Race

- a) The Driver of any Kart leaving the Track because of being unable to maintain racing speed and should signal the intention to do so in good time and is responsible for ensuring that the manoeuvre is carried out safely and as near as possible to a point of exit.
- b) Should a kart stop outside the pit lane or outside the Repair Area, it must be moved as soon as possible so that its presence does not constitute a danger or hinder other Drivers.
- c) If the Driver is unable to move the Kart, it shall be the duty of the Officials to assist.
- d) Replenishment of any kind is prohibited, save when the Kart concerned is in an area specifically provided for this purpose.
- e) Apart from the Driver and duly appointed officials, nobody is allowed to touch a stopped kart except when in the pit lane or in the Repair Area.
- f) Pushing a Kart on or along the Track is prohibited during racing.
- g) Except during a Race suspension, any kart abandoned on the Track by its Driver, even temporarily, shall be considered as withdrawn from the Race.

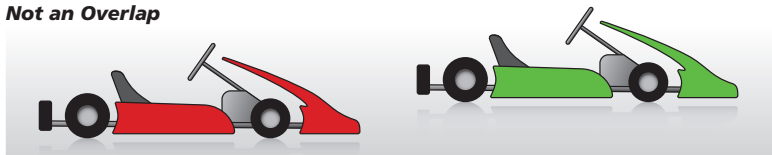
12 Entrance to the Pit Lane (To The Repairs Area Or To The Pits/Paddock)

- a) The so-called 'deceleration zone' is a part of the pit area. The section of Track leading to the pit lane shall be referred to as the 'pit entry'.
- b) During the practice sessions, qualifying and the Race, access to the pit lane, to the repairs area or to the paddock is permitted only through the pit entry deceleration zone.
- c) Any Driver intending to leave the Track or to enter the pit lane, pits or the paddock or the repairs area shall signal their intention in good time and should make sure that it is safe to do so.
- d) Except in cases of force majeure (accepted as such by the Stewards), the crossing, in any direction, of the line separating the pit entry deceleration zone and the Track is prohibited.

- e) Except in cases of force majeure (accepted as such by the Stewards), any line painted on the Track at the pit exit or the repairs area for the purpose of separating karts leaving the pits or the repairs area from those on the Track must not be crossed by any part of a Kart leaving the pits.

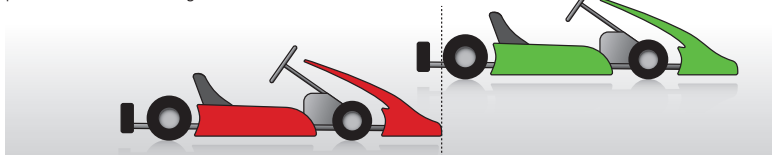
13 **Overlap and Passing**

Not an Overlap



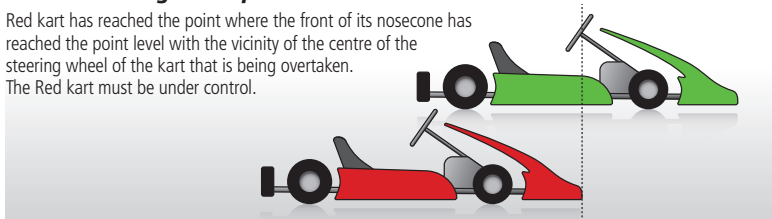
This is an Overlap

Red kart has reached the point where its nosecone is alongside or further forward than the rear wheel protection or the back edge of the rear wheels.



This is a Passing Overlap

Red kart has reached the point where the front of its nosecone has reached the point level with the vicinity of the centre of the steering wheel of the kart that is being overtaken. The Red kart must be under control.



Competition Licences

1 Grant of a Licence

- a) A person must at all times hold a current Drivers Licence issued or recognised by KA in accordance with these Rules, to be eligible to drive a Kart on a Track.
- b) In order to participate in a Competition:
 - (i) a Driver must be the holder of a current Driver's Competition Licence issued or recognised by KA; and
 - (ii) if a Driver is under the age of eighteen (18) years old, they must be entered into a Competition by their legal guardian who must be the holder of either a Participants Licence or the holder of a Senior Drivers Competition Licence and who is over eighteen (18) years old.
- c) KA issues, manages and records all KA issued licences using the CMS
- d) KA is entitled to issue licences to:
 - (i) Australian nationals
 - (ii) A national of another country represented in the FIA in compliance with the following statutory conditions:
 - that their parent ASN (the country of their passport) gives its prior agreement on the issuing which may only take place once a year and only in special circumstances; and
 - that they produce to their parent ASN a proof of permanent residence in Australia; and
 - that their parent ASN has cancelled any license originally issued.
 - (iii) A person or body may only hold one (1) KA Competitors Competition Licence at any one time.
 - (iv) The granting of a licence or the upgrading of a licence is at the sole discretion of KA.
 - (v) A licence holder, ~~other than an 8-Day Licence Holder, must purchase a current KA Manual and must keep themselves~~ informed of the Rules and any subsequent amendments to the Rules, Policies and procedures as may apply from time to time.
 - (vi) Notwithstanding anything in these Rules, KA may, in writing, waive the necessity for Competitors Participants or Drivers to hold a licence under these Rules in order to be eligible to take part in a particular Competition or participate in any activity on a Track.
- e) No person authorised by their parent ASN to apply for a KA Licence may hold a licence from that ASN valid for the same year

2 Application for a Drivers Licence

- a) New licences or the renewal of an existing licence can be processed by either:
 - (i) going to www.karting.net.au, clicking on the "Apply for Drivers Licence" link then following the prompts; or
 - (ii) contacting the Secretary or Licensing Officer of the SKA with which your Club is affiliated.
- b) Any person applying for a Drivers Licence (both new or renewal) must be a member of a Club which is affiliated through a SKA with KA and must remain a financial member of a Club during the term of the licence.
- c) The person must pay the applicable licence fee.
- d) A copy of the Birth Certificate of a person under the age of eighteen (18) years old must be provided before the issuing of their first licence.

- e) Making a false or misleading statement on the licence application form, or the wilful omission from such form of any information, which if it had been known to KA may cause it to refuse such licence, shall render the licence, if issued, null and void.

3 Application for a Participant's Licence

- a) New Licences or the renewal of an existing Licence can only be processed by going to www.karting.net.au, clicking on the "Apply for Participant's Licence" link then following the prompts.
- b) The holder of a Participant's Licence must be over the age of eighteen (18) years.
- c) The holder of a Participant's Licence may be a member of an affiliated Club, but in all circumstances for the purpose of the Participant's Licence the person shall be deemed to be a Temporary Member pursuant to Rule 2-7 5 of the Constitution.
- d) The person must pay the relevant licence fee. (Note: there is no fee applicable for 2022)
- e) Making a false or misleading statement on the licence application form, or the wilful omission from such form of any information, which if it had been known to KA may cause it to refuse such licence, shall render the licence, if issued, null and void.

4 Application for an 8-Day Licence

- a) An 8-Day Licence can only be processed [online at https://cms.karting.net.au/cms/day-licence/](https://cms.karting.net.au/cms/day-licence/)
- b) The holder of an 8-Day Licence may be a member of an affiliated Club, but in all circumstances for the purpose of the 8-Day Licence the person shall be deemed to be a Temporary Member pursuant to Rule 2-7 5 of the Constitution.
- c) The person may be issued with no more than one (1) 8-Day Licence each Year.
- d) An 8-Day Licence is only permitted to be used in Club Competition **or for a Karting Activity**.
- e) The person procuring an 8-Day Licence must pay the relevant Licence fee.
- f) Making a false or misleading statement on the licence application, or the wilful omission of any information, which if it had been known to KA may cause it to refuse such licence, shall render the licence, if issued, null and void.

5 Assumed Name

- a) If a licence is requested in an assumed name, special application shall be made to KA which may, at its sole discretion, issue a licence in such name.
- b) A person granted a licence in an assumed name shall not, so long as they hold a licence in that name, take part in any Competition except under the name shown on such licence.

6 Licence Card

- a) A plastic licence card will be issued to each Driver as a part of their 12 month Competition licence kit.
- b) The licence card contains all of the Drivers information which is relevant to KA.
- c) The licence card will be used in conjunction with the CMS for identification, recording, entry and confirmation of entry at all Meetings.

7 Discretion

- a) The granting of a licence or the upgrading of a licence is at the sole discretion of KA **or an SKA**.

8 Refusal of a Licence

- a) KA **or an SKA on behalf of KA** may refuse to issue a licence and may make such endorsement as it sees fit and at its sole discretion on a licence page in the CMS without stating any reasons for doing so.

- b) An applicant for a Drivers Licence or a Driver who has had an illness or injury which may affect their ability to safely control a Kart, must report such illness or injury to their SKA at the earliest possible time.
- c) A SKA on behalf of KA may refuse to issue a licence if the fact becomes known that the applicant for a licence may suffer from a medical condition which could affect the applicant's control of the Kart.
 - (i) The SKA will advise the applicant that a licence will not be issued unless the applicant consents to a medical examination by a suitably qualified medical practitioner nominated by National Medical Officer.
 - (ii) For a Licence to be issued and/or retained by the Driver, the medical practitioners reports must outline that the applicants condition will not in their opinion affect the applicant's ability to safely control a Kart.
 - (iii) A medical examination conducted by a suitably qualified medical practitioner nominated by the National Medical Officer shall be paid for by the applicant or the Driver and a copy of the medial report shall stipulate any restriction that ought reasonably be placed on the Driver and shall be provided prior to consideration of the issuing of a Licence.
- d) If the Stewards, or the State Secretary, believe a Driver suffers from any illness, injury, disability - permanent, temporary or recurrent medical condition, which may affect the Drivers ability to safety control a Kart (Condition) at all times, the Stewards or the State Secretary, must advise the Driver that they shall not drive on a Track until such time as the Driver is fit to drive in Competition.
- e) A Driver who is suffering from a Condition shall not be permitted to participate in any KA sanctioned activity.

9 Safety Training Requirements

- a) At the time of applying for a new Driver's Licence, all new applicants must view and acknowledge their understanding of the Safety Training Video and read and acknowledge their understanding of the Safety in Karting Requirements in accordance with KA's Pre Racing Safety Policy and Procedure.
- b) A Cadet aged Driver must complete at least eight (8) hours of driver training/practice on a KA licenced track prior to undertaking an ODS.
 - (i) At all times while the Driver is undertaking the required training/practice, they must be supervised by either:
 - 1) A Parent who is the holder of a Participants License; or
 - 2) A person who is 18 years of age or older who is the holder of a racing licence issued by or recognised by KA; or
 - 3) A driving instructor/coach who is recognised by KA.
 - (ii) The person supervising the New Cadet Driver's Practice sessions must complete the details of the practice undertaken on the New Cadet Driver Practice Log form which must be provided to the Official who conducts the Driver's ODS before they are permitted to undertake the ODS.

10 Observed Driving Session (ODS)

- a) All New Drivers must undertake and successfully complete an ODS at the Club prior to being permitted to Compete on a Circuit. Prior to being able to Compete at a Meeting, a person must successfully undertake an ODS.

- b) A person must have successfully completed the Safety Training Requirements prior to undertaking an ODS.
- c) An ODS can be arranged through a Club.

11 Withdrawal of a Licence

- a) KA may withdraw at its sole discretion a licence in accordance with the Rules, KA Policies and Procedures in which case the licence is no longer valid.

12 Licence Expiry Dates

- a) Other than international licence, a licence will be valid for 12 months from the date of issue.
- b) A Licence renewal will be based on the anniversary date listed shown on the licence.
- c) A Licence that has expired for a period of more than thirty (30) days will ~~incur a late~~ be considered to have lapsed.
 - (i) At the time that the Licence Holder reinstates their Licence, the fee payable to the SKA will be that of a New Licence.
 - (ii) In this instance the New Licence date will commence once the licence is applied for and will be due for renewal on that date the following year.
- d) A Driver who allows their licence to lapse for a period of three (3) years or more shall unless otherwise approved by KA be regarded as an applicant for a D Grade licence.

13 Production of a Licence

- a) A Competition licence holder shall produce their licence upon the request of a relevant Official of the Meeting.
- b) The Stewards may authorise a licence holder to participate in a Meeting without producing their licence provided the Stewards are satisfied a valid licence is held as verified by the CMS.

14 "P" Plate Use

- a) When either an 8-Day, E Grade or D Grade licence is first issued to a Driver, the Driver must display a "P" plate in a location adjacent to their competition number at all times whilst they are on a Track. A Driver who holds an E Grade or D Grade licence or who has any specific condition or conditions applied to their licence by KA or an SKA, which for the sake of clarity may include a medical condition or conditions that do not preclude the Driver from driving a kart must clearly display a "P" plate on the rear of the Kart at all times whilst they are on a Track.
- b) The "P" plate must resemble a "P" plate as used by the State or Territory civil roads authority.
- c) A "P" plate must continue to be used until such time as a Driver has ~~qualified to be~~ been upgraded to the next level of licence or other conditions as outlined in part a) are no longer relevant.

15 Participation in National Events

- a) A Driver holding a licence issued by a foreign ASN who wishes to Compete in a National Meeting must:
 - (i) Be invited by KA to compete in the Meeting; and
 - (ii) Hold a current licence issued by Kartsport New Zealand, a Kartsport New Zealand Visa and Kartsport New Zealand Medical Card; or
 - (iii) Hold a Minimum of an International licence issued by a foreign ASN and obtain approval to Compete from the ASN that issued their licence; or

- (iv) Hold a current licence at the appropriate level issued by a foreign ASN and obtain approval to Compete from the ASN that issued their licence.
- b) KA licence holders wishing to Compete in New Zealand must apply to KA for a Trans-Tasman Visa. They will be required to present their licence and Visa when Competing in New Zealand.

16 Licence Types Issued by KA

- a) Drivers licences (Refer to Rules 20-24 herein):
 - (i) Cadet 9
 - From a persons sixth (6th) birthday until the date of their tenth (10th) birthday.
 - Conditions apply for a person between their sixth (6th) birthday and seventh (7th) birthday.
 - (ii) Cadet 12
 - For persons aged in the calendar Year of their ninth (9th) birthday until the date of their thirteenth (13th) birthday.
 - (iii) Junior
 - For persons aged in the calendar Year of their twelfth (12th) birthday until the date of their sixteenth (16th) birthday.
 - (iv) Senior
 - For persons aged in the calendar year of their fifteenth (15th) birthday and over.
 - Conditions apply for a person in the year of their fifteenth (15th) birthday until their fifteenth (15th) birthday.
 - (v) Vintage
 - For persons aged fifteen (15) years old and over.
 - (vi) 8-Day Licence
 - A person may be issued with an 8-Day licence which may only be used at one (1) Meeting only.
 - An 8-Day Licence will be valid until 11:59pm on the eighth (8th) day after its issue.
- b) In the case of a Driver whose birthday falls during a Meeting, the type of their Driver's Licence will not change until the completion of the Meeting.
- c) Participants Licence (Refer to Rule 25 herein)
 - (i) For the parents and/or legal guardians of Drivers under the age of 18 years who do not hold a current Driver's Licence.
 - (ii) This licence is required to enable such parents and/or legal guardians to apply for a Licence upgrade and to enter a Driver who is under the age of eighteen (18) years into a Meeting.
- d) Competitors Licence (Refer to Rule 26 herein)
 - (i) For persons entering a Team in a National Championship, National Series or National Cup Event.
 - (ii) This licence is required to enable the manager/owner of a Team that competes in the National Championship or the National Series or National Cup Event to enter a Team in a National Championship, National Series or National Cup Event and to request the substitution a Driver who is entered in a National Championship, National Series or National Cup Event with another Driver after the close of entries but before the commencement of the Meeting.
- e) Mechanic & Pit Crew Licence (Refer to Rule 27 herein)
 - For persons including mechanics, pit crew, parents and guardians who seek require access to the Circuit, the in grid, the out grid, scrutineering and Parc Fermé areas.

- These licences are only required for National Championship and National Series Meetings.

f) FIA-CKI International E, F and G Competition Licences

- (i) For persons who hold the highest-grade National Licence.

f) International Competition licences and/or Permission to Start in an International Competition and/or a National Competition organised by another ASN in different divisions as follows:-

(i) International Junior

- Must hold the highest grade National Licence; and
- In accordance with the criteria listed in the CIK-FIA Rules and in strict compliance with Article 2.1.5 and Appendix L of the ISC; and
- Must have satisfactorily Competed in at least three (3) National Championship, National Series and/or State Championship Events in the 24 months preceding making application for the licence and/or Permission to Start.

(ii) International Senior

- Must hold the highest grade National Licence; and
- In accordance with the criteria listed in the CIK-FIA Rules and in strict compliance with Article 2.1.5 and Appendix L of the ISC; and
- Must have satisfactorily Competed in at least three (3) National Championship, National Series and/or State Championship Events in the 24 months preceding making application for the licence and/or Permission to Start.

(iii) The holder of a Karting Australia Competition Licence who has competed in at least three (3) Events listed on the FIA International Karting Calendar in the 24 months preceding making application for Permission to Start in an International Event and who is in strict compliance with the ISC, will be deemed to have fulfilled the minimum competition qualifications referred to in regulations f) (i) and (ii) herein.

(iv) For the sake of absolute clarity, reference to National Licence shall mean to a Licence issued by KA or a Member State on behalf of KA. Reference to National Championship, National Series and State Championship Events shall mean those Events conducted under an Organising Permit issued by KA.

(v) **Important Note:-**

- The minimum Competition qualification for the applicant referred to in regulations f) (i), (ii) and (iii) herein to have satisfactorily Competed in at least three (3) National Championship, National Series or State Championship Events in the 24 months preceding making application for an International Licence and/or Permission to Start reflects that the 2020 and 2021 years have suffered significant National Event disruptions due to COVID-19. It is expected that the minimum competition qualification of three (3) Events will increased to five (5) Events in 2023.

17 Licence for Driver with disabilities

- a) Irrespective of the problems raised by illnesses and/or disqualifying visual disorders which preclude the issuing of a licence, any person with an acquired or congenital disability may apply to obtain a Licence for Drivers with disabilities. A Driver who has a disability must have their application approved by the Chief Medical Officer. A Drivers who has a disability must have their application approved by the Chief Medical Officer.

- b) The Driver's licence **must be** endorsed outlining the disability and any consequential restrictions placed on the Driver to enable them to safely control a Kart. **The Driver may, upon the advice of the Chief Medical Officer, be required to display a "P" plate on the rear of their Kart at all times whilst they are on a Track.**

18 Licence Grading

- a) KA issues the following Grades of National licences, which are listed from the lowest level through to the highest:
- (i) 8-Day: Issued for a Maximum period of eight (8) days. May only be used to participate in one (1) Club Competition. The holder of this licence is only permitted to drive a Kart in accordance with the relevant table in these Rules. The Driver is not eligible to obtain a Licence endorsement.
 - (ii) V Grade: Issued for Vintage Karting. May only be used to participate in Practice, Parades, Demonstrations and/or Time Trials with a Vintage Kart at Vintage Karting Events at a Meeting.
 - (iii) E Grade: Issued for Social and recreational karting. Drivers over the age of 7, are permitted to Compete in one (1) Class/Division in a single Meeting each year using an E Grade licence. For the avoidance of doubt, this single meeting may be a Club Competition or in a Vintage Karting Event. The holder of this licence is only permitted to drive a Kart in accordance with the relevant table in these Rules.
 - (iv) E-A Grade, E-B Grade, E-C Grade: Subject to previous racing experience and to these Rules, the applicant must have within the previous three (3) years held an A Grade, B Grade or C Grade Licence, are permitted to Compete in one (1) Class/ Division in a single Meeting each year using an E Grade licence. For the avoidance of doubt, this single meeting may be a Club Competition or in a Vintage Karting Event. The holder of any of these licences is only permitted to drive a Kart in accordance with the relevant table in these Rules.
Eg: E-A Grade can drive any Kart listed in A Grade.
 - (v) D Grade: Subject to previous racing experience and to these Rules, new applicants for a Licence will be issued a D grade Licence.
 - (vi) C Grade: Subject to previous racing experience and to these Rules, the applicant must have previously held a D grade Licence.
 - (vii) B Grade: Subject to previous racing experience and to these Rules, the applicant must have previously held a C grade Licence.
 - (viii) A Grade: Subject to previous racing experience and to these Rules, the applicant must have previously held a B grade Licence.
- b) Licence Grading Process
- (i) A Driver can only obtain one (1) licence endorsement at a Meeting.
 - (ii) Licence endorsements may be requested via the CMS at the time of entry for a Meeting or confirmation of entry for a Meeting.
 - (iii) Licence endorsements will not be considered if a Driver has
 - failed to satisfactorily complete 75% of the Event. In the case of a DNF, number of laps completed may be counted
 - failed to respect the light / flag signals
 - been found guilty of a breach of the Code of Driving Conduct during the Event

- been Disqualified from the Meeting
 - not met the expectations of the Clerk of the Course in relation to racing speed.
- (iv) Once the upgrade conditions have been met, the Participant/Driver **must** **may** apply via the CMS, to the SKA for a licence upgrade. The application must be made no more than two (2) years from the date that the upgrade conditions were met.
- (v) KA may at its sole discretion grant **an** exemption to the upgrade criteria where it considers that an exemption is warranted including but not limited to:
- When a Drivers results, Competitions performance, assessed skill and/or prior racing experience are considered to be at a level that warrants a higher grade of licence;
 - When a Drivers results, Competitions performance and/or assessed skill are considered to be at a level that:
 - i) Does not warrant a higher licence grading; or
 - ii) Warrants downgrading in the interests of safety; or
 - iii) Following comments in a Stewards Report
- (vi) Once a Driver has Competed in a Meeting with a higher level of licence, they are not permitted to downgrade in accordance with the following:
- Cadet 12 is not permitted to downgrade to Cadet 9;
 - Junior is not permitted to downgrade to Cadet 12;
 - Senior is not permitted to downgrade to Junior.
 - If a Driver Competes in another country with a higher level of licence, they may at the absolute discretion of KA be permitted to downgrade in order to Compete in the same licence level that they held immediately prior to racing in such other country.
- c) Downgrading Licence
- (i) KA may at its sole discretion grant exemptions to the down grade criteria where it considers that an exemption is warranted.
- (ii) A Driver wishing to downgrade their licence (from A to B or B to C) must apply to the KA Licence Review Panel.
- (iii) This application must include the reasons why the Driver wishes to downgrade their licence.
- (iv) The application must be submitted on the Licence Review form available from www.karting.net.au or the KA National Office.

19 Medical Standards

- a) Introduction
- i) KA has developed medical standards that are to ensure the safety of all individuals who participate in karting activity including: Drivers, Officials and spectators.
- b) Medical Requirements
- i) There are three (3) components to the medical requirements prior to the issuing of a KA Drivers Licence.
- ii) These Medical Requirements do not apply to a person driving a Kart in a Bring A Mate activity and/or a Come and Try Day activity.
- c) Medical Questionnaire
- i) The Medical Questionnaire must be completed by any person applying for a Drivers Licence to drive any type of Kart (the Applicant).

- ii) The Medical Questionnaire is a series of questions that the Applicant is required to answer fully and truthfully to ~~general health questions~~ on your **their** licence application on CMS.
 - iii) If the Applicant answers 'Yes' to any of the questions on the Medical Questionnaire, they will be required to undergo a full Medical Examination.
- d) Medical Examination
- i) A Medical Examination is required for:
 - 1) any Applicant who ticked 'Yes' to any of the questions in the Medical Questionnaire; and
 - 2) any Applicant applying for and/or renewing an A Grade Senior Licence in accordance with the requirements of the Medical Standards.
 - ii) A Medical Examination of an Applicant must be completed by a Licenced Medical Practitioner.
 - iii) It is strongly recommended that the Medical Examination be performed by a Medical Practitioner who is familiar with the Applicant's medical history.
 - iv) The examining Medical Practitioner must be aware that the Applicant is applying for a licence to participate in Karting activities and events.
 - v) The purpose of the Medical Examination is to determine whether the Applicant is physically and mentally FIT to control a Kart in order to ensure the safety of the Driver, other Drivers, Officials and spectators during a Karting Activity **and or Competition**.
 - vi) All medical clearances of the Applicant by a treating doctor or doctors and/or a specialist or specialists must be in writing and clearly state:
 - 1) the medical diagnosis; and
 - 2) the severity/degree of impairment; and
 - 3) whether, in the opinion of that doctor, the Applicant is:
 - a. FIT; or
 - b. UNFIT; or
 - c. Unable to Comment on;the Applicants suitability to control a Kart
- e) International Licences
- i) An Applicant for any International Licence are required to fulfil the Medical Requirements of the FIA International Sporting Code.
 - ii) An Applicant exchanging a driver's licence issued by a foreign ASN are still required to undergo a KA Medical Examination in accordance with the FIA International Sporting Code
- f) Depending upon an Applicant's medical history or current medical status, KA may not be able to issue them with a Driver's Licence.
- g) In all circumstances, the final decision to grant a Drivers Licence to an Applicant is at the sole discretion of KA.

20 Cadet 9 Licence Criteria

Licence Level	Cadet 9				
Licence Grade	8-Day	E	D	C	B
Minimum Age	6 Years Old NOTE: Valid for Practice at a Club Only		7 Years Old		
Maximum Age	Date of 10th Birthday				
Application Requirements	Must be a Member of a Club or be deemed to be the holder of a current membership of an affiliated Club in accordance with the Rules.				
	Must complete Licence Application				
	Date of Birth Required	Copy of Birth Certificate Required			
Pre Licence Conditions	Satisfactorily complete Safety Training Requirements			Have held a D Grade Licence and meet upgrade conditions	Held C Grade Licence and meet upgrade conditions
	If 7 years old and over Successfully Completed Observed Driving Session prior to Competing at a Meeting.				
Upgrade Conditions to the next Level of Licence			Satisfactorily Compete at four (4) Meetings with a D Grade licence		Satisfactorily Compete at six (6) Meetings with a C Grade licence
			Must have Licence endorsed at the end of each Meeting		
			Must apply to State Secretary via CMS		
Eligible Classes	<ul style="list-style-type: none"> • Cadet 9 • Cadet 4SS 	<ul style="list-style-type: none"> • Cadet 9 • Cadet 4SS 	<ul style="list-style-type: none"> • Cadet 9 • Cadet 4SS 	<ul style="list-style-type: none"> • Cadet 9 • Cadet 4SS • MicroMax 	
Eligible Meetings	<ul style="list-style-type: none"> • If between 6 and 7 years old – Valid for practice only and Not eligible to Compete in a Meeting. 		<ul style="list-style-type: none"> • State Series and below 	<ul style="list-style-type: none"> • National Championship and below 	
	<ul style="list-style-type: none"> • Club: If between 7 and 9 years old may Compete in one (1) Meeting a year after successfully completing ODS 				
Other Conditions	<ul style="list-style-type: none"> • Must Display "P Plate on Kart at all times" 				

* Ref. Competition Rules Chapter 4 Rule 14 a)

21 Cadet 12 Licence Criteria

Licence Level	Cadet 12				
Licence Grade	8-Day	E	D	C	B
Minimum Age	Year of 9th Birthday				
Maximum Age	Date of 13th Birthday				
Application Requirements	Must be a Member of a Club or be deemed to be the holder of a current membership of an affiliated Club in accordance with the Rules.				
	Must complete Licence Application				
	Date of Birth Required	Copy of Birth Certificate Required			
Pre Licence Conditions	Satisfactorily complete Safety Training Requirements			Have held a D Grade Licence and meet upgrade conditions	Held C Grade Licence and meet upgrade conditions
	Successfully Completed Observed Driving Session prior to Competing at a Meeting.				
Upgrade Conditions to the next Level of Licence				Satisfactorily Compete at four (4) Meetings with a D Grade licence	Satisfactorily Compete at six (6) Meetings with a C Grade licence
				Must have Licence endorsed at the end of each Meeting	
				Must apply to State Secretary via CMS	
Eligible Classes	<ul style="list-style-type: none"> • Cadet 12 • Cadet 4SS 	<ul style="list-style-type: none"> • Cadet 12 • Cadet 4SS 	<ul style="list-style-type: none"> • Cadet 12 • Cadet 4SS 	<ul style="list-style-type: none"> • Cadet 12 • Cadet 4SS 	
Eligible Meetings	Club - May Compete in one (1) Meeting a year after successfully completing ODS		• State Series and below	• National Championship and below	
Other Conditions	Must Display "P Plate on Kart at all times*				

* Ref. Competition Rules Chapter 4 Rule 14 a)

22 Junior Licence Criteria

Licence Level	Junior					
Licence Grade	8-Day	E	D	C / E-C	B / E-B	A / E-A
Minimum Age	Year of 12th Birthday (*See Note below - Class restrictions may apply)					
Maximum Age	Date of 16th Birthday					
Application Requirements	Must be a Member of a Club or be deemed to be the holder of a current membership of an affiliated Club in accordance with the Rules.					
	Must complete Licence Application					
	Date of Birth Required	Copy of Birth Certificate Required				
Pre Licence Conditions	Satisfactorily complete Safety Training Requirements			Have held a D Grade Licence and meet upgrade conditions; or	Held C Grade Licence and meet upgrade conditions; or	Held B Grade Licence and meet upgrade conditions
	Successfully Completed Observed Driving Session prior to Competing at a Meeting.			Previously held a Cadet 12 C Grade Licence	Previously held a Cadet 12 B Grade Licence	
Upgrade Conditions to the next Level of Licence				Satisfactorily Compete at four (4) Meetings with a D Grade Licence	Satisfactorily Compete at six (6) Meetings with C Grade Licence	Top 5 finish in a National Championship or National Series in a Junior Class
				Must have Licence endorsed at the end of each Meeting		Top 3 finish in a State Championship in a Junior Class
				Must apply to State Secretary via CMS		
Eligible Classes	<ul style="list-style-type: none"> KA4 Junior 4SS Junior 4SE Junior Yamaha Junior 	<ul style="list-style-type: none"> KA4 Junior 4SS Junior 4SE Junior Yamaha Junior 	<ul style="list-style-type: none"> KA4 Junior 4SS Junior 4SE Junior Yamaha Junior 	<ul style="list-style-type: none"> KA4 Junior 4SS Junior 4SE Junior Yamaha Junior 	<ul style="list-style-type: none"> KA4 Junior KA3 Junior* Junior Performance* Junior Max* 4SS Junior 4SE Junior Yamaha Junior 	<ul style="list-style-type: none"> KA2* KA4 Junior KA3 Junior* Junior Performance* Junior Max* 4SS Junior 4SE Junior Yamaha Junior

Junior Licence Criteria (Continued)

Licence Level	Junior					
Licence Grade	8-Day	E	D	C	B	A
Eligible Meetings	Club - May Compete in one (1) Meeting a year after successfully completing ODS	<ul style="list-style-type: none"> • State Series and below • 4SE Meetings 		<ul style="list-style-type: none"> • National Championship and below • 4SE Meetings 		
Other Conditions	Must Display "P Plate on Kart at all times"				NOTE *: Minimum age to Compete or Drive a Kart in these Classes in Year of thirteenth (13th) birthday	

* Ref. Competition Rules Chapter 4 Rule 14 a)

23 Senior Licence Criteria

Licence Level	Seniors					
Licence Grade	8-Day	E	D	C / E-C	B / E-B	A / E-A
Minimum Age	15 years old			Year of 15th Birthday		
Maximum Age	N/A					
Application Requirements	Must be a Member of a Club or be deemed to be the holder of a current membership of an affiliated Club in accordance with the Rules.					
	Must complete Licence Application					
	Date of Birth Required	Copy of Birth Certificate Required (if under 18 years of age)				
Pre Licence Conditions	Satisfactorily complete Safety Training Requirements			Have held a D Grade Licence and meet upgrade conditions; or	Held C Grade Licence and meet upgrade conditions; or	Held B Grade Licence and meet upgrade conditions
	Successfully Completed Observed Driving Session prior to Competing at a Meeting			Previously held a Junior C Grade Licence	Previously held a Junior B Grade Licence	Previously held a Junior A Grade Licence

Senior Licence Criteria (Continued)

Licence Level	Seniors							
Licence Grade	8-Day	E	D	C / E-C	B / E-B	A / E-A		
Upgrade Conditions to the next Level of Licence				Satisfactorily Compete at four (4) Meetings with a D Grade Licence	Satisfactorily Compete at six (6) Meetings with C Grade Licence	Top 5 finish in a National Championship or National Series		
				Must have Licence endorsed at the end of each Meeting				Top 3 finish in a State Championship
				Must apply to State Secretary via CMS				
Eligible Classes	<ul style="list-style-type: none"> • KA4 Senior • KA3 Senior • TaG 125 Restricted • 4SS Senior • 4SE Senior • Yamaha Senior 	<ul style="list-style-type: none"> • KA4 Senior • KA3 Senior • TaG 125 Restricted • 4SS Senior • 4SE Senior • Yamaha Senior 	<ul style="list-style-type: none"> • KA4 Senior • KA3 Senior • TaG 125 Restricted • All Vintage Classes • 4SS Senior • 4SE Senior • Yamaha Senior 	<ul style="list-style-type: none"> • KA4 Senior • KA3 Senior • TaG 125 Restricted • All Vintage Classes • 4SS Senior • 4SE Senior • Yamaha Senior • 4SS Super 	<ul style="list-style-type: none"> • KA4 Senior • KA3 Senior • TaG 125 Restricted • TaG 125 • X30 • Rok GP • Rotax 125 • DD2 • Open Performance • All Vintage Classes • 4SS Senior • 4SE Senior • Yamaha Senior • 4SS Super 	<ul style="list-style-type: none"> • KA4 Senior • KA3 Senior • TaG 125 Restricted • TaG 125 • X30 • Rok GP • Rotax 125 • DD2 • Open Performance • KZ2 • All Vintage Classes Eras • 4SS Senior • 4SE Senior • Yamaha Senior • 4SS Super 		

Senior Licence Criteria (Continued)

Licence Level	Seniors					
Licence Grade	8-Day	E	D	C	B	A
Eligible Meetings	Club - May Compete in one (1) Meeting a year after successfully completing ODS		<ul style="list-style-type: none"> • State Series and below • Vintage Meetings • 4SE Meetings 	<ul style="list-style-type: none"> • National Championship and below • Vintage Meetings • 4SE Meetings 		
Other Conditions	Must Display "P Plate on Kart at all times"					

* Ref. Competition Rules Chapter 4 Rule 14 a)

**Refer Class Rules

24 Vintage Licence Criteria

Licence Level	Vintage
Licence Grade	V
Minimum Age	15 years old
Maximum Age	N/A
Application Requirements	Must be a Member of a Club or be deemed to be the holder of a current membership of an affiliated Club in accordance with the Rules.
	Must complete Licence Application
	Copy of Birth Certificate Required (if under 18 years of age)
Pre Licence Conditions	Satisfactorily complete Safety Training Requirements
	Successfully Completing Observed Driving Session
Eligible Classes	All Vintage Classes
Eligible Meetings	Vintage Events Only

25 Participants Licence Criteria

Licence	Participant
Licence Grade	N/A
Minimum Age	18 years old
Maximum Age	N/A
Application Requirements	May be a Member of a Club
	Must complete Licence Application
Required For	Applying for a Driver's Licence upgrade for a Driver under the age of eighteen (18) years
	Entering a Driver under the age of eighteen (18) years in a Meeting
Eligible Meetings	All Meetings

26 Competitor's Licence Criteria

Licence	Participant
Licence Grade	N/A
Minimum Age	18 years old
Maximum Age	N/A
Application Requirements	May be a Member of a Club
	Must complete Competitors Licence Application Must submit the Competitor's Licence Application to the National Championship or National Series Manager
Required For	Entering a Team in a National Championship, National Series or National Cup Event
	To request the substitution a Driver who is entered in a National Championship, National Series or National Cup Event with another Driver after the close of entries but before the commencement of the Meeting.
Eligible Meetings	National Championship, National Series, National Cup

27 *Mechanic & Pit Crew Licence Criteria*

Licence Level	Mechanic & Pit Crew
Licence Grade	N/A
Minimum Age	16 years old
Maximum Age	N/A
Application Requirements	Must complete Licence Application
	Copy of Birth Certificate Required (if under 18 years of age)
Eligible Classes	All Classes
Eligible Meetings	Mandatory for National Championship & National Series Meetings

Competition Levels & Structure

1 Hierarchy of Events

- a) A Competition conducted in accordance with these Rules will be either a National, State or Club level Meeting.
- b) Outlined below is the hierarchy of Competitions which may be conducted in accordance with these Rules in order of significance from highest to lowest.

Competitions for which the Organising Permit is issued by KA

- (i) National Championship
 - Reserved for the highest level of National Competition as determined by KA
 - Is entered on the KA National Calendar
 - Championship Sporting Regulations approved by KA
 - Supplementary Regulations approved by KA
 - Will be a Maximum of three (3) days in duration
- (ii) National Series
 - Reserved for the second highest level of National Competition as determined by KA
 - Is entered on the KA National Calendar
 - Series Sporting Regulations approved by KA
 - Supplementary Regulations approved by KA
 - Will be a Maximum of three (3) days in duration
- (iii) State Championship
 - Reserved for the third highest level of National Competition as recommended by an SKA and approved by KA
 - Is entered on the KA National Calendar
 - Supplementary Regulations approved by KA
 - Will be a Maximum of three (3) days in duration
- (iv) National Cup
 - Reserved for the fourth highest level of National Competition as determined by KA
 - Is entered on the KA National Calendar
 - Supplementary Regulations approved by KA
 - Unless otherwise approved by KA, will be a special one-off event and not part of a Series or Championship
 - Will be a Maximum of three (3) days in duration

Competitions for which the Organising Permit is issued by a SKA

- (v) State Series
 - Reserved for the highest level of State Competition approved by an SKA
 - Is entered on the State Calendar
 - Supplementary Regulations approved by SKA
 - Will be a Maximum of two (2) days in duration
- (vi) State Cup
 - Reserved for the second highest level of State Competition (a Black Plate Event) approved by an SKA
 - Is entered on the State Calendar
 - Supplementary Regulations approved by the SKA

- A special one-off event and is not part of a Series or Championship
 - Will be a Maximum of three (3) days in duration
- (vii) State Trophy
- Reserved for Events of significance approved by an SKA
 - Is entered on the State Calendar
 - Supplementary Regulations approved by the SKA
 - A special one-off event and is not part of a Series or Championship
 - Will be a Maximum of three (3) days in duration
- (viii) Zonal Competition
- takes place within a designated region of a State or Territory as approved by the SKA
 - Is entered on the State Calendar
 - Supplementary Regulations approved by the SKA
 - May be a special one off event or a Series conducted over a minimum of two (2) rounds
 - Will be a Maximum of two (2) days in duration
- (ix) Club Competition
- Takes place at a Club that is affiliated with that State.
 - May be entered on the State Calendar
 - Supplementary Regulations approved by the SKA
 - Will not be nor form part of any National Meeting, State Meeting or Zonal Meeting;
 - A Club Championship will be conducted over a minimum of three (3) rounds
 - Will be a Maximum of two (2) days in duration.

2 National Championship

- a) The Australian Kart Championship is a National Championship.
- b) Unless otherwise approved by KA the National Championship will be conducted in accordance with these Rules and the Championship Sporting Regulations as approved by KA.
- (i) Should there be a conflict between the Rules and the Championship Sporting Regulations, the Rules will prevail.
- c) The National Championship will be conducted over a maximum of 5 rounds in a minimum of two (2) States or Territories.
- d) Eligible Classes and Divisions:
- (i) Cadet 9
 - (ii) Cadet 12
 - (iii) KA4 Junior - Championship
 - (iv) KA3 Senior - Championship
 - (v) KA2
 - (vi) TaG 125 - Championship
 - (vii) X30 - Light
 - (viii) KZ2
- e) Competition numbers 1- 5 ~~3~~ will be reserved for the top ~~five (5)~~ **three (3)** placings in the National Championship.
- (i) Other than the National champion, a Driver is only permitted to use a reserved competition number if they Compete in the same Class in the National Championship in which the competition number was earned.
- (ii) The winner of the National Championship will be allocated a green plate with a yellow number 1. The green plate may only be used in the same Class in which it was awarded.
- (iii) The green plate and the number 1 may be used in all Meetings.

- (iv) The green plate may be used from the end of the National Championship in which it was earned until the end of next year's National Championship.
- f) For all Classes other than Cadet 9, Cadet 12 and X30 Light (if it is contested as a State Championship Class in a State that hosts a round or rounds of the National Championship)
 - (i) When the National Championship is conducted once in a State in a year, the Driver who wins their Class at that Meeting will be awarded the State Championship in that Class.
 - (ii) When the National Championship is conducted more than once in a State in a year, the Driver who is awarded the most points in their Class at those Meetings will be awarded the State Championship in that Class subject to the provisions of Rules 4 t (v), (vi), (vii), (viii), (ix) (x) and (xi).

3 National Series

- a) Unless otherwise approved by KA a National Series will be conducted in accordance with these Rules and the Series Sporting Regulations as approved by KA.
 - (i) Should there be a conflict between the Rules and the Series Sporting Regulations, the Rules will prevail.
- b) The National Series may be conducted over a maximum of six (6) rounds.
- c) The promoter of a National Series will recommend to KA what they consider to be the most suitable Circuits to use for the National Series events based on, but not limited to the following criteria:
 - (i) Location and facilities.
 - (ii) A Minimum Track length of 750m.
 - (iii) A Maximum Track Length of 1200m.
 - (iv) A Minimum Track width of 7m throughout the entire Track length.
- d) Competition numbers 1-5 ~~3~~ will be reserved for the top ~~five (5)~~ **three (3)** placings in the National Series.
 - (i) Other than the National Series champion, a Driver is only permitted to use a reserved competition number if they Compete in the same Class in the National Series in which the competition number was earned.
 - (ii) The winner of the National Series will be allocated a red plate with a white number 1. The red plate may only be used in the same Class in which it was awarded.
 - (iii) The red plate and the number 1 may be used in all Meetings.
 - (iv) The red plate may be used from the end of the National Series in which it was earned until the end of the following year's National Series.

4 State Championship

- a) Unless otherwise approved by KA, a State Championship must be conducted in accordance with the Rules generally and particularly in accordance with this Rule 4.
- b) A State Championship will be conducted over a maximum of four (4) rounds each Year.
- c) **An SKA will recommend to KA what they consider to be the most suitable dates on which to conduct the State Championship for KA's consideration and if approved, inclusion in the KA National Calendar.**
- d) An SKA will recommend what they consider to be the most suitable Circuits to use for a State Championship to KA based on, but not limited to the following
 - (i) A Minimum Track Density of 28.
 - (ii) Having facilities deemed suitable by the SKA to host a State Championship.
- e) Eligible Classes
 - (i) A Maximum of twelve (12) Classes/Divisions are permitted to Compete at a State Championship Meeting.

- (ii) The following Classes/Divisions must be permitted to Compete in a State Championship Meeting:
 - 1) Cadet 9
 - 2) Cadet 12
 - 3) KA4 – Junior
 - 4) TaG 125
 - 5) KA3 - Junior
 - 6) KA3 - Senior
- (iii) A SKA may recommend to KA for approval up to four (4) additional Classes/Divisions from the list below to Compete in a State Championship.
 - 1) X30
 - 2) Open Performance
 - 3) ~~Rotax 125~~
 - 3) Rotax DD2
 - 4) Any other Class/Divisions with the prior approval of KA. Note that additional Divisions may be permitted by KA if such Classes/Divisions are consolidated with other Classes / Divisions in accordance with the Rules.
 - 5) The 'Championship' Weight Division as designated in the relevant Class Rules for KA4 Junior, KA3 Senior and TaG 125 are permitted to be used. ~~in those States and Territories that do not host a round of the National Championship.~~
- f) **Organising Committee** and application for an Organising Permit
 - (i) **The SKA will nominate at least one (1) person from the SKA Management Committee/ Executive to sit on the Organising Committee for the Event. It is recommended that this person is the chair of the Committee.**
 - (ii) Two (2) months prior to the scheduled date of commencement of a State Championship, an SKA must submit to KA:
 - An Application for an Organising Permit;
 - A copy of the proposed Supplementary Regulations for the Meeting for review and approval
 - (iii) Once the Supplementary Regulations are approved, the State Secretary will distribute to the necessary Officials and others as may be required.
- g) Entry to a Meeting
 - (i) Entries for a State Championship will close a Minimum of
 - seven (7) days prior to the first day of Competition; or
 - (ii) Late entries will not be accepted under any circumstances
- h) Entry Fee
 - (i) The entry fee for each round of a State Championship shall be decided by the SKA
 - (ii) The entry fee will include:
 - Entry of one (1) Kart in a Class
 - All practice fees
 - Entry to the Course for one (1) Driver and two (2) pit crew.
 - (iii) An Entry Fee which is paid by credit card may attract a processing fee. The processing fee will be listed in the Supplementary Regulations.
- i) Appointed Officials
 - (i) Appointed Officials listed below may be nominated by an SKA, and must be approved by KA for a State Championship Meeting:

- 1) a minimum of four (4) Stewards.
 - a. one (1) Steward who must have with a Minimum grade 1 Steward licence
 - b. two (2) Stewards which must have a Minimum grade 2 Steward licence
 - c. one (1) Steward who must have a Minimum grade 3 Steward licence
- 2) one (1) Clerk of the Course with a Minimum grade 2 Clerk of the Course licence.
- 3) one (1) Chief Scrutineer with a Minimum grade 2 Scrutineer licence.

j) Timing

- (i) Each Competition will be timed at a State Championship Meeting.
- (ii) Each Competition must utilise the MYLAPS Orbits 5 timing software in conjunction with a MYLAPS compatible timing transponder to undertake timing.
- (iii) A manual back up system must also be used for all Competitions at a Meeting.

k) Minimum Entries

- (i) If less than eight (8) genuine entries are received (with the exception of Tasmania, South Australia and Northern Territory) to constitute a Class by the listed close of entries then the Class may not be contested.
- (ii) All Drivers whose entry is not accepted for any Class shall be notified as soon as possible and the entry fee will be refunded.
- (iii) In exceptional circumstances KA may give approval for a lesser number of entries in a Class.

l) Practice

- (i) The Track will be closed from the Monday of the week in which the Meeting commences until the commencement of the Meeting.
- (ii) Untimed practice may be scheduled at a Meeting.
- (iii) Each Class will have a Minimum of two (2) timed practice sessions at a Meeting.
- (iv) Times set in the last timed practice session will determine the order of karts for qualifying from fastest to slowest.

m) Qualifying

- (i) Each Class will have one (1) qualifying session at a Meeting.
- (ii) A Driver may only qualify one (1) Kart in each Class at a Meeting.

n) Races

- (i) Each Class will have a minimum of three (3) Heat Races at a Meeting. Each Heat Race will be expressed by a number of laps. Two (2) of the Heat Races will be approximately 12km in duration and one of the Heat Races will be approximately 15km in duration.
- (ii) Each Class will have one (1) Final Race at a Meeting. The Final Race will be approximately 20km in duration expressed by a number of laps.

o) Grid Procedure 1 (Track Density Not Exceeded)

- (i) At a Meeting where a Class is under-subscribed or does not exceed the Track density listed in the Rules the following procedures will be used to set the grid positions , unless Grid Procedure 2 is used.
- (ii) Grid positions for Heat Race one (1), Heat Race two (2), Heat Race three (3) and Heat Race four (4) will be based on the times achieved in qualifying, with the fastest time on grid one, and so on.
- (iii) Grid positions for the Final Race will consist of the lowest combined points scored from Heat Race one (1), Heat Race two (2), Heat Race three (3) and Heat Race four (4) will start from grid position one (1), and so on.
 - 1) 1st = 0 points, 2nd = 2 points, 3rd = 3 points, and so on with one point being added for each place.

- 2) Non-starters and non-finishers to be awarded a finishing position based on the number of laps completed, then the grid position awarded from the start of the Heat.
 - 3) In the event of a tie on points, the lower grid position will be awarded to the Driver with the faster original qualifying time.
 - 4) If a driver fails to take the start they will be classified in grid order behind the number of starters in that Race. If a driver is Disqualified from a Heat Race they will be awarded points equal to the number of entries in the Heat of that Class or Division plus one (1).
- (iv) The finishing order of the final Race determines the winning positions in each Class.
- p) Grid Procedure 2 (Track Density Not Exceeded)
- (i) At a Meeting where a Class is under-subscribed or does not exceed the Track density listed in the Rules the following procedures will be used to set the grid positions, unless Grid Procedure 1 is used.
 - (ii) Grid positions for Heat Race one (1) and Heat Race two (2) will be based on the times achieved in qualifying, with the fastest time on grid one, and so on.
 - (iii) Grid positions for Heat Race three (3) will consist of the lowest combined points scored from Heat Race one (1) and Heat Race two (2) will start from grid position one (1), and so on.
 - (iv) If scheduled, grid positions for Heat Race four (4) will consist of the lowest combined points scored from Heat Race one (1), Heat Race two (2) and Heat Race three (3) will start from grid position one (1), and so on.
 - (v) Grid positions for the Final Race will consist of the lowest combined points scored from Heat Race one (1), Heat Race two (2), Heat Race three (3) and Heat Race four (4) (if conducted) will start from grid position one (1), and so on.
 - (vi) The following point score system will be used for determining the grid positions for Heat Race three (3), Heat Race four (4) and the final. These points will not count towards the Championship points.
 - 1) 1st = 0 points, 2nd = 2 points, 3rd = 3 points, and so on with one (1) point being added for each place.
 - 2) Non-starters and non-finishers to be awarded a finishing position based on the number of laps completed.
 - 3) In the event of a tie on points, the lower grid position will be awarded to the Driver with the faster original qualifying time.
 - 4) If a driver fails to make the start they will be classified in grid order behind the number of starters in that Race. If a driver is Disqualified from a Heat Race they will be awarded points equal to the number of entries in the Heat of that Class or Division plus one (1).
 - (vii) The finishing order of the final Race determines the winning positions in each Class.
- q) Grid Procedure 3 (Over-subscribed Classes)
- (i) At a Meeting where the number of Drivers entered in a Class exceeds the Track density listed in the Rules the following procedures including a repechage system may be used to set the grid positions.
 - (ii) Grid positions for Heat Race one (1), Heat Race two (2), Heat Race three (3) and Heat Race four (4) (if conducted) will be based on the times achieved in qualifying, with the fastest time on grid one, and so on.
 - (iii) Over-subscribed Classes will be split into two (2) groups for qualifying by the Chief Timekeeper
 - 1) Both groups will have one (1) qualifying session at the Meeting
 - 2) At the end of the qualifying session for both groups, all but the last five (5) grid positions, subject to the Track density, will be filled immediately for the Heat Races.

- (iv) The fastest overall qualifier will start Heat Race one (1), Heat Race two (2), Heat Race three (3) and Heat Race four (4) (if conducted) from grid position one (1), the second fastest overall qualifier will start Heat Race one (1), Heat Race two (2), Heat Race three (3) and Heat Race four (4) (if conducted) from grid position two (2), and so on. The last five (5) grid positions for Heat Races one (1) and two (2) are filled from the top five (5) results of a repechage Race between the remainder of the Drivers in the Class.
 - 1) There will be one (1) repechage Race.
 - 2) Any Driver who does not automatically qualify for Heat Races one (1), two (2), three (3) and four (4) (if conducted) will be permitted to Compete in the repechage Race.
 - 3) Grid positions will be determined on the results of the qualifying session for both groups, with the fastest time on grid position one (1) and so on.
 - 4) The repechage Race will be conducted over a Minimum distance of 11km expressed as a number of laps.
 - 5) A Driver who fails to qualify for a starting position in the Heat Races one (1) and two (2) will be eliminated from that Class for the Meeting and will be refunded 50% of their entry fee.
 - (v) Grid positions for the Final Race will consist of the lowest accumulated points scored from Heat Race one (1), two (2), three (3) and four (4) (if conducted) will start from grid position one (1), and so on.
 - 1) 1st = 0 points, 2nd = 2 points, 3rd = 3 points, and so on with one point being added for each place.
 - 2) Non-starters and non-finishers to be awarded a finishing position based on the number of laps completed, then the grid position awarded from the start of the Heat.
 - 3) In the event of a tie on points, the lower grid position will be awarded to the Driver with the faster original qualifying time.
 - (vi) The finishing order of the final Race determines the winning positions in each Class.
- r) Grid procedure 4 (Over-subscribed Classes)
- (i) At a Meeting where the number of Drivers entered in a Class exceeds the Track density listed in the Rules the following procedures including a repechage system may be used to set the grid positions.
 - (ii) The Event format will include:
 - 1) one (1) qualifying session
 - 2) a Maximum of three (3) Heat Races; and
 - 3) a Final Race
 - (iii) Timed Qualifying
 - 1) Qualifying will be timed in accordance with the Rules.
 - 2) Over-subscribed Classes will be split into two (2) qualifying groups. The slowest 50% will be classified as Group 1 and the fastest 50% will be classified as Group 2. Where the separation results in an odd number of Karts, the lesser number will comprise Group 1.
 - 3) At the end of the qualifying session for both groups, Drivers will be split into four (4) groups:
 - a. Group A
 - b. Group B
 - c. Group C; and
 - d. Group D
 - 4) Group A will include the fastest qualifier, fifth fastest qualifier and so on.
 - 5) Group B will include the second fastest qualifier, sixth fastest qualifier and so on.
 - 6) Group C will include the third fastest qualifier, seventh fastest qualifier and so on.

- 7) Group D will include the fourth fastest qualifier, eighth fastest qualifier and so on.
 - 8) This process will continue until all Drivers are allocated a group.
- (iv) Heats
- 1) Each group will Race against each other group over three (3) Heat Races.
 - 2) The fastest qualifier (1st in Group A) will start three (3) Heat Races from pole position.
 - 3) The second fastest qualifier (1st in Group B) will two (2) Heat Races from pole position.
 - 4) The third fastest qualifier (1st in Group C) will start one (1) Heat Race from pole position.
 - 5) Each Heat Race will be conducted over a Minimum distance of 7km expressed as a number of laps.
 - 6) Heat 1A – Group A vs Group D with the following grid order:
 - a. Group A will occupy grid positions 1, 3, 5, 7, etc,
 - b. Group D will occupy grid positions 2, 4, 6, 8, etc
 - 7) Heat 1B – Group B vs Group C with the following grid order:
 - a. Group B will occupy grid positions 1, 3, 5, 7, etc,
 - b. Group C will occupy grid positions 2, 4, 6, 8, etc
 - 8) Heat 2A – Group A vs Group C with the following grid order:
 - a. Group A will occupy grid positions 1, 3, 5, 7, etc,
 - b. Group C will occupy grid positions 2, 4, 6, 8, etc
 - 9) Heat 2B – Group B vs Group D with the following grid order:
 - a. Group B will occupy grid positions 1, 3, 5, 7, etc,
 - b. Group D will occupy grid positions 2, 4, 6, 8, etc
 - 10) Heat 3A – Group A vs Group B with the following grid order:
 - a. Group A will occupy grid positions 1, 3, 5, 7, etc,
 - b. Group B will occupy grid positions 2, 4, 6, 8, etc
 - 11) Heat 3B – Group C vs Group D with the following grid order:
 - a. Group C will occupy grid positions 1, 3, 5, 7, etc,
 - b. Group D will occupy grid positions 2, 4, 6, 8, etc
 - 12) To be eligible for a grid position in the Final Race a Driver must:
 - a. Register a qualifying time
 - b. Compete in at least two (2) Heat Races
 - 13) The combined points accumulated by a Driver from Heat Race one (1), Heat Race two (2) and Heat Race three (3) will only determine the grid for the final Race as follows:
 - a. 1st = 0 points, 2nd = 2 points, 3rd =3 points, and so on with one point being added for each place.
 - b. The Driver who has accumulated the least points in the Heat Races will start on Pole Position for the Final Race.
 - c. The Driver who has accumulated the second least points in the Heat Races will start on Grid 2 for the final Race and so on until the grid is filled to Track Density.
 - d. In the event of a tie on points, the lower grid position will be awarded to the Driver with the faster qualifying time.
 - e. Non-starters and non-finishers in a Heat Race will be awarded a finishing position based on the number of laps completed.
 - f. If a Driver fails to make the Start they will be classified in grid order behind the number of starters in the Race. If a Driver is Disqualified from a Heat Race they will be awarded points equal to the number of entries in the Heat of that Class plus one.

s) Point Score

(i) Multiple Round Championship

- 1) All Races in a State Championship will count towards determining the final result in a State Championship conducted over more than one round.
- 2) Results from a Meeting which is not part of the State Championship will have no bearing on the determination of the State Championship.
- 3) Drivers will be awarded State Championship points based on the results of qualifying and each Race at a State Championship Meeting, subject to any Penalties imposed.
- 4) State Championship points will be awarded in accordance with the table below:

Position	Qualifying	Heat Race	Final Race
1	2	15	30
2		13	26
3		12	24
4		11	22
5		10	20
6		9	18
7		8	16
8		7	14
9		6	12
10		5	10
11		4	8
12		3	6
13		2	4
14		1	2
15 to last classified finisher			1

- 5) The combined point score achieved by each Driver in a State Championship Meeting will become the State Championship points for that Meeting.
- 6) Non-finishers in any Race will not be awarded State Championship points for that Race.
- 7) Ties for State Championship points at a Meeting will be resolved by allocating Meeting finishing positions in the order of the results in the Final Race at the Meeting.
- 8) In the event of two (2) or more Drivers scoring equal points at the end of the State Championship, the final State Championship order will be determined by reference to each Drivers overall placing at each State Championship Meeting conducted.
- 9) The Driver with the greater number of first places will assume the higher place in the final State Championship order.
- 10) If this fails to break the tie, then the Driver with the greater number of second places will assume the higher place in the State Championship order, and so on until the tie is broken.
- 11) If this fails to break the tie, then the Driver who was the higher placed finisher in the final Race of the State Championship will be declared the winner.

(ii) Single Round Championship

- a. The placing's for the Championship will be determined by the placing's obtained in the Final Race.
 - b. A Driver must be classified as a finisher in the Final Race to be eligible for the Championship awards.
- t) Trophies
- (i) Trophies for a State Championship Meeting are the responsibility of the Organiser.
 - (ii) Trophies will only be awarded to the top three (3) finishers in the Final Race of each Class at a State Championship Meeting.
 - (iii) The SKA will approve the type and size of the trophies for each Class at a State Championship Meeting.
- u) Plates and Reserved Numbers
- (i) The winner of the State Championship will be allocated a blue plate with white numbers. The blue plate may only be used in the same Class in which it was awarded.
 - (ii) Blue number plates will be provided by the SKA for presentation after the final Meeting in the State Championship.
 - (iii) The blue plate may be used from the end of the State Championship in which it was earned until the end of the following year's State Championship.

5 National Cup Meetings

- a) National Cup Meetings may meet the general following criteria:
 - (i) Be a traditional event as determined by KA.
 - (ii) Be a one-off event of significance that is promoted by a Club.
 - (iii) Be a special event that is promoted by a Promoter that is neither a Club nor an SKA.
- b) National Cup Meetings may be permitted at the discretion of KA, and will be listed on the KA National Calendar.
- c) Unless otherwise approved by KA a National Cup Meeting will be conducted in accordance with these Rules and the Supplementary Regulations for the Meeting.
- d) National Cup Meetings will only be permitted to take place on dates and within regions as determined by KA. Such dates and regions must not clash with National Championship, National Series or State Championship Meetings being held on the same date in the same region.
- e) National Cup Meetings may not form any part of a Championship or Series and must be completed in a single Meeting.
- f) A Circuit being used for a National Cup Meeting must be approved by KA.

6 State Series, State Cup, State Trophy, Zonal Competition

- a) A State Series, State Cup, State Trophy or Zonal Competition Meeting may be conducted by an Organiser with the approval of the SKA.
- b) Unless otherwise approved by KA, State Series, State Cup, State Trophy or Zonal Competition Meetings must be conducted in accordance with:
 - (i) the Rules generally,
 - (ii) the provisions of this Rule 6; and
 - (iii) State Regulations; and
 - (iv) any other conditions as imposed by an SKA.
 - (v) the Supplementary Regulations for that Meeting.
- c) A State Series will be conducted over more than one (1) round each calendar year.
- d) A State Cup Meeting may not form any part of a Championship or Series and must be completed in a single Meeting.
- e) A State Trophy Meeting may not form any part of a Championship or Series and must be completed in a single Meeting or on consecutive days.

- f) A Zonal Competition may be either a single event or conducted over more than one (1) round each calendar year.
- g) A Circuit being used for a State Series, State Cup, State Trophy or Zonal Competition Meeting must be approved by the SKA.
- h) Eligible Classes
- (i) All Classes and Divisions that must be permitted to Compete in a State Championship Meeting must be permitted to Compete in State Series, State Cup, State Trophy and Zonal Competition Meetings. (Note: Consolidation of Classes Rules apply.)
 - (ii) Only Classes listed in the Rules, including the relevant State Regulations may Compete at a State Series Meeting or below.
- i) Application for an Organising Permit
- (i) One (1) month prior to the scheduled date of commencement of a State Series, State Cup, State Trophy or Zonal Competition Meeting, the Organiser must submit to the SKA:
 - An Application for an Organising Permit;
 - The appropriate Organising Permit fee;
 - A copy of the proposed Supplementary Regulations for the Meeting for review and approval.
 - (ii) Once the Supplementary Regulations are approved, the State Secretary will distribute to the necessary Officials and others as may be required.
- j) Entry to a Meeting
- (i) Entries for a State Series, State Cup, State Trophy or Zonal Competition Meeting will close immediately prior to the first scheduled on Track activity at that Meeting.
 - (ii) Late entries will not be accepted under any circumstances.
- k) Entry Fee
- (i) The entry fee for each round of a State Series, State Cup, State Trophy or Zonal Competition Meetings shall be decided by the Organiser and approved by the SKA
 - (ii) The entry fee will include:
 - Entry of one (1) Kart in a Class/Division
 - All practice fees
 - Entry to the Course for one (1) Driver and two (2) pit crew.
 - (iii) An Entry Fee which is paid by credit card may attract a processing fee. The processing fee will be listed in the Supplementary Regulations.
- l) The Minimum number of Appointed Officials must be in accordance with the Rules.
- m) Timing
- (i) Each Competition will be timed.
 - (ii) Each Competition must utilise the MYLAPS Orbits 5 in conjunction with a MYLAPS compatible timing transponder to undertake timing.
 - (iii) A manual back up system may also be used for all Competitions at a Meeting.
- n) Practice
- (i) Untimed Practice and/or Timed practice may take place at a Meeting at the discretion of the Organiser.
- o) Qualifying
- (i) Qualifying may take place as a standalone session or may be combined with a warm up session or Timed practice at the discretion of the Organiser.
 - (ii) A Driver may only qualify one (1) Kart in each Class at a Meeting.
- p) Grid Procedure
- (i) Unless otherwise specified in State Regulations, the gridding procedure for each Heat Race will be based on the times achieved in qualifying with the fastest on grid one and so on.

- q) Races
 - (i) Unless otherwise specified in the State Regulations or the Supplementary Regulations for a Meeting, each Class will generally have three (3) Heat Races at a Meeting. The duration of each Heat Race will be expressed by a number of laps.
 - (ii) Unless otherwise specified in the State Regulations or the Supplementary Regulations for a Meeting, each Class will generally have one (1) final Race at a Meeting. The duration of the final Race will be longer than the Heat Races and will be expressed by a number of laps.
- r) Finishing
 - (i) Unless otherwise specified in State Regulations or Supplementary Regulations the finishing order of the final Race determines the winning positions in each Class.

7 Club Competition

- a) General
 - (i) A Club Meeting may be conducted by an Organiser with the approval of the SKA.
 - (ii) A Club Meetings must be conducted in accordance with:
 - 1) the Rules generally; and
 - 2) the provisions of this Rule 7; and
 - 3) State Regulations; and
 - 4) Any other conditions as imposed by an SKA; and
 - 5) The Supplementary Regulations for that Meeting.
 - (iii) A Circuit being used for a Club Meeting must be approved by the SKA.
 - (iv) A Club Meeting may form part of a Club Championship or be a stand-alone event.
- b) Governing Principles
 - (i) Club Competition should be structured to encourage participation at Grassroots level, provide Drivers with an enjoyable, value for money experience in a friendly and welcoming environment.
 - (ii) Any currently Homologated engine that has been Approved for use in Club Competition in these Rules must be permitted to participate in all Club Competitions.
 - (iii) Unless the Track density is exceeded by the number of entries received, Competition is to be conducted in groups of compatible Classes (Club Groups) – not in Classes and Divisions.
- c) Eligible Club Groups
 - (i) Competition, subject to Track density limitations, Club Competition should be conducted in Competition Club Groups as follows:
 - 1. Cadet
 - a. Cadet 12 – Arranged on the Grid at the front of the Cadet 9 and 4SS Cadet Drivers or in standalone competition.
 - b. Cadet 9
 - c. Cadet 4SS
 - 2. Junior (lower performance)
 - a. KA4
 - b. Yamaha
 - 3. Junior (higher performance)
 - a. KA3
 - b. KA2
 - c. Junior Max
 - d. Junior Performance
 - 4. Junior (4 Stroke)
 - a. 4SS

5. Senior (lower performance)
 - a. KA4
 - b. KA3
 - c. TaG 125 Restricted
 - d. Yamaha
 6. Senior TaG
 - a. TaG125
 - b. X30
 7. Open Performance
 - a. KZ2
 - b. DD2
 - c. Open Performance (In accordance with **Class Rules** - Chapter 17)
 8. Senior (4 Stroke)
 - a. 4SS
- (ii) Only a Kart complying with the Class listed in the Rules including the relevant State Regulations may Compete at a Club Meeting.
- d) Application for an Organising Permit
- (i) One (1) month prior to the scheduled date of commencement of a Club Meeting, the Organiser must submit to the SKA:
 - 1) An Application for an Organising Permit; and
 - 2) The appropriate Organising Permit fee; and
 - 3) A copy of the proposed Supplementary Regulations for the Meeting for review and approval.
 - (ii) Once the Supplementary Regulations are approved, the State Secretary will distribute them to the necessary Officials and others as may be required.
- e) Entry to a Meeting
- (i) Pre-Entries for a Club Meeting will close ~~two (2)~~ a minimum of one (1) day prior to the commencement of the Meeting.
 - (ii) Entries after this time may be accepted in accordance with provisions in the State Regulations and/or Supplementary Regulations.
- f) Entry Fee
- (i) The entry fee for a Club Meeting shall be decided by the Organiser and approved by the SKA
 - (ii) The entry fee will include:
 - 1) Entry of one (1) Kart in a Group including its Driver/s
 - 2) All practice fees
- g) The Minimum number of Appointed Officials must be in accordance with the Rules.
- h) Timing
- (i) Each Competition will be timed; and
 - (ii) Each Competition must utilise MYLAPS Orbits 5 timing software in conjunction with a MYLAPS compatible timing transponder to undertake timing.
 - (iii) A manual back up system may also be used for all Competitions at a Meeting.
- i) Practice
- (i) Untimed Practice and/or Timed Practice may take place at a Meeting at the discretion of the Organiser and must be stipulated in Supplementary Regulations.

- j) Qualifying
 - (i) Qualifying may take place as a standalone session, or may be combined with a warm up session at the discretion of the Organiser and must be stipulated in Supplementary Regulations.
 - (ii) Qualifying may be determined by other means which must be stipulated in State Regulations and the Supplementary Regulations for the Meeting.
 - (iii) A Driver may only qualify one (1) Kart in each Group at a Meeting.
- k) Grid Procedure
 - (i) The gridding procedure will be in accordance with the State Regulations and the Supplementary Regulations for the Meeting.
 - (ii) Unless otherwise specified in State Regulations, the gridding procedure will be based on the times achieved in qualifying with the fastest on grid one and so on.
 - (iii) Unless otherwise specified in State Regulations, Reverse Grid Races will not be permitted.
- l) Races
 - (i) Unless otherwise specified in the State Regulations and Supplementary Regulations for a Meeting, each Group will generally have three (3) Heat Races at a Meeting. The duration of each Heat Race will be expressed by a number of laps.
 - (ii) Unless otherwise specified in the Supplementary Regulations for a Meeting, each Group will generally have one (1) final Race at a Meeting. The duration of the final Race will be longer than the Heat Races and will be expressed by a number of laps.
- m) Finishing
 - (i) Unless otherwise specified in State Regulations or the Supplementary Regulations the finishing order of the final Race determines the winning positions in each Group.

8 Teams Competition

- a) Governing Principles
 - (i) The overriding principle of the Teams Competition is to conduct a Race (if included in a normal Club Race Meeting) just for fun and generally at the end of the individual Events.
 - (ii) Teams Competition is:
 - 1) A Race or Races conducted on a Circuit with a sealed surface in which the winner is declared after a set distance expressed as a number of laps (usually with a duration of not less than thirty (30) minutes) involving multiple Drivers who are entered as a Team and for which there is a compulsory Driver change or changes to ensure that all Drivers are able to drive for a minimum time or number of laps as prescribed in Supplementary regulations; or
 - 2) Multiple individual Races by Drivers from multiple Classes, in which the winner is declared based on either:
 - a. the accumulated times of each Driver in the Team; or
 - b. the points accumulated by each Driver in the Team from the results of each Race; or
 - c. The finishing position of each Driver in the last Race in the Teams Competition in the nominated sections of a Meeting.
- b) General
 - (i) A Teams Competition may be conducted by an Organiser with the approval of the SKA and/or KA.

- (ii) Unless otherwise approved by KA, a Teams Competition must be conducted in accordance with:
 - 1) the Rules generally; and
 - 2) the provisions of this Rule 8; and
 - 3) State Regulations; and
 - 4) The Teams Competition Guidelines in Appendix 2; and
 - 5) Any other conditions as imposed by an SKA and/or KA; and
 - 6) The Supplementary Regulations for that Meeting.
 - (iii) A Circuit being used for a Club Meeting must be approved by the SKA.
 - (iv) A Teams Competition may form part of a regular Club Competition or be a stand-alone Teams Competition Meeting.
- c) Eligible Classes
- (i) Only Classes listed in the Rules including the relevant State Regulations may Compete in a Teams Competition.
 - 1) The specific Classes permitted to Compete in Teams Competition at a Meeting will be listed in the Supplementary Regulations.
 - 2) Unless otherwise specified in the Supplementary Regulations, the minimum weight for the Kart and Driver specified in the applicable Class Rules will apply.
- d) Number of Drivers and Driving Time Limits
- (i) As specified in the Supplementary Regulations for the Meeting.
- e) Practice
- (i) Practice may take place at a Meeting at the discretion of the Organiser.
 - (ii) A Practice session which is a part of the Meeting must be included in the Supplementary Regulations for the Meeting.
- f) Qualifying
- (i) Qualifying may take place at a Meeting at the discretion of the Organiser.
 - (ii) The duration and format of the qualifying session will be stipulated in the Supplementary Regulations for the Meeting.
- g) Grid Procedure
- (i) As specified in the Supplementary Regulations for the Meeting.
- h) Race
- (i) The number of Races and the duration of each Race will be specified in the Supplementary Regulations for the Meeting.
 - (ii) Unless otherwise specified in the Supplementary Regulations for the Meeting, the Start Procedure for each Race will be in accordance with Competition Rules Chapter 1 Rule 22.
- i) Finishing
- (i) Unless otherwise specified in the Supplementary Regulations for the Meeting, will be in accordance with the provisions of Competition Rules, Chapter 1 Rule 26.

*birel*ART

WELCOMING THE ALL NEW

S14

RICCIARDO
KART

EF Kart



Australian K2
champions
'19, '20, '21



World K2
champions
'19



European K2
champions
'20, '21



WSK Euro series
K2 champions
'21



WSK open cup
K2 champions
'21



Join the BirelART Family at patrizicorse.com

KARTINGONLINE 

patriziacorse.com
KARTINGONLINE 

**KARTING'S
BEST BRANDS,
DIRECT TO
YOUR DOOR!**

RICCIARDO
KART

birelART

LECONT 

VORTEX
ENGINES 

 **alpinestars**

VROOM
LUBRICANTS 

D.I.D

BRISK 

PRISMA
ELECTRONICS

NEK
RACING

PWR
ADVANCED COOLING TECHNOLOGY

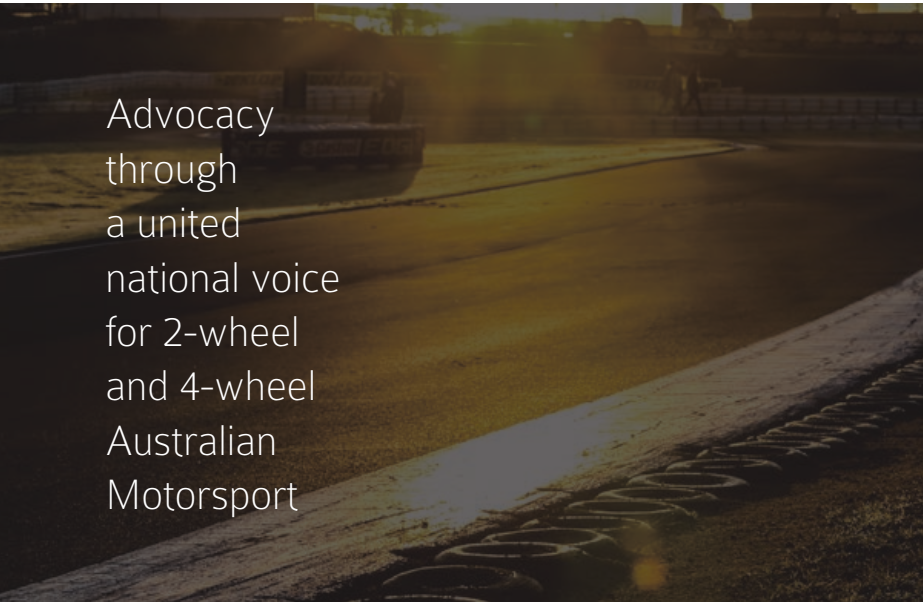
BELL
HELMETS

CATEL

SPX
parts

HiTi

TORINI 

A background image of a racing track with a wooden curb and a row of tires.

Advocacy
through
a united
national voice
for 2-wheel
and 4-wheel
Australian
Motorsport

The purpose of the Australian Motorsport Council is to provide a credible united voice and effective advocacy for Australian motorsport.





TOMWILLIAMSONMOTORSPORT.COM.AU



WPK
WELL POWER KART



ALL PROUDLY IMPORTED BY
TOM WILLIAMSON MOTORSPORT

Phone
0402 686 453

TOMWILLIAMSONMOTORSPORT@OUTLOOK.COM



Technical Rules



Australian Kart Formula

1 Preamble

- a) The Australian Kart Formula applies to all Karts using any KA Licenced facility at all times.
 - (i) The individual Class definitions form part of the Australian Kart Formula.
 - (ii) Unless in these Rules and/or the Homologation / Technical Specifications documents it says that you can do something, then you cannot.

2 Responsibility for Safety

- a) Each Competitor is responsible for all safety aspects of that Drivers Kart and Driver at all times.

3 Parity

- a) KA reserves the right to undertake Performance Parity adjustments.
 - (i) At short notice.
 - (ii) At any time.
 - (iii) Whenever KA, at their sole discretion, consider such adjustments are necessary.

4 Repairs

- a) Any repairs or replacements must respect the original and take full account of engineering integrity and safety.
- b) Where applicable must be approved by the Chief Scrutineer.

5 Ballast

- a) All Karts must run to a Minimum weight as defined in each Class definition unless otherwise approved by KA.
- b) The weight measured on the designated official scales at each Competition meeting shall be final with no recourse allowed.
- c) All Karts other than the 4SE Class the minimum weight must be completed with one or several units of ballast provided.
 - (i) Each unit is a strong and unitary block.
 - (ii) No single block must weigh more than 5kg.
 - (iii) Is fixed by means of tools.
 - (iv) Must be attached only to the Frame or the Seat with minimum Class 8.8 bolts and lock nuts.
 - (v) These bolts must be minimum 8mm diameter.
 - (vi) A Maximum of two (2) threads of the bolt may protrude past the lock nut once fixed.
 - (vii) For single ballast blocks greater than 4kg or more two (2) fixing points are required.
- d) All Karts in the 4SE Class, the minimum weight must be completed with one or several units of ballast provided:
 - (i) Each unit is a strong and unitary block.
 - (ii) No single block must weigh more than 5kg.
 - (iii) A Ballast Canister is permitted and if fitted must be attached only to the Frame or the Seat with minimum Class 8.8 bolts and lock nuts.
 - (iv) These bolts must be minimum 8mm diameter.
 - (v) A Maximum of two (2) threads of the bolt may protrude past the lock nut once fixed.
 - (vi) A Ballast Canister must have four (4) fixing points.

6 Materials

- a) Metallic Materials
 - (i) Herein shall mean either steel or aluminium only.

- b) Ballast Materials
 - (i) For the purpose of achieving minimum Kart weights only the following materials are permitted.
 - 1) Lead
 - 2) Steel
 - 3) Aluminium
- c) Composite Materials
 - (i) Herein a Composite Material is defined as a material consisting of a resin and fibrous material, taking the form of a chopped strand mat, cured to form a rigid shape.
 - (ii) Unless specifically allowed for in an individual Homologation, only the following components may be constructed of a composite material.
 - 1) Seat
 - 2) Nassau panel
 - 3) Side Pods
 - 4) Floor Tray
 - 5) Brake Pads
 - 6) Camera Mount
 - (iii) Unless specifically allowed for in an individual Homologation, only the following components may be constructed specifically of a Carbon Fibre composite material.
 - 1) Seat
 - 2) Nassau panel
 - 3) Floor Tray
- d) Plastic Materials
 - (i) Any plastic, and/or plastic component must be Splinter and Shatter proof
 - (ii) The following components may be constructed of a plastic material.
 - 1) Nassau panel
 - 2) Side Pods
 - 3) Rear Impact Protection
 - (iii) The following components must be constructed of a flexible plastic material with radiused corners:
 - 1) Front Fairing
 - 2) Number plates
 - 3) Chassis Skid Plates
- e) Ceramic Materials
 - (i) No rotating ceramic parts are permitted.
 - (ii) No ceramic bearings, be they full or hybrid, are permitted.
- f) Exotic Materials
 - (i) The following materials are considered exotic by KA and are not permitted.
 - 1) Unless specifically allowed within these Rules.
 - 2) Unless part of a specific homologation.
 - 3) KA reserves the right to amend this list without notice.
 - (ii) Titanium or any of its alloys.
 - (iii) Metal Matrix Composite Materials.
 - (iv) Inter-metallic materials.
 - (v) Iridium alloys (excluding spark plug electrodes).
 - (vi) Rhenium alloys.
 - (vii) Alloys containing more than 5% Beryllium.
 - (viii) Tungsten.

- (ix) Uranium.
- (x) Cadmium.
- (xi) Asbestos.

7 **Specific Non-Permitted Items**

- a) Suspension Component
 - (i) Apart from the steering system, any device, system or item which provides relative movement between a wheel and the Kart frame is not permitted.
- b) **Dynamic Steering**
 - (i) Any device, surface or item which is deemed to be for the purpose of providing dynamic or adjustable geometry of the steering system while the Kart is in motion is not permitted.
- c) Rear Wheel Steering
 - (i) Any device, system or item which is deemed as providing a rear wheel steering affect is not permitted.
- d) Front Wheel Drive
 - (i) Any device, system or item which provides forward tractive effort to the one or both front wheels is not permitted.
- e) Communication and Telemetry
 - (i) Unless otherwise approved by KA or specifically allowed by an individual Class definition and with the exception of official timing equipment and listen only Race control radio, any device, system or item which provides either voice or data transmission to or from the Kart and/or Driver at any time is not permitted.
- f) Chain Oilers
 - (i) Unless specifically allowed by an individual Class definition, any device, system or item which provides a chain oiling function whilst the Kart is on Track is not permitted.
- g) Mirrors
 - (i) Any device, surface or item which is deemed for the purpose of providing rearward vision is not permitted.
- h) Hazardous item
 - (i) Any appendage, protrusion, surface, extension, device or item which is deemed hazardous to other Karts is not permitted.

8 **Chassis**

- a) Frame
 - (i) The Chassis must consist of a single frame constructed entirely from steel.
 - (ii) Must not extend sideways beyond the outside wall of any tyre.
 - (iii) The following items must be mounted with appropriately sized fixings directly to the frame.
 - 1) Engine
 - 2) Seat
 - 3) Steering
 - 4) Pedals
 - 5) Front and Rear Axles
 - 6) Bodywork
 - (iv) It is permitted to replace a Frame which suffers damage during a Meeting provided:
 - 1) The damaged Frame has been inspected, and deemed by the Chief Scrutineer to be:
 - a. Unsafe.
 - b. And beyond repair in the time available before the Competitors next session.
 - 2) Before continuing Competition the Kart with the replacement Frame is successfully Scrutineered.
 - 3) The Competitor with the replacement Frame starts their next session at the rear of the grid.

- b) Seat
- (i) Must be fitted at all times.
 - (ii) Must be located such that the Drivers hips are in front of the rear axle.
 - (iii) Must be located between each rear wheel.
 - (iv) Must minimise lateral and rearward movement of the driver.
 - (v) Must be constructed in such a manner to safely cope with all applied loads under all conditions.
 - (vi) Must have a plate placed on either side between the seat and the frame mounting points.
 - 1) The plate must:
 - a. be steel or aluminium.
 - b. be at least 1.0mm thick.
 - c. have a single central hole for the mounting bolt to pass through.
 - d. be at least 35.0mm diameter.
 - (vii) May only have the following items mounted attached to it.
 - 1) Ballast
 - 2) Batteries
 - 3) Overflow Bottle
 - 4) Seat Stay(s)
 - 5) The mounting of these items must not compromise the structural integrity of the seat.
 - (viii) It is recommended that a karting high seat compliant with FIA standard 8873-2018 be used by Cadet aged Drivers.
- c) Wheels and Axles
- (i) Wheels
 - 1) The total number of wheels must be four (4).
 - 2) The total number of tyres must be four (4).
 - 3) The rear wheels are the two (2) wheels which must be positioned behind the engine at the rear of the Kart.
 - 4) Front wheels shall be mounted either via:
 - a. Stub Axles as follows:
 - 1. Shall revolve on ball or roller type bearings on each front stub axle.
 - 2. Be retained on each front stub axle by a self-locking nut.
 - b. Wheels Hubs as follows:
 - 1. Shall revolve on ball or roller type bearings on each front stub axle.
 - 2. By bolts or studs with nuts which must be a Minimum of Grade 8.8.
 - 3. Be retained on each front stub axle by a self-locking nut.
 - 5) Rear wheels shall
 - a. Be driven directly by a single axle shaft via a wheel hub.
 - b. Be secured to the wheel hub by bolts or studs with nuts.
 - The bolts, studs and nuts must be a minimum of Grade 8.8
 - 6) Where specifically mandated by an individual Class definition, Wheels must incorporate tyre bead retention on the outer rim when Dry Tyres are fitted.
 - a. This tyre bead retention must be achieved by the use of at least three (3) screws of at least M4 size, threaded through the outer wheel rim immediately behind the tyre bead.
 - b. The angular separation between each screw must be no more than 120deg.
 - c. The thread of the screws must protrude inside the wheel rim by at least 3.0mm.
 - d. The thread/screw must be sealed to the wheel rim to provide an airtight fitment under all conditions.

- (ii) Axles
- 1) Must not protrude beyond the outer edge of any tyre.
 - 2) Each front stub axle must pivot about a single point on the frame.
 - 3) Unless specifically allowed by an individual Class, the rear axle must be steel.
 - a. The external diameter must be between 25.0mm and 30.0mm.
 - b. May be a tube, if so the external diameter may exceed 30.0mm.
 - c. If tubular must conform to one of the following sizes.
 - OD 50.0mm / Maximum ID 46.25mm
 - OD 40.0mm / Maximum ID 36.25mm
 - OD 35.0mm / Maximum ID 29.0mm
 - OD 30.0mm / Maximum ID 24.0mm
 - 4) Where specifically allowed by an individual Class, the rear axle may be aluminium.
 - a. Must have an external diameter of 40.0mm.
 - b. Must have a wall thickness of at least 4.85mm – except under a keyway.
 - c. Must have a maximum internal taper of 25.0mm from each end of the axle shaft.
 - 5) The wheel hub is to be keyed as well as clamped to the rear axle
 - a. Where axle keys are not the same length as the keyway, or there is a risk that the key may become dislodged, a hose clamp or other positive method of key retention is required.
- d) Maximum Dimensions
- (i) With the Kart placed on a flat surface and the tyres inflated to the manufacturers recommended minimum inflation pressure, the entire Kart must fit within a right angled box of the following dimensions.
 - (ii) Length
 - 1) 2250mm
 - (iii) Width
 - 1) 1400mm
 - (iv) Height
 - 1) 710mm from the ground
 - (v) For the purposes of clarity, with a driver seated normally in the Kart, the length dimension is in the direction of the driver's legs.
- e) Wheelbase
- (i) The wheelbase is defined as the dimension between the centre of either the left hand side front and rear wheels, or the right hand side front and rear wheels, with the steering set to straight ahead.
 - (ii) Unless specifically defined by an individual Class definition, the wheelbase must be between 1000mm and 1270mm
- f) Track Width
- (i) The track width is defined as the dimension between the centres of each pair of front and/or rear tyres.
 - (ii) Unless specifically defined by an individual Class definition, the front and/or rear track width must be no less than two thirds (66.6%) of the wheelbase measurement taken at the same time.
- g) Bodywork
- (i) Only the following bodywork or aerodynamic aids are permitted
 - 1) Front Fairing (Nose Cone)
 - 2) Side Pods
 - 3) Nassau Panel

- 4) Floor Tray
- 5) Rear Bumper Bars (Not permitted to be used during a Meeting)
- 6) CIK-FIA homologated rear impact protection
- 7) Skid Plates/Pads
- (ii) Front Fairing (Nose Cone)
 - 1) Must be fitted at all times.
 - 2) Must be attached to the Frame with the manufacturers supplied mounting system.
 - 3) No form of strengthening or additional support is permitted.
 - 4) Any repairs must be approved by the Chief Scrutineer.
 - 5) Must comply with the dimensions as illustrated in Appendix 1, Fig 1.
 - a. Must not protrude above the plane (A-A) through the top of the front and rear tyres, with the front tyres in a straight ahead position.
 - b. Must have no material (including the mounting system) lower than 25mm off the ground (B) with the tyres inflated to the manufacturers recommended minimum inflation pressure.
 - c. Must not overhang the front axle by more than 650mm (L)
 - d. Must be a minimum width of 500mm, and be no wider than the plane passing through the outer edge of the front tyres in their straight ahead position.
- (iii) Front Fairing – National Championship, National Series, National Cup, State Championship, State Series, State Cup and State Trophy Meetings.
 - 1) The fitment conditions contained below are:
 - a. Mandatory for National Championship and National Series Meetings; and
 - b. Optional for National Cup, State Championship, State Series Meetings, State Cup and State Trophy.
 - If used, must be included in the Supplementary Regulations; and
 - **If used at a multi-round State Championship or Series, it must be used at all Meetings which are a part of the State Championship or Series.**
 - 2) The following conditions apply to the fitment of the Front Fairing (Nose Cone)
 - a. The use of the CIK-FIA homologated front fairing mounting kit (the "Mounting Kit") of the bodywork homologation period 2015 – 2021 is mandatory.
 - b. From the commencement of the first Heat until the conclusion of the Final, each Driver must enter the Out Grid area with the front fairing detached from their Kart.
 - c. The Pit Crew member or the Driver themselves must mount the front fairing in the Out Grid area under the supervision of a Scrutineer or an appointed Official.
 - 3) Front Fairing correct installation
 - a. From the commencement of the first Heat onwards, the front fairing (using the Mounting Kit) must be in the correct position at all times during a Competition (see Appendix 1, Figure 8) It must not be modified or have been subjected to mechanical or chemical treatment (other than normal cleaning) in any way.
 - b. If the Judge of Fact reports that the front fairing on one or more karts was no longer in the correct position when the "black and white chequered flag" was displayed and the Kart(s) concerned crossed the finish line, in all situations a penalty will be imposed automatically on the driver(s) concerned.
 - c. This penalty is not susceptible to protest or appeal.
 - d. Should a Driver be found/proved to have intentionally replaced or attempted to replace a front fairing which is not installed correctly during the Race or after the "black and white chequered flag" was displayed they will be Disqualified from the Meeting.
- (iv) Side Pods
 - 1) Must be fitted at all times.

- 2) Must not cover any part of the Driver when seated normally in the Kart.
- 3) Must be separate from the Floor Tray.
- 4) Must not have any part of the Frame, or Side Pod mounting bars on the outside of its widest surface.
- 5) When viewed from underneath, must allow the Frame to remain fully visible.
- 6) Must consist of a minimum of two (2) side faces, a top and a bottom.
 - a. The outer side face must:
 - Be vertical with a tolerance of +/-5deg
 - Be uniform and smooth
 - Not have any cutouts or holes other than Holes of
 1. maximum diameter 8mm for the sole purpose of mounting bolts; and/or
 2. a passage for an external starter shaft
 - Apart from official timing equipment or permitted stickers, not have any additional materials, panels or items attached.
 - b. The outer side face may have:
 - A groove along its length no larger than 30mm by 30mm
 - A passage for an external starter shaft
 - Holes of maximum diameter 8mm for the sole purpose of mounting bolts
 - M8 Button Head or smaller shaped protrusions.
- 7) Must comply with the dimensions as illustrated in Appendix 1, Fig 1
 - a. Must not protrude outside the plane (E-E) passing through the outer edge of the rear tyres. This Rule does not apply when Wet Weather Tyres are fitted.
 - b. Must not protrude above the plane (A-A) through the top of the front and rear tyres, with the front tyres in a straight ahead position.
 - c. Must have no material (including the mounting system) lower than 25mm off the ground (B) with the tyres inflated to the manufacturers recommended minimum inflation pressure.
 - d. The entire top surface must be at least 100mm off the ground (H) with the tyres inflated to the manufacturers recommended minimum inflation pressure
 - e. Must be at least 50mm wide (G) along its entire length.
 - f. Must form a gap to the rear tyre which is no greater than 80mm (D) measured at the wheel centre height.
 - g. Measured along the line between the front and rear wheel centres, must be at least 70% of the distance between the front and rear tyres, with the tyres inflated to the manufacturers recommended minimum inflation pressure.
 - h. Must have all edges and corners radiused to a minimum of 5mm.
- 8) Must be attached to Side Pod mounting bars at a minimum of two (2) locations.
- 9) The Side Pod mounting bars
 - a. Must be less than 30mm diameter.
 - b. Must have open ends radiused.
 - c. Must not be drilled for lightness.
 - d. Must be pinned or bolted to the Frame at each end of the bar.
 - e. A Chassis using springs as the primary mounting method must have a multi-strand wire tether through the existing spring mounts.
- (v) Nassau Panel
 - 1) Must be fitted at all times.
 - 2) Must not restrict the driver.
 - a. When seated normally in the Kart; and

- b. When entering or exiting the normal seated position in the Kart; and
- c. Vision in any way.
- 3) Must not be higher than the dimensions detailed in Appendix 1, Fig 1
- 4) Must be no wider than:
 - a. 300mm for Competitions on bitumen Tracks.
 - b. 500mm for Competitions on dirt Tracks.
- 5) Must be fitted in accordance with the Homologation and/or Chassis Manufacturers specifications.
- 6) Must maintain the legibility of Competition numbers.
- 7) Must be attached and securely fastened with either bolts or a split pin.
- (vi) Floor Tray
 - 1) Must be fitted at all times.
 - 2) Must be a continuous, uniform, non-perforated rigid sheet.
 - 3) Must not extend beyond the inside of the Frame rails.
 - 4) Must not allow any void large enough for any part of a drivers body to pass through.
 - 5) Must be constructed of either:
 - a. Steel with a minimum thickness of 0.5mm.
 - b. Aluminium with a minimum thickness of 1.2mm.
 - c. Fibreglass with a minimum thickness of 2.0mm.
 - d. Carbon Fibre with a minimum thickness of 1.2mm.
 - 6) Must be secured with nyloc nuts
 - a. No more than two (2) threads of the bolt are permitted to extend past the nyloc nut.
- (vii) Rear Bumper Bars
 - 1) Are not permitted to be used during a Meeting excluding the Speedway Class and any Kart fitted with two (2) engines. Must be used at all times during a Speedway Class Meeting and on any Kart fitted with two (2) engines.
 - 2) Must be bolted or clamped at all fixing points.
 - 3) Must not protrude outside the plane (E-E) (Appendix 1, Fig 1) passing through the outer edge of the rear tyres.
 - 4) Must not have any blunt or sharp edges.
 - 5) Must not incorporate metal tubes greater than 20.0mm diameter.
 - 6) Must not have any part or item including the mounting drilled for lightness.
 - 7) May incorporate safety rollers which,
 - a. Must be no larger than 50.0mm diameter.
 - b. Must meet the requirements of Rule 3) above.
- (viii) Rear Impact Protection
 - 1) Must be fitted at all times during a Meeting excluding the Speedway Class and any Kart fitted with two (2) engines.
 - 2) Must be a CIK-FIA Homologated rear impact protection device, or a rear impact protection device which is homologated by an ASN affiliated with the CIK-FIA in place of a CIK-FIA Homologated device. The rear impact protection must comply with the provisions of the CIK-FIA Technical Regulations.
 - 3) The surface of the rear impact protection must be uniform and smooth; the rear protection must not comprise holes or cuttings other than those necessary for its attachment and/or present at the homologation.
 - 4) Must be fitted in accordance with the manufacturers' specifications.
 - a. The unit must be attached to the frame in at least two (2) points by supports homologated with the protection and made of plastic, steel or aluminium (possibly by a supple system) on the 2 main tubes of the chassis.

- 5) It is not permitted to modify the chassis to fit the rear protection (chassis modification only allowed by the Manufacturer of the chassis, in the respect of the Homologation Form and of possible Extensions).
 - 6) Must not protrude outside the plane (E-E) (Appendix 1, Fig 1) passing through the outer edge of the rear tyres.
 - 7) The gap between the front of the rear impact protection and the rear wheels surface: 15 mm Minimum, 150 mm Maximum.
 - 8) Must at all times provide rear impact protection to the satisfaction of the Chief Scrutineer.
 - 9) It is recommended that a secondary restraint is used in securing the rear impact protection.
- (ix) Skid Plates/Pads
- 1) May be fitted.
 - 2) Must not provide any aerodynamic benefit.
 - 3) Must not pass under the brake disc or drive chain/belt.
 - 4) Must have no part of their mounting system lower than they are.
- h) Controls
- (i) Steering
- 1) The steering system must be operated by the drivers hands and consist only of the following items.
 - a. Steering Wheel.
 - b. Steering Wheel Hub.
 - c. Steering Shaft.
 - d. Steering Arms.
 - 2) Steering Wheel
 - a. The steering wheel is defined as the Steering control device directly held in the drivers hands.
 - b. Handlebar type steering wheels are not permitted.
 - c. Must have a continuous outer rim.
 - d. Must allow a drivers hands to fully grip the rim.
 - e. May take any shape judged as reasonable by the Chief Scrutineer.
 - f. Must connect to the Steering Wheel Hub using the manufacturers fitment requirements.
 - 3) Steering Wheel Hub
 - a. Connection of the Steering Wheel to the Steering Shaft occurs via the Steering Wheel Hub.
 - b. Unless expressly permitted under a specific homologation must be metallic.
 - c. Must be secured to the Steering Shaft with at least a Grade 8.8 bolt of at least 6.0mm diameter with an appropriate self-locking nut.
 - The bolt must be fitted through the Hub 'top to bottom'.
 - d. May be welded directly to the Steering Shaft.
 - In this instance the minimum securing bolt requirement does not apply.
 - 4) Steering Shaft
 - a. The Steering Shaft must rotate on its axis converting the driver control input into Steering Arm movement.
 - b. Must be metallic.
 - c. Must have a diameter of at least 16.0mm.

- d. May be tubular.
 - If tubular must be steel.
 - Of at least 18.0mm diameter.
 - And at least 1.5mm wall thickness.
 - e. May have a cross drilled hole for the purposes of attaching the Steering Wheel Hub
 - f. Must be connected to the frame with suitably sized bushes or bearings.
 - g. Must include a secondary safety feature to prevent detachment from the frame.
 - A collar or retaining device securely fitted within 5mm of the lower edge of the upper steering shaft bush is deemed to comply with this Rule.
- 5) Steering Arms
- a. Connection of the Steering Shaft to the Front Stub Axles is achieved via the Steering Arms.
 - b. Must be metallic.
 - c. If constructed of steel.
 - Must have a diameter of at least 8.0mm.
 - Unless tubular, in which case:
 1. The OD must be at least 10.0mm.
 2. The wall thickness must be at least 2.0mm.
 - d. If constructed of aluminium.
 - Must have a diameter of at least 10.0mm.
 - Unless tubular, in which case.
 1. The OD must be at least 12.0mm.
 2. The wall thickness must be at least 2.6mm.
 - e. King Pins and Rod Ends.
 - Must utilise bolts of at least 8.0mm diameter.
 - These bolts must be at least Grade 8.8 with an appropriate self-locking nut.
 - Rod ends must have at least 8.0mm of engaged thread of the steering arm.
 - Rod ends of the following type are not permitted.
 1. Peg.
 2. Plastic/Nylon.
 3. Pressed Metal.
- (ii) Brakes
- 1) Must be fitted and operational at all times.
 - 2) Must be Disc Brake in operation.
 - 3) Must be either hydraulic or mechanically operated.
 - a. CIK-FIA homologated brake systems/components are permitted.
 - b. Duracan brake components are not permitted.
 - 4) Unless specifically allowed by an individual Class definition, must act simultaneously on the rear wheels only.
 - 5) Must be operated by the driver's foot unless otherwise approved by KA
 - a. Where specifically allowed, front brakes must be operated by either the driver's foot or hand.
 - b. At all times, a foot brake pedal must remain wholly within the limits of the Frame, which in this instance may include a front crash bar.
 - 6) Where the individual Class definition allows two (2) engines, if no front brakes are fitted then dual rear brake systems must be fitted and be operational otherwise a single rear brake system is permitted in combination with operational front brakes. This Rule does not apply to the Endurance Class.

- 7) Must use at least Grade 8.8 bolts, studs and nuts exclusively.
 - a. All fasteners must be safety wired or fitted with self-locking nuts.
 - b. Hollow pins must be safety wired or pinned.
- 8) Brake Pads.
 - a. Brake pad retaining bolts must be fitted with a sleeve.
 - Shoulder type bolts are not permitted.
 - b. Where brake pads are retained by bolts only.
 - The bolts must either be:
 1. Drilled and safety wired, or
 2. Have a locking collar with grub screw fitted to the bolts to hold the pads in place should the nut become dislodged.
 3. Use a split pin which must be.
 - o At least 3.0mm diameter; and
 - o in manufactured condition.

- 9) Brake Actuation.
 - a. Hydraulic Hose.
 - Must use metallic fittings.
 - b. Cable.
 - Must be a multi-strand steel wire of at least 2.25mm diameter.
 - Must be fastened by a machine swagged fitting; or
 - By a mechanically positive method which cannot cut or fray the wire.
 1. Electrical type connectors used for this purpose are not permitted.
 - c. Rod.
 - Must be steel.
 - Must be solid.
 - Must have a diameter of at least 6.0mm with cut threaded ends.
 - Must have a diameter of at least 5.0mm with rolled threaded ends.
 - May include an aluminium joiner with a Minimum diameter of 9.0mm.
 - d. Redundancy.
 - Whatever form the brake actuation takes, a secondary safety wire between the pedal and the Master Cylinder must be fitted.
 - This secondary safety wire must allow emergency brake actuation in case of failure of the primary actuation method.

(iii) Throttle

- 1) Must be operated by the driver's foot unless otherwise approved by KA.
- 2) At all times, a foot throttle pedal must remain wholly within the limits of the Frame, which in this instance may include a front crash bar.
- 3) Must incorporate a spring mechanism which immediately returns the throttle pedal to its non-actuated (idle) position when pedal pressure is removed.

i) Electrical

(i) Official Timing Transponder

- 1) The MYLAPS transponder must be fitted at all times during Competition.
- 2) The MYLAPS transponder must be mounted;
 - a. In an appropriate bracket on the front fairing vertical clamp.
 - b. Vertically.
 - c. Less than 300mm above the ground.

- (ii) Starter and Ignition Batteries
- 1) When fitted must be attached to the Frame or Seat either:
 - a. In accordance with the relevant Homologation; or
 - b. Securely fastened using a fit for purpose fastening that does not contain any sharp edges and is not mounted under the Frame. The fastening must be to the satisfaction of the Chief Scrutineer.
 - 2) Must be of one of the following types.
 - a. Dry Cell.
 - b. Gel.
 - c. Valve regulated sealed lead acid.
 - d. Lithium ion.
 - e. Lithium polymer.
- (iii) Dash Displays and Data Logging equipment
- 1) Unless specifically restricted by an individual Class definition, **and/or homologation documents**, Electronic Dash Displays are permitted.
 - 2) Unless specifically restricted by an individual Class definition, Electronic Data Logging equipment is permitted.
 - 2) This system, with or without memory, may permit only the reading of the following additional sensors:
 - the engine rpm
 - a maximum of two indications of either temperature or gas directly associated with the engine
 - the speed of one wheel
 - an X/Y/Z accelerometer
 - GPS data, and
 - lap times.
 - 3) A single exhaust ~~temperature probe or a single O₂ sensor~~ **probe** may be fitted.
 - a. The Maximum diameter of the probe must be 16mm.
 - b. The Maximum length of the probe must be 25mm.
 - c. If used in the following engines, it must be fitted to the Exhaust header pipe:
 - KT100J
 - KT100S
 - Fireball
 - Cheetah
 - d. If used in the following engines, it must be fitted to the Muffler between the converging and diverging cones:
 - PRD Galaxy
- (iv) Video Recording Systems
- 1) The fitting of video recording equipment to a Kart is permitted.
 - 2) A maximum of four (4) video recording systems are permitted.
 - 3) If a video recording system is fitted, one (1) unit must record vision in a forward direction only and must be mounted on the Nassau Panel in accordance with these Rules.
 - a. It must consist of either;
 - A self-contained (Go-Pro style) camera unit with a maximum 180 degree lens; or
 - A camera with a maximum 180 degree lens with a separate recorder unit
 - b. It must not have any optical flashing function.
 - 4) All parts of the system must be securely mounted and:
 - a. Must not impede the Driver during entry, exit or whilst driving.

- b. Must not pose a hazard.
- c. Must not interfere with any part of the Control Systems.
- d. Must not obstruct or interfere with any competition numbers or official timing equipment.
- e. Must not be mounted in front of the pedals other than on the Nassau Panel.
- f. If a video recording system is fitted, one (1) video recording system must be mounted a Minimum of 400mm and a Maximum of 450mm from the top and on the front face of the Nassau Panel. The lens must be forward of the front face of the Nassau Panel.
- g. Each video recording system must have a multi-strand tether securely attached to the Camera system and the Frame and/or bodywork and/or support brackets attached to the Kart.
 - h. It is forbidden for a Driver to wear, or have fitted to their protective apparel, any components of a video recording system.
- 5) Must weigh less than:
 - a. 0.3kg including all mounts and tether if using a self-contained camera unit; or
 - b. 0.3kg for the camera including all integrated cabling and less than 1.0kg for the complete recorder unit including any cabling, batteries and other ancillary components.
- 6) It will be mandatory for each Kart competing in the following Meetings to have a video recording system that is mounted in accordance with these Rules and be fully operational at all times while the Kart is on the Track:
 - a. National Championship.
 - b. National Series.
 - c. National Cup.
- 7) It is recommended to have a video recording system that is mounted and operating in accordance with these Rules for all other Meetings.
- 8) All cameras and the recording media are to be made available to the Race Director, Clerk of the Course or the Stewards should they require them for use in any judicial matter.
- 9) A Licence Holder must ensure that their camera/s are labelled with their KA Licence Number.

9 Engines

- a) Engines must be internal combustion, reciprocating piston engines only, working on either the two (2) or four (4) stroke principle.
- b) Engines must be Homologated and/or Approved by KA and must at all times comply with the Engine Homologation and/or the Approval Document.
 - (i) In the event of any conflict between the Engine Homologation/Approval Document and these Rules, the Engine Homologation/Approval Document shall prevail.
 - (ii) An Engine for which the Homologation has expired, may at the discretion of KA continue to be Approved for use in Competition and Karting Activity despite the lapsing of the Homologation.
 - 1) Such Engine must comply with the Homologation documents in effect at the time of expiration of such Homologation unless the engine or a component or components of the Engine undergoes an evolutionary change that is conducted in accordance with By-law B10 – Homologation Procedures which may serve to reactivate the Homologation of the Engine.
- c) Unless specifically allowed by an individual Class definition any internal or external modifications to an Engine is not permitted.
- d) Any accidental engine damage, either internal or external is not considered a modification if it is judged by the Chief Scrutineer to not offer a performance gain.

- (i) Timed port edge damage must pass either the Piston Travel Gauge test or comply with the Port Opening angles in the relevant Homologation.
- e) Number of Engines
 - (i) The maximum number of Engines permitted for use on a Kart at a Meeting is limited.
 - 1) These limits are specified in the individual Class definitions.
 - (ii) At National level Events an engine cannot be used by more than one (1) Driver or in more than one (1) Class.
- f) Starting Systems
 - (i) Engines homologated with attached starting systems must have the starting system attached at all times.
 - 1) If the attached starting system fails, the engine may be started using an external starting system.
 - (ii) Starting systems may be manual pull type or electrical.
 - (iii) All other aspects related to Starting Systems are deemed Non-Technical.
- g) Transmissions
 - (i) The transfer of power from the engine to the rear axle must be accomplished by either a single chain or belt drive.
 - 1) With the exception of those classes in which it is specifically allowed, any device, system or item which provides more than one (1) speed ratio between the engine and the rear axle is not permitted.
 - (ii) Clutches
 - 1) Where specifically allowed by an individual Class definition the fitment of a clutch is optional.
 - a. When fitted with a clutch a Kart must have an ignition kill switch.
 - When activated the ignition kill switch must immediately bring the engine to a complete stop.
 - 2) Must be of the dry centrifugal type.
 - 3) Must be KA homologated.
 - a. No modifications are permitted.
 - 4) Must have a guard or retention device fitted.
 - a. For the purpose of preventing the clutch mechanism from leaving the Kart in case of component failure.
 - b. Must be attached to the engine with at least two (2) Grade 8.8 bolts.
 - c. The clutch guard or retention device may be modified to allow the fitment of a chain guard.
 - 5) Must pass the Clutch Testing Procedure.
 - (iii) Guards
 - 1) Chain/Belt, Engine sprocket Guards.
 - a. Must be fitted at all times.
 - b. Must provide enough protection to prevent any part of the driver becoming trapped in the chain or belt.
 - c. May be a single guard performing the function of both the Chain/Belt and Engine sprocket guards.
 - 2) Unless otherwise specified in Class Rules, side plates or discs attached to the sprocket or carrier and are larger than the outside of the chain are not permitted.
 - 3) Rear sprockets, carriers and/or brake discs mounted to the rear axle not forming part of the active transmission or brake system are not permitted.

- (iv) Engine Sprocket
 - 1) A direct drive sprocket.
 - a. Complete, must weigh no more than 0.1kg.
 - b. Retaining nut must be no larger than 19.0mm 'Across Flats'.
 - 2) All other aspects related to the Engine Sprocket and Key are deemed Non-Technical.
- h) Cooling
 - (i) Cooling systems additional to, or instead of that specified in the engine homologation are not permitted.
 - (ii) Ducting of air to the engine is not permitted.
 - (iii) Liquid Cooling Systems.
 - 1) Radiators further forward than the steering wheel are not permitted.
 - 2) Glycol or soluble oil coolants are not permitted.
 - 3) If the cooling system is not sealed, a catch tank of at least 0.1L capacity must be included in the system.
 - a. The catch tank must be empty prior to the Kart entering the out grid.
- i) Fuel System
 - (i) Fuel Tank
 - 1) Must be securely mounted in front of the driver and between their legs.
 - 2) Must not impede the driver whilst entering or exiting, or operating the Kart.
 - 3) Must be made of a flame retardant, leak and shatter proof material.
 - 4) Must be mounted in a manner which minimises the chance of spillage.
 - 5) Must be fitted with a male fuel line connector, or accept the flexible fuel line.
 - 6) Must have an overflow tank of at least 0.1L connected at all times.
 - (ii) Fuel lines
 - 1) Must be safely routed and securely fixed to the satisfaction of the Chief Scrutineer.
 - 2) Must be securely fixed at all points.
 - a. Including the Fuel Tank, Overflow tank, frame, Filter, Carburettor.
 - 3) Must not pass under any part of the frame.
 - 4) May incorporate a fuel tap unless otherwise specified in the Engine Homologation Document.
 - 5) Must be made of a flame retardant material.
- j) Spark Plugs
 - (i) Unless specified in an Engine Homologation Document must have:
 - 1) No more than 20.0mm engagement length without the washer.
 - 2) No more than 12.7mm engagement length without the washer when used in the Comer SW80.
 - (ii) All other aspects related to Spark Plugs are deemed Non-Technical.
- k) Gaskets
 - (i) Unless specified in an Engine Homologation Document:
 - 1) Cylinder Head Gaskets must be retained.
 - 2) Cylinder Base Gaskets are dimensionally free.
 - 3) Carburettor base and phenolic spacer gaskets are dimensionally free.
 - 4) Crankcase half gaskets may be formed from liquid gasket compounds.
 - 5) Cylinder Base adjusting shims/spacers
 - a. May be of any material permitted within the rules.
 - b. Must be of uniform thickness.
 - (ii) All other aspects related to Gaskets are deemed Non-Technical.

- l) Carburettor
- Non-Homologated carburettors are not permitted.
 - All engine air must pass through the carburettor inlet throat.
 - Carburettor throttles must be fitted with two (2) idle return springs.
 - Adjustment of Carburettor Jet needles must be done by manually turning the Jet needle, or its extension, only.
 - A mechanical stop may be fitted to limit the range of Carburettor Jet needle adjustment.
 - Modification of the Carburettor for mounting of the stop is not permitted.
 - Carburettor throttle actuation must be by mechanical means only.
 - Yamaha KT100 J and Yamaha KT 100 S Engines must use a Walbro WB series carburettor.
 - Walbro WB 24 carburettors are not permitted.
 - The carburettor must conform to the dimensions shown in Appendix 1, Fig 3 at all times.
 - The venturi diameter (A) must remain as factory cast with a diameter no larger than 24.13mm.
 - The surface (B) must remain as factory cast.
 - The area of this surface extends from the front of the carburettor to the progression discharge jet which must have at least part of the jet in the as cast surface.
 - The downstream diameter (C) must be no larger than 25.7mm.
 - The butterfly shaft (D) must pass through the centre line of the bore.
 - The length of the carburettor body (E) must be at least 37.5mm.
 - The carburettor may be machined.
 - This machining is limited to:
 - Reducing the length of the body to no less than that allowed for dimension E.
 - Enlarging the downstream diameter to no more than that allowed for dimension C.
 - O Ring allowances for the low speed jet and the butterfly shaft.
 - The butterfly valve and its shaft must remain as supplied by the manufacturer.
 - The threaded butterfly screw must be retained.
 - Countersunk butterfly screws are not permitted.
 - Sleeving of the carburettor bore is not permitted.
 - The inlet seat and butterfly shaft bore may be repaired.
 - Existing fuel and air holes may be enlarged.
 - They must not be deleted or relocated.
 - When viewed externally these holes must be the same shape as the original holes.
 - Induction Noise Silencer adaptor
 - Must be fitted at all times.
 - Unless specifically defined by an individual Class definition, the Noise Induction Silencer adaptor must conform to the specifications as given in Appendix 1, Fig 4.
 - The centre hole must be at least 28.8mm diameter.
 - The overall length must be no greater than 25.0mm.
- m) Induction Noise Silencer
- Must be fitted at all times.
 - ~~Unless specifically allowed by an individual Class definition, must be the standard~~ The Homologated AKA43 induction noise silencer assembly **must be used for engines approved for use in the Yamaha Class.**
 - The AKA43 induction noise silencer assembly must comprise all and only the following Homologated components.
 - Airbox
 - Identified with 'AKA43' moulded in the top and 'AKA-KIAA' moulded into the flat side face.

- b. Black Rubber adaptor
 - For the purpose of sealing the airbox to the Carburettor's induction noise silencer adaptor and comprising the integral filter.
- c. AKA43 marked blue or yellow internal Filter.
 - Must be moulded directly to the rubber adaptor.
 - Must have no holes, tears or cuts.
 - The yellow filter must be used for Dirt Track or Speedway -oiling of the filter is permitted.
- d. A total of two (2) inlet tubes.
 - As Homologated.
 - No more than 23.0mm internal diameter.
 - No less than 95.0mm in length.
 - Arranged with their centrelines parallel, one behind the other.
- 2) All engine air must pass through the AKA43 inlet tubes and internal filter.
- 3) It is permitted to:
 - a. Fit an external filter.
 - b. Fit external air restrictors.
 - c. Fit any external item which prevents water from entering the inlet tubes.
 - d. Secure the inlet tubes to the airbox with adhesive.
 - e. Drill extra holes in the airbox's side flange for mounting purposes.
- 4) Internal or external adjustable induction systems are permitted.
- (iii) Where specifically allowed by an individual Class definition the following Induction Noise Silencers are permitted.
 - 1) Righetti Rodfii K560/22
 - a. An internal filter may be used, if so it must be the AKA43 item.
 - 2) Square style socorem of at least 94.5mm in length must be used with the X30 engine.
 - a. An internal filter may be used, if so it must be the genuine IAME filter.
- n) Exhaust System
 - (i) Must be fitted at all times.
 - (ii) Must be arranged to carry all exhaust gases away from and to the rear of the driver.
 - (iii) Must not have any item, including the mountings, or be arranged in such a manner, that it may be a hazard.
 - (iv) All engine exhaust gases must pass through the exhaust header pipe, the muffler and the Silencer, if required under the individual Class definition, exiting the system at the tail pipe open end.
 - (v) Must be non-adjustable during competition.
 - (vi) **Where permitted by Class Rules or Homologation documents**, may have a single fitting for the mounting of an exhaust **temperature sensor** probe.
 - (vii) Exhaust Header Pipe.
 - 1) Must be fitted at all times.
 - 2) Unless specifically allowed by an individual Class definition, must be the item homologated with the engine.
 - 3) Where specific freedom is allowed by an individual Class definition, must conform to the following criteria.
 - a. Must conform to the original type and shape of the original header pipe designated for that engine.
 - b. Must have parallel internal diameter.

- c. Must conform to the specifications as given in Appendix 1, Fig 5.
 - The length must be at least 120mm.
 - Must have an inside diameter greater than 34.0mm but less than 36.0mm.
 - May include stiffening of the flanges at each end.
 1. This stiffening may be no further than 20.0mm from each end of the pipe.
 2. Any stiffening must not prevent the fitment of exhaust seals.
- (viii) Muffler
- 1) Must be fitted at all times.
 - 2) Must ensure the Kart meets the allowable noise levels at all times.
 - 3) Must be securely fastened with two sets of springs;
 - a. One set which clamp the muffler to a mounting cradle on the frame.
 - b. The second set which clamp the muffler to the exhaust header pipe.
 - c. Heat proof wrapping may be used between the exhaust components and the mounting cradle and springs.
 - 4) Must have a safety device which prevents the exhaust system from becoming detached from the Kart.
 - a. This safety device must comprise a multi-strand wire.
 - b. One end of this wire must be tethered securely to the frame or the bearing hanger/carrier.
 - c. The other end must be secured through a fixing lug on the muffler.
 - The fixing lug may take the form of a hose clamp.
 - 5) Reed and Rotary valve engines may use any CIK-FIA homologated muffler.
 - 6) Control Mufflers – **Yamaha Class**
 - a. There are two (2) KA Control Mufflers
 - AKA14
 - AKA39
 - b. The use of these Control Mufflers is determined by individual Class definitions.
 - c. Must be manufactured by Powermac.
 - d. Must conform dimensionally to Appendix 1, Fig 6 and Table 1.
 - All non-specified dimensions form part of the technical specifications.
 - Any modification, or attempted modification, of any dimension is not permitted.
 - e. Any accidental damage to the control muffler, which does not affect the passing of exhaust gases through the control muffler, will not be considered a breach of these Rules.
 - f. A fixing lug for the purposes of the required multi-strand wired safety device, may be welded to the external surface of a control muffler body and end cap.
 - g. The flex end tube may be replaced or repaired.
 - Any replacement or repair must respect all the dimensions in Rule d. above.
 - h. End-Caps Identification
 - The following systems are permitted to be used in a Competition:
 1. A complete KA Control muffler assembly is identified by an alphanumerical stamp on the main body at the inlet end, and on the end-cap. (eg S00123456)
 2. A KA control muffler end-cap replacement is identified by an alphanumerical stamp beginning with R on the end-cap. (eg R123456)
 3. A pre-alphanumerical AKA14 control muffler assembly is identified by the AKA14 stamp on the main body of the muffler and the end-cap.
 - The following systems are not permitted to be used in a Competition:
 1. An AKA39 'R' end-cap fitted to an AKA14 'J' body is not permitted.
 2. An AKA14 'R' end-cap fitted to an AKA39 'S' body is not permitted.

- (ix) Exhaust Connecting Tube
 - 1) Exhaust spacers are permitted and must conform to the specifications outlined in this Rule (ix).
 - 2) For Classes mandating the use of a Control Muffler, the Exhaust Header Pipe and Control Muffler must be joined by an Exhaust Connecting Tube.
 - 3) This Connection:
 - a. May be either a rigid Pipe or Flexible Tube.
 - b. Must have a parallel bore through which the exhaust gases pass.
 - c. Must have a constant wall thickness.
 - d. Must have square, flat and functionally sealing end faces perpendicular to the centreline of the tube at each end.
 - e. Must have an ID of at least 36.0mm.
 - f. Must have an OD of no more than 46.5mm.
- (x) Exhaust Restrictor
 - 1) Where specified under an individual Class definition must be fitted at all times.
 - 2) Must be fitted between the cylinder and Exhaust Header Pipe.
 - 3) Must be no more than 2.1mm thick or be a Homologated component for the engine.
 - 4) All exhaust gases must pass through the internal hole of the restrictor plate.
 - a. The diameter of the internal hole is defined in the individual Class definitions.
 - b. All exhaust gases must exit the exhaust system at the tail pipe.
 - 5) Must have one (1) gasket on each side of the Restrictor Plate.
 - a. The gaskets must be as per the original Manufacturer's specifications.
 - b. The gaskets must be correctly located on each exhaust header studs.
 - 6) Nuts complying with Chapter 6 Rule 5.f must be fitted to the engine exhaust studs.
 - 7) Each engine must have its own Exhaust Restrictor and Header Pipe.
 - a. Changing or swapping Exhaust Restrictors and/or Header Pipes is not permitted.
 - 8) Where the AKA14 Control Muffler is used in Cadet 9, Cadet 12 Classes, the exhaust length, from the exhaust mounting flange/aluminium face of the cylinder to the centre of the weld at the end of the divergence cone is 445mm.

10 Non-Technical items

- a) Items with no specific technical restrictions are termed Non-Technical and are as follows:
 - (i) Seals
 - (ii) Big end roller/cage
 - (iii) Little end spacers
 - (iv) Piston Rings
 - (v) Washers
 - (vi) Cages
 - (vii) Fasteners
 - (viii) Fulcrum spring (carburettor meter levering spring)
 - (ix) Spark plug lead and cap
 - (x) Gudgeon pins
 - (xi) Main bearings
 - (xii) Coolant sealing "O" rings
- b) Unless specified, in the Rules and/or in the Homologation non-technical items are to be of the same specification as the original.
- c) Alteration from the original manufacturer's specifications to enable the fitment of a non-technical item is not permitted.

Homologation

1 Homologation

- a) The use of all **Engines**, equipment and components, as listed in KA's Homologation Policy and Procedures documentation, in any KA authorised **Competition or Karting** Activity requires official KA Homologation.
- b) The Homologation Policy and Procedures (**By-law 10**), including all supporting documents, instructions, and requirements are available from:
 - (i) KA National Office; or
 - (ii) www.karting.net.au
- c) KA Homologation
 - (i) All application fees and conditions are determined by KA.
 - (ii) Successful Homologation does not imply nor guarantee incorporation into the Rules allowing use in KA sanctioned activities.
 - (iii) Application for incorporation into the Rules to allow use in KA sanctioned activities can only be made after successful Homologation.
 - (iv) Successful Homologation will only occur if KA determine the use of the equipment and/or component is in the best interests of Karting and aligned with KA's strategic direction.

2 Expired Homologation

- a) Any Engine or equipment for which the Homologation has expired, may at the discretion of KA continue to be Approved for use in Competition and Karting Activity despite the lapsing of the Homologation.
- b) Such Engine or equipment must continue to always comply with the Homologation documents in effect at the time of expiration of the Homologation.

3 Re-Homologation

- a) If the Manufacturer of the Engine or equipment wishes to evolve or upgrade a component or components of the Engine or the equipment, the Manufacturer will be required to comply in full with By-law B10 – Homologation Procedures, including the payment of all Homologation and Approval fees specified by KA.
- b) Upon completion of the Homologation of any component or components of the Engine or the equipment, the Homologation of the Engine or the equipment will be re-established for a further homologation term.

Fuel

1 Definitions

- a) Commercial Fuel
 - (i) A petrol or ethanol blended fuel produced by an oil company and available for commercial sale in all States and mainland Territories of Australia.
 - (ii) With the exception of ethanol blended fuels, all Commercial Fuel shall comply with the Fuel Standards Determinations made under Section 21 of the Fuel Quality Standards Act (2000).
 - (iii) Fuel which is the subject of Approvals made under Section 13 of the Fuel Quality Standards Act (2000) shall not be regarded as Commercial Fuel.
- b) Pump Fuel
 - (i) A Commercial Fuel, with a maximum ethanol content of 10%.
 - (ii) Pump Fuel shall be available for sale on demand from a roadside retail bowser outlet at each of at least five separate service stations in each of at least three Australian States or mainland Territories.
 - (iii) A mixture of Pump Fuels with the same hydrocarbon profile is permitted. (eg, brands of unleaded petrol (ULP) may be mixed; 10% ethanol fuels and ULP may not be mixed).
- c) Premium Unleaded Petrol (PULP)
 - (i) Is defined as an Unleaded Pump Fuel with a Research Octane Number greater than or equal to 95.
- d) E10 PULP
 - (i) Is defined as an ethanol blended Pump Fuel containing a minimum of 90% PULP and a maximum of 10% of ethanol.
- e) Unleaded Racing Fuel
 - (i) Is defined as unleaded petrol produced by an oil company in compliance with the specifications detailed in Article 252.9.1 of Appendix J of the ISC; or
 - (ii) Is formulated for CIK-FIA performance engines and may be approved for use in specific Competition by KA.
 - (iii) The Commercial supply of such fuel from a drum is permitted.

2 KA Permitted Fuels

- a) The only Fuels permitted for use are:
 - (i) Pump Fuel conforming to the following:
 - 1) PULP
 - 2) E10 PULP
 - (ii) Unleaded Racing Fuel conforming to the following:
 - 1) Elf LMS
 - 2) Panta Kart 102
 - (iii) Fuel that has been approved by KA and is stipulated in Supplementary Regulations for a Meeting.
 - (iv) Other than a mixture of Pump Fuel in accordance with Rule 1 b) (iii) herein, it will be an offence to mix any Fuels together.

3 Control Fuel

- a) Control fuel is defined as a Fuel which is made available or stipulated by KA, a Promoter or Club for a particular Meeting to ensure fuel performance parity.
- b) Must be a KA Permitted Fuel.
- c) May apply to all Karts or to individual Classes at the meeting.
- d) Must be fully detailed on approved Supplementary Regulations for the Meeting.
- e) The Supplementary Regulations must include:
 - (i) Fuel Brand – eg Shell
 - (ii) Fuel Type including Research Octane Number – eg E10 PULP
 - (iii) Supplier
 - (iv) Applicable Classes
 - (v) Supply Location
 - (vi) Date and Time from which the Fuel must be purchased
 - (vii) Time in the Meeting from which the Fuel must be used

4 Oxidants

- a) Only air may be mixed with the fuel as an oxidant.
- b) The use of Nitrous Oxide is not permitted.
- c) The use of any substance which is capable of exothermic reaction in the absence of external oxygen is not permitted.

5 Additives and Engine Lubricants

- a) Only commercially available Motor Oil that has been approved by KA and that does not contain a performance enhancing additive may be added to the Fuel.
- b) The list of approved Motor Oils is available at www.karting.net.au
- c) A Competitor must be able to advise the relevant officials the following:
 - (i) Oil Brand
 - (ii) Oil Type
 - (iii) Fuel to Oil ratio
- d) It will be an offence to mix any Motor Oils together.

6 Fuel Offences

- a) A Driver or Competitor whose Kart contains Fuel which does not comply with the prescriptions herein will be penalised in accordance with the Rules.

7 Health Warning

- a) All Participants in Karting are reminded that fuels, oil, lubricants and coolants are highly specialised substances. Apart from the ever-present risk of fire, Participants must be aware that these agents may contain substances that are extremely dangerous to one's health if misused, inhaled or allowed into contact with human skin. Some of the components of these fuels, oils and lubricants are suspected of having the potential to cause cancer in rare instances. The use of petrol as a general cleaning and washing agent is a common misuse of a potentially dangerous substance **and is prohibited**.

Tyres

1 General

- a) Only Tyres approved by KA and distributed by KA's Official Tyre Suppliers are permitted to be used in Competition.
 - (i) KA Official Tyre Suppliers
 1. LeCont – Patrizicorse
 2. Maxxis – St George Kart Wholesale
 3. Vega – International Karting Distributors
 - (ii) Each individual Class definition lists the Tyres approved for use in that Class.
 - (iii) KA may use State Regulations and/or Supplementary Regulations to designate approved Tyres.
 - (iv) When inflated to the manufacturers recommended minimum pressure and with the temperature of the Tyre between 20°C and 30°C, the outside circumference measured at the centre of the tyre, must be between 691mm and 974mm.
 1. These circumferences relate to diameters of between 220mm and 310mm.
- b) The intentional removal, either completely or partially, of any official/manufacturers marking or label is not permitted.
 - (i) It is the Driver's responsibility to ensure that at least one barcode per Tyre remains scannable at all times throughout the meeting.
 1. Any damaged or unreadable Tyre barcodes must be reported to the scrutineers prior to leaving the in-grid/impound area.
 2. These tyres must then be stamped internally, and externally marked with the Race number and Class they are allocated to.
 - (ii) This must be recorded by the scrutineers prior to leaving the in-grid/impound area.
- c) Any modifications or alterations to Tyres, other than that which occurs through normal use, are not permitted.
 - (i) For clarity, the use of any method, including but not limited to the use of a heat gun or oven, or agent, including but not limited to the use of chemicals or processes, to alter the hardness, construction, compound or composition is not permitted.
 - (ii) It is highly recommended solvent based lubricants for the purposes of installing Tyres onto wheels are not used.
- d) The only medium to be used to pressurise Tyres fitted to a wheel is air.
- e) The use of any form of automatic pressure control device, including bleed off valves, is not permitted.
- f) Apart from normal use of the Tyre according to the Rules, the use of any device, system or item, at any time during a Meeting, to artificially control, or vary from ambient, the temperature of a Tyre is not permitted.
 - (i) Use of a Heat Gun to remove build-up on Tyre treads is not permitted.
- g) Dry and Wet Weather Tyres must not be used on a Kart at the same time.
- h) One (1) set of tyres is defined as a unique group of four Tyres, consisting two (2) front and two (2) rear Tyres which conform to the specific Class Rules in which the Kart Competes.
- i) Any Tyres damaged or worn out or by way of a manufacturing defect, must be reported to and be inspected by the Chief Scrutineer and/or Tyre representative, prior to the Kart leaving the in-grid and/or parc fermé.

- j) In addition to the Tyres approved for use in 2022 Competition, Bridgestone, Dunlop and MG Tyres that were approved for use in 2021 Competition and that are specified in Class Rules are permitted to be used in (Social) Karting Activities until 31 December 2022.

2 Tyre Types allowed

- a) Dry Tyres must be used at all times, unless the Track is declared "Wet" by the Clerk of the Course and Chief Steward of the Meeting.
b) When the Track is declared "Wet", Wet Weather Tyres may be used.

3 Allocation and Usage

- a) Unless otherwise stipulated in the specific Class Rules, from the commencement of the first qualifying session for a Class, at a Meeting, a Driver is permitted to use only one (1) set of Dry Tyres and only one (1) set of Wet Weather Tyres per Class.
b) At a State Championship Meeting prior to the Meeting Drivers must have their nominated set of Tyres marked and recorded.
(i) The numbers of spare Tyres permitted is defined by each individual Class definition.

4 Replacement Tyres

- a) Any replacement Tyre, required for any reason other than a manufacturing defect, will be at the Drivers cost.
b) Any replacement Tyre must be at the approval of the Chief Scrutineer.
c) Any Tyre that is damaged or worn out or deemed by the Chief Scrutineer and/or Tyre representative to have a manufacturing defect, may be replaced.
(i) Replacement Tyres cannot be reversed.
(ii) A Driver receiving a new replacement Tyre must start at the rear of the grid in their next Competition in the Class.
(iii) A Driver is only permitted to retain their allocated starting position in the next session if Tyre Pooling is not in use at the Event and the replacement Tyre is a used Tyre as approved by the Chief Scrutineer.

5 Tyre Pooling

- a) Supplementary Regulations for a Meeting must stipulate whether Tyre Pooling is to be used.
b) National Championship Meetings must use Tyre Pooling.
c) The use of Tyre Pooling at a National Series and National Cup events is permitted.
d) All Tyres must be Dry Tyres only and in accordance with these Rules.
e) Each individual Class must be allocated with Tyres from the same manufacturing batch.
f) Allocation and Usage.
(i) Unless otherwise approved by KA or stipulated in National Championship or National Series Sporting Regulations, or Supplementary Regulations, for the Meeting, each Driver will be issued with one (1) set of Tyres for each Class in which they are entered.
(ii) Use of Tyres in a Class they are not allocated to is not permitted.
(iii) Any new allocated Tyre which, when compared to the same type of new Tyre in the allocated set, inflated to the same pressure, varies in circumference by more than 10mm may be exchanged for a new Tyre of the same type.
1. This process must take place in consultation with the Tyre supplier and Chief Scrutineer.
(iv) Prior to the meeting, all Tyres in the pool will be either;
1. Scanned with the KA Barcode Scanning system; or
2. Marked with the Race number and Class they are allocated to; or
3. Both 1. and 2. above.

Noise Control**1 General**

- a) KA recognises noise is a part of Karting, KA are also aware it is everyone involved in Karting's responsibility to behave in a manner which is socially acceptable, and the control of noise is an important part of our social responsibility. As such KA take noise control very seriously and set stringent noise levels for all to abide by.
- b) Competitors and those involved with Kart preparation must maintain all fittings and fastenings associated with the control of noise on their Kart and to maintain a vigilant and preventative stance to noise control.

2 Permitted Noise Level

- a) At all Meetings, the noise level.
 - (i) Must not, at any time, exceed 100dBA.
 - (ii) Supplementary Regulations for a Meeting may stipulate a lower maximum permitted Noise Level for all or any part of the Meeting.

3 Noise Testing and Recording

- a) The Sound Level Meter tested and approved for the stipulated noise level tests must conform to the Minimum requirements of Australian Standards AS1259 part 1982 for Type 2 Meters.
- b) Sound Level Measurements are to be made in accordance with the procedures in
 - (i) Australian Standard AS2659.1 – 1988 "Guide to the Use of Sound Measuring Equipment Part 1 Portable Sound Level Meters" using 'F' time weighting characteristic, normal incidence microphone and 'A' weighting.
- c) The test positions are to be set by the Circuit Inspector and should be sited to;
 - (i) measure Karts when they are under Maximum acceleration and are operating at a Minimum of 75% of their rev range
 - (ii) ensure that the Maximum noise level emitted by a Kart is measured
 - (iii) ensure Minimum reflection from buildings / structures.
- d) The microphone is to be located:
 - (i) No further than 10 metres from the outside edge of the Track
 - (ii) Between 1.0 and 1.5 metres from the ground
 - (iii) Facing towards the Track.
 - (iv) The microphone must be free from 'solid objects' that are able to ricochet sound.
- e) It is highly recommended that all sound meters utilise remote microphones.

4 Supplementary Testing and Recording

- a) The Stewards or Clerk of the Course may direct a Competitor to submit their Kart to a noise test at any time during a Meeting.
 - (i) If such a test is to be done, the Kart should be impounded and tested before any work can be carried out to the Kart. Competitors must comply with any reasonable request from the Officials.

5 Noise Officials

- a) At all Meetings an Official must be nominated as Judge of Fact (Noise Level) and their name included in the Supplementary Regulations for the Meeting.

- b) The Stewards must ensure that the Organisers have the necessary noise measuring devices in place and that they are in operation throughout the entirety of the Meeting.
- c) Drivers or Competitors of Karts which record sound levels equal to or between 98 dBA and 100 dBA must be informed of their noise level and the session in which it occurred by the Officials as soon as possible.
- d) Drivers or Competitors of Karts which record sound levels greater than 100dBA must be referred to the Stewards as soon as possible.
 - (i) The referral must include the session in which the offence occurred and the level of the offence.

6 Noise Offences

- a) A Driver or Competitor whose Kart emits noise in excess of the designated noise level at any time will be penalised in accordance with the Rules.
- b) They may be removed from the Track and not permitted to resume practice or racing until the Officials are satisfied that work has been carried out to rectify the problem.

7 Noise Safety

- a) It is permitted to stipulate in Supplementary Regulations that the starting of a Kart engine is prohibited everywhere within the Circuit other than:
 - (i) In the out grid on the instruction of the Grid Marshall in accordance with Rule 7 f) herein.
 - (ii) To test that there is spark to start the engine;
 - (iii) While on the Track; and
 - (iv) In Parc Fermé under the instruction of the Chief Scrutineer or their delegate.
- b) Officials:
 - (i) It is highly recommended every Official or helper who is located close to the Track be issued with hearing protection.
 - 1) This can be either earmuff style or disposable foam plugs style.
- c) Drivers:
 - (i) It is highly recommended that ear plugs are worn at all times when driving a Kart.
- d) Pit Area: (In / Out grids and Through grids).
 - (i) It is highly recommended that all personnel in the pit area use hearing protection.
- e) Paddock Area: (Where the Karts normally are between Races).
 - (i) The starting of Kart engines in the Paddock area is only permitted for a Maximum of ten (10) seconds.
 - (ii) A Competitor wishing to start a Kart engine for longer than 10 seconds must do so in an area designated by the Organiser.
 - (iii) The starting of any Kart engine during the time scheduled for any Drivers Briefing is strictly prohibited.
- f) Starting of Kart engines in the out grid is only permitted under the instruction of the grid marshal.
 - (i) It is highly recommended all persons wear hearing protection in this area.
- g) Spectators
 - (i) It is highly recommended all Clubs and Courses display signage in all areas accessible by the general public which indicates high noise levels may be experienced in that area and hearing protection is recommended.

8 Noise Emission

- a) To assist in reducing Noise Emissions;
 - (i) For all Classes using the Yamaha KT100S Series Engine, refer to Rule Yamaha KTS 1.05 in the Technical Specifications for the Yamaha KT100S engine, available at www.karting.net.au.
 - 1) Shrouds wrapping around air cooled engine cylinder and cylinder head fins are not permitted.
 - (ii) For all other Classes it is recommended that a system is employed to reduce the vibration of the engine's cooling fins.

Scrutineering and Technical Conformity

1 General

- a) To ensure compliance with all Rules, KA will carry out inspections.
- b) KA reserves the right to:
 - (i) Carry out these inspections at any time and on any item.
 - (ii) Apply any Seal, Identification Tag, Barcode and/or Marking at any time on any item.
 - (iii) Add to the inspection procedures contained within the Rules at any time.
 - (iv) Alter the inspection procedures contained within the Rules at any time.
- c) By entering a KA sanctioned meeting the Competitor implicitly states:
 - (i) They accept the governance of KA in regard to all Rules.
 - (ii) They will comply with all Rules at all times throughout the Meeting.
 - (iii) Their Kart and Apparel conforms to all applicable Rules.
 - (iv) They make any item, and/or themselves available for inspection at any time.
 - (v) They will comply with all Official instructions within the time allocated for compliance.
 - (vi) The responsibility for safety with all items is theirs.
 - (vii) They will not use compliance with a prior inspection as defence in relation to non-compliance in a current inspection.
 - (viii) They will not tamper with and will maintain the integrity of all Seals, identification Tags, barcode and/or Markings at all times
 - 1) Prior to leaving the in-grid / scales area after each session they will check all Seals, Identification Tag, Barcode and/or Marking's for loss, damage or illegibility.
 1. Any such loss, damage or illegibility must be reported to the Chief Scrutineer immediately.
- d) In the event of a Competitors Disqualification from a Meeting or part thereof due to non-compliance on the grounds of safety, they are not permitted to protest or appeal the decision.
- e) Inspections take the following forms:
 - (i) Scrutineering (Safety Compliance and Administrative Checks)
 - 1) Are to ensure a Kart and Driver compete on Track in a condition that provides for their and other competitors safety under all Competition situations.
 - 2) Are to provide officials with administrative information in regard to all aspects of a Competitors entry in a Class.
 - (ii) Technical Conformity Tests
 - 1) Are to ensure all aspects of the Kart and Drivers performance is within the Rules of KA as they specifically relate to the particular Class entered.

2 Scrutineering

- a) May be carried out by either of the following authorised persons:
 - (i) The Chief Scrutineer or their delegate; or
 - (ii) The Competitor
- b) Prior to a Competition, their complete Kart, or a replacement component, being allowed to take part in the relevant Class Competition:
 - (i) Scrutineering must be conducted by an authorised person.

- (ii) The Competitor must submit to the designated Meeting Official the correct Scrutineering Form relevant to the Class being entered. This signifies, independent of the type of authorised person, the Competitor has checked all items, and their Kart and Apparel complies with all Rules relevant to the Class entered.
 - 1) It must be completed in full.
 - 2) If a paper Scrutineering Form is used, it must be signed by the authorised person who carried out the Scrutineering.
 - 3) If the digital Scrutineering Form is used, it must contain the name and Licence Number of the authorised person that carried out the Scrutineering.
- (iii) A Kart and/or component must have affixed to it the correct Seal, Identification Tag, Barcode and/or Marking supplied by the designated Meeting Official after compliance with Rule (ii) above.
- c) Any Kart damaged during a Meeting must be presented to the Chief Scrutineer at the designated Scrutineering Bay.
 - (i) It will only be released to the Competitor upon the direction of the Chief Scrutineer.

3 **Technical Conformity Testing**

- a) May be carried out on any item.
 - (i) May require the removal of the item from the Kart.
 - (ii) Should removal be required it is the Competitor's responsibility to remove and refit the item and to present it in a clean and tidy condition.
- b) Must be conducted by the Chief Scrutineer or their designated representative, or by an authority approved by KA.
- c) A Competitor or their designated representative may be present at the time of the Technical Conformity Test.
- d) When nominated for Technical Conformity Testing an item is therein deemed to be in Parc Fermé conditions.
 - (i) It will remain in Parc Fermé conditions until released by the Chief Scrutineer.
 - (ii) It must be sealed and identification tagged by the Chief Scrutineer or their designated representative.
 - 1) The Competitor will be provided with a receipt.
 - (iii) Parc Fermé conditions expire after 21 days, unless:
 - 1) KA or the SKA specifically direct it to continue.
 - 2) A Protest or Appeal is made in respect of the item.
 - (iv) Technical Conformity Testing must occur during the Parc Fermé conditions.
 - (v) The Chief Scrutineer has control of the item whilst it is in Parc Fermé conditions.
 - 1) Depending on the specifics of the situation, the Competitor may still use the item whilst it is in Parc Fermé conditions.
 - (vi) If the item has been removed from the possession of the Competitor during application of the Parc Fermé conditions it must be returned to the Competitor no later than the Parc Fermé conditions expiry time.

4 **Standard of Conformity**

- a) The standard of conformity with the Rules and the relevant Homologation that must be applied by a Scrutineer is one of 'Strict Liability' – i.e., the Licence Holder is liable for any non-compliance with the Technical Rules including the relevant Homologation regardless of whether the Scrutineer has formed the opinion that any such non-compliance is not intentional, reckless, or negligent.

- b) Inadvertent contravention of the Rules and/or the relevant Homologation by a Licence Holder, other than a minor non-compliance that is assessed as a Minor Ineligibility in accordance with Rule 5, is a matter that can only be determined by the Stewards and/or a Tribunal and then, should only be considered in their deliberations and imposition of any Penalty that should be imposed.

5 Minor Ineligibility

- a) The Chief Scrutineer, having noted an item of minor non-compliance, must advise the Competitor regarding rectification of the non-compliance.
- b) Having so advised the Competitor, before the Competitor is permitted on to the Track, the Chief Scrutineer must provide the Stewards a note in the following form:
- (i) "In my view, the minor non-compliance noted herein and advised to this Competitor does not improve the performance to such an extent that the Competitor should be Disqualified from this Meeting, and thus they may compete in this condition for this Meeting only."
- c) Upon receipt of the note referred to above, the Chief Steward of the Meeting may then permit the Competitor to participate in the Meeting.
- d) If the Chief Steward of the Meeting has specifically approved the participation of a Competitor, then no Protest or Appeal on that ground by any other person will be accepted in respect of that Meeting.
- e) Where a question of eligibility is raised during or after Competition and that matter would have been treated as a "minor ineligibility" if raised at scrutiny the Chief Steward of the Meeting may treat the matter post Event in the manner as determined above.

6 Seals

- a) Save for factory fitted seals on engines used in the 4SS and 4SE Classes, only seals supplied by KA are permitted to be used. Other seals may be fitted but will have no regulatory value.
- b) Once supplied and instructed to be fitted, must remain in place at all times.
- c) Other than 4SS and 4SE factory fitted seals which must not be removed under any circumstances, a Seal must only be removed by the Chief Scrutineer or their designated representative.
- d) Tails on plastic seals must be left at full length.
- e) All engines must have provision for sealing.
- f) Sealing must be done in accordance with these Rules.
- g) Specific Details for Engine Seals
- (i) Unless specifically stated in individual Class definitions and/or the Homologation papers, all engines must be fitted with solid sealing nuts appropriate for the respective engine type.
- (ii) A Solid Sealing Nut has a cross drilled hole of at least 3mm diameter in one end that allows the fitting of an engine Seal/Tag.
- (iii) Once fitted with the Seal/Tag it must not be able to turn.
- (iv) Only one (1) nut must be used per stud.
- (v) Engine Seals/Tags are typically fitted to the following nuts:
- 1) Extended Cylinder Head
 - 2) Cylinder
 - 3) Or Exhaust Nut
- (vi) Engines with Integral cylinder and cylinder head studs.
- 1) Two (2) sealing nuts must be used.
 - 2) They are to be fitted on adjacent studs.
 - 3) The 3mm cross hole in each nut must be above the cylinder head cooling fins.
 - 4) The cylinder head cooling fins must not be drilled.
- (vii) Engines with Cylinder head studs independent of Cylinder Studs.
- 1) Two (2) sealing nuts must be fitted.

- 2) They are to be fitted on adjacent studs.
- 3) The 3mm cross hole in each nut must be above the cylinder cooling fins.
- 4) One (1) internal hex cylindrical nut must be fitted on a cylinder to crankcase drive side stud.
 - a. It is not to have a cross drilled hole.

(viii) Water Cooled Engines.

- 1) Two (2) sealing nuts must be fitted.
- 2) They are to be fitted on adjacent cylinder head studs.
- 3) The exception to this are all Rotax engines.

7 Technical Conformity Tests

a) General

- (i) Unless specifically stated, or requested by the National Technical Commissioner, Technical Conformity processes are to test and check for compliance, not to record absolute measurements.
- (ii) Where the use of a gauge is required, the approved item or a gauge approved by either the National Technical Commissioner or the State Technical Officer must be used.

b) Tolerances

- (i) Where the Rules refer to a Maximum or Minimum measurement, that measurement is absolute with no tolerance applicable.
- (ii) Unless otherwise specified the tolerances given in Appendix 1, Table 2 apply to all measurements.

8 Cylinder Head Volume Measurement

a) Purpose

- (i) To ensure the Cylinder Head Volume is within the specifications allowed in relation to the Class entered.

9 Measuring Engines Controlled by Exhaust Port Timing

a) Purpose

- (i) To measure the minimum piston travel to ensure it is within the specifications allowed in relation to the Class entered.

10 Port timing Check with AKA Piston Travel Rods

a) Purpose

- (i) To check the exhaust transfer split, and in piston port engines the exhaust to inlet split, to ensure they are within the specifications allowed in relation to the Class entered.

11 Control Muffler Checks

a) Purpose

- (i) To ensure AKA14 and AKA39 Control Mufflers are as per the specification.

12 Clutch Testing

a) Purpose

- (i) To ensure correct functionality of any clutch fitted to an engine on a Kart.

13 Fuel Testing

a) Purpose

- (i) To ensure all Fuel conforms to the requirements of a KA permitted fuel.

14 Tyre Testing

a) Purpose

- (i) To ensure all Tyres are used as supplied and without the use of illegal agents or solvents.

Apparel

1 **General requirements applicable to Drivers at all times whilst engaged in the act of operating a Kart.**

- a) They must wear the following protective apparel:
 - (i) Helmet
 - (ii) Driving Suit
 - (iii) Gloves
 - (iv) Shoes
 - (v) Any item mandated in an individual Class definition.
- b) The use of the following items are highly recommended unless otherwise stipulated in an individual Class Rules:
 - (i) Neck BRace
 - (ii) Kidney Belt
 - (iii) Rib and/or Chest protectors (It is recommended that chest and rib protectors compliant with FIA Karting Body Protection Standard FIA 8870-2018 are used.)
 - (iv) Ear Plugs
- c) Long hair must be securely retained.
 - (i) It must not be retained within the Helmet.
 - (ii) Retention within the following is permitted;
 - 1) Hair Net
 - 2) Hood
 - 3) Balaclava
 - 4) Driving Suit
- d) Cool suits are permitted.
 - (i) Must be fully sealed and self-contained wholly within the Driving Suit.
- e) The retention of any ballast, or item deemed by the Chief Scrutineer as ballast, within any protective apparel or to the Driver's body is not permitted.
- f) The use of any type of Glass in any apparel or item worn by the driver is not permitted.
- g) Unless otherwise specifically permitted by these Rules, it is not permitted to wear any type of garment over a Driving Suit at any time whilst a Kart, including any Vintage Kart, is on a Track.

2 **Helmets**

- a) Must be fitted and worn according to the manufacturer's instructions.
- b) Must at all times be fit for purpose and safe for use in Competition.
 - (i) Drivers are cautioned against using a helmet which has been damaged or involved in an accident.
- c) Must be of the 'Full Face' type.
- d) Must bear a label indicating they comply with at least one of the following standards:
 - (i) AS/ NZS1698
 - (ii) ECE-2204, ECE-2205 and ECER-2205
 - (iii) Snell SA2010, SAH2010, K2010, SA2015 (Not permitted for use after 31/12/2023),
 - (iv) Snell K2015, **K2020**
 - (v) Snell-FIA CMR2007, CMS2007, CMR2016, CMS2016

- (vi) SFI Specification 24.1
- (vii) FIA 8860-2004, (Not permitted for use after 31/12/2021)
- (viii) FIA 8860-2010, FIA 8859-2015, FIA 8860-2018, FIA 8860-2018-ABP, FIA 8860-2010
- e) Drivers competing in CIK-FIA International competitions must wear a CIK-FIA Homologated Helmet.
- f) The use of a Helmet 10 years after its date of manufacture is not permitted.
- g) The use of chin cups is not permitted.
- h) Unless done in compliance with instructions approved and supplied by the manufacturer, modification of any Helmet from its manufactured specification is not permitted.
- i) It is advised that painting or use of solvents on helmets could be potentially dangerous. Any decorations or stickers may damage the protective capacity of the Helmet and if applied should follow the manufacturer's guidelines and restrictions.
- j) Visors
 - (i) Must be attached to the Helmet and in the closed position at all times.
 - (ii) Must protect the eyes and face at all times.
 - (iii) Must protect any prescription glasses or contact lenses if these are required by the Driver.
 - (iv) Must be optically clear.
 - (v) For all competition conducted after sunset must be either non-tinted or specifically a 'Night Visor'.
 - (vi) May be modified to accept a spinning rain deflector.
 - (vii) Goggles in place of a Visor are not permitted.
- k) In the special case of a Cadet or Junior Driver where the smallest helmet offering 'Full Face' protection is too big.
 - (i) A motor cross type helmet which offers chin protection may be used.
 - 1) In this case the wearing of goggles is compulsory.
 - 2) These goggles must meet the AS1609-1981 standard.

3 Driving Suit

- a) Must be a one-piece protective item of clothing **other than in accordance with Appendix 4 (Introduction To Karting activities) - Article 6 b) (ii).**
- b) Must have full length sleeves and trousers.
- c) Must be adequately secured at the neck, wrists and ankles.
- d) Driving suits using leather, vinyl or abrasive resistant materials are highly recommended.
- e) Boiler suit type overalls with 'POP' type buttons are not permitted.
- f) Drivers must wear only one (1) Driving suit at any one (1) time.
- g) It is recommended that driving suits that comply with the CIK-FIA 2013-1 homologation be worn at all times.
 - i) Drivers competing in CIK-FIA International competitions must wear a CIK-FIA homologated driving suit.
- h) When the Track has been declared 'Wet' by the Clerk of the Course and the Chief Steward of the Meeting, clothing for the purpose of providing wet weather protection may be worn over an approved Driving Suit.
 - (i) Any such clothing must be adequately secured at the neck, waist, wrists and ankles, if applicable, and must not have any protrusions.

4 Gloves

- a) Must be securely fastened at the wrist.
- b) Must provide full finger protection.
- c) Must be resistant to abrasion.

5 Shoes

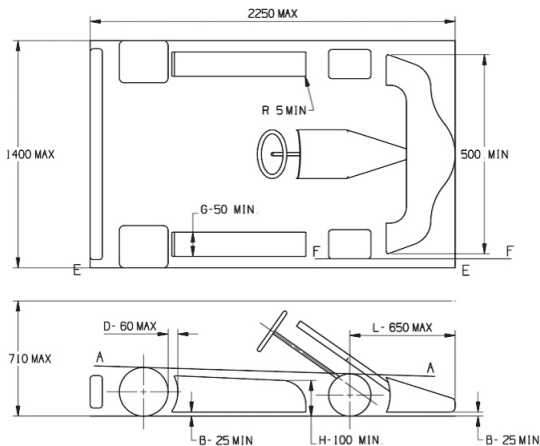
- a) Must be securely fastened.
- b) Must cover and provide protection to the ankles.
- c) Must be resistant to abrasion.

6 Pit Crew Apparel

- a) It is the Competitors responsibility to ensure any Pit Crew are suitably attired, including 'covered in' shoes.

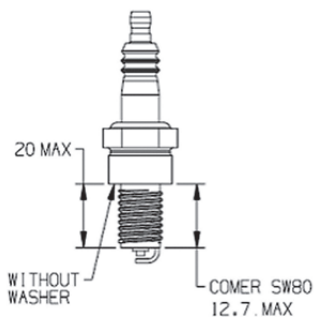
Figure 1

Appendix 1



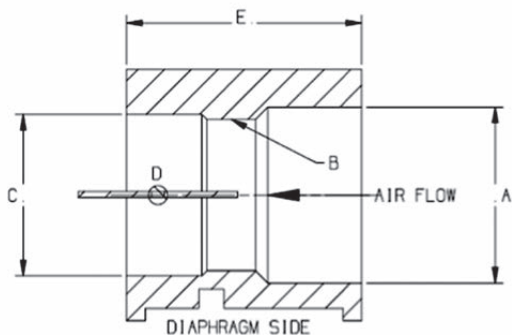
- Critical Australian Kart Formula Dimensions
- Specific References:
 - Australian Kart Formula, Chapter 1
 - Rule 8.d – Maximum Dimensions
 - Rule 8.g.ii.5 – Front Fairing
 - Rule 8.g.iv – Side Pods
 - Rule 8.g.viii.3 and vii.6 – Rear Bumper Bars

Figure 2



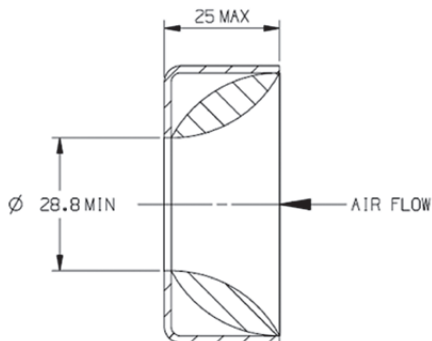
- Spark Plug Thread allowances
- Specific References
 - Australian Kart Formula, Chapter 1
 - 9.j – Spark Plugs

Figure 3



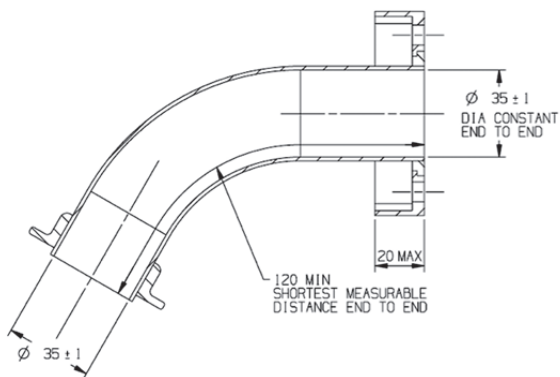
- Carburettor – Walbro WB dimensional allowances
- Specific References
 - Australian Kart Formula, Chapter 1
 - 9.l.vii

Figure 4

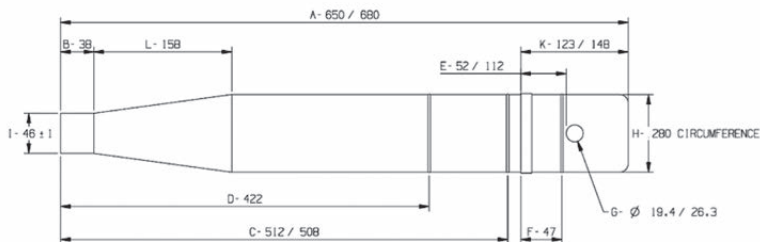


- Induction Noise Silencer Adaptor
- Specific References
 - o Australian Kart Formula, Chapter 1
 - 9.l.viii.2

Figure 5



- Exhaust Header Pipe
- Specific References
 - o Australian Kart Formula, Chapter 1
 - 9.n.vii.3.c

Figure 6**TABLE 1**

Reference	Description	AKA 14	AKA 39
A	Overall Length	650mm	680mm
B	Internal Tale Pipe Length	38mm	38mm
C	Tail Pipe to Baffle Length	512mm	508mm
D	Tail Pipe to Deflector Length	422mm	422mm
E	Exhaust Outlet Hole Position	52mm	112mm
F	End Cap to Baffle	47mm	47mm
G	Maximum Diameter Outlet Hole	19.4mm Max	26.3mm Max
H	Circumference	280mm	280mm
I	'Internal Diameter' Tail Pipe Inlet	46mm ± 1mm	46mm ± 1mm
J (not shown)	Maximum Diameter of internal Baffle Plate Hole	4.5mm Max	
K	End Cap Length	123mm	148mm
L	Inlet Pipe to first weld (Cone Length)	158mm	158mm

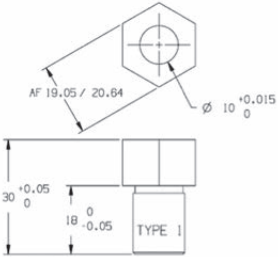
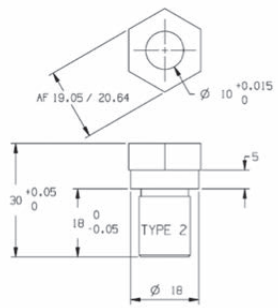
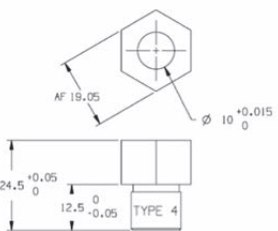
- Control Muffler Dimensions
- Specific References
 - o Australian Kart Formula, Chapter 1
 - 9.n.viii.6.d

TABLE 2

Dimension	<25mm	25mm – 60mm	> 60mm
Machined Parts	± 0.05mm	± 0.15mm	± 1.5mm
Non Machined / raw or welded parts	± 1.0mm	± 1.5mm	± 3.0mm

- General Tolerances
- Specific References
 - o Australian Kart Formula, Chapter 6
 - 6.b.ii

Figure 7 CC Test Gauges

<p>Type 1</p> <p>a. Hexagon $\frac{3}{4}$ (19.05 mm) or 13/16 inch (20.64 mm) AF</p> <p>b. Applies to all 20mm plug length engines, including:</p> <ol style="list-style-type: none"> 1. KT100J 2. KT100S 3. ARC 4. X30 5. Fireball 6. IAME KA 100 7. Vortex Mini Rok 	
<p>Type 2</p> <p>a. Hexagon $\frac{3}{4}$ (19.05 mm) or 13/16 inch (20.64 mm) AF</p> <p>b. Applies to all 20mm plug length engines, including</p> <ol style="list-style-type: none"> 1. KT100J 2. KT100S 3. ARC 4. X30 5. Fireball 6. Rotax Max and J Max <p>Type 2 gauge is specifically designed for Rotax Max and J Max by incorporating a relief to clear the water jacket cover.</p> <p>c. It is permitted to modify Type 1 gauges to incorporate the relief feature of the Type 2 gauge.</p>	
<p>Type 4</p> <p>a. Hexagon $\frac{3}{4}$ inch (19.05 mm) AF preferably</p> <p>b. Applies to the Comer SW80 engine with a $\frac{1}{2}$ inch (12.7mm) reach spark plug.</p>	
<p><i>For an engine which has a Homologated CC Test Gauge, such CC Test Gauge must be used.</i></p>	

CC Test Gauge Tolerances

All cc Test Gauges must conform to the following tolerances:

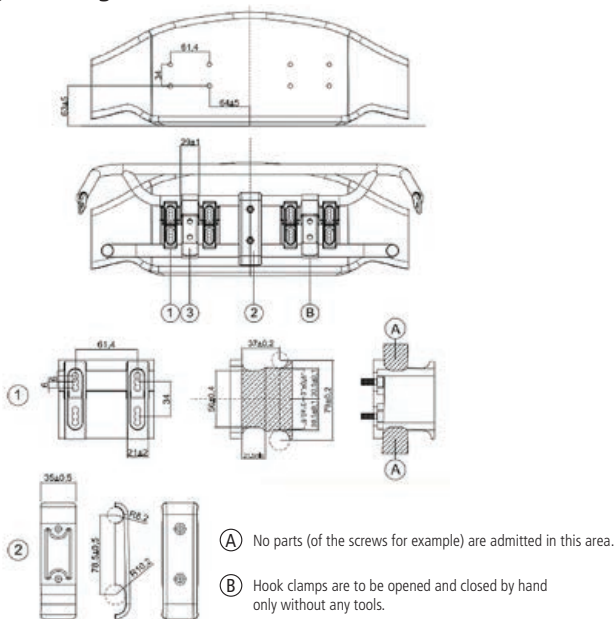
Feature	Tolerance (mm)
Overall Length	-0.00 to +0.05
Thread Length	-0.05 to +0.00
Bore	-0.00 to +0.015

TABLE 4 Port Timing and Piston Travel Measurements

Engine	Maximum Stroke	TDC to Exhaust Opening	Exhaust Open to Inlet Open	Exhaust Open to Transfer Open (using rod with 5 grooves)	Exhaust Open to Transfer Open (using rod with 4 grooves)
Comer SW80	38.10	31.20 Min / 32.20 Max	21.40 Min	3.70 Min	
KT100J	50.05	38.30 Min	26.80 Min	6.00 Min	
KT100S	46.13	30.80 Min	14.80 Min	9.50 Min	
ARC Spec 100	46.13	30.80 Min	14.80 Min	9.80 Min	
Leopard RL 125	54.00	38.40 Min			9.20 Min
PRD Fireball	54.00	38.30 Min / 38.80 Max			9.60 Min
Cheetah CNC	54.00	37.75 Min / 38.70 Max			9.80 Min

Figure 8

Front Fairing Mounting Kit



1. It is only permitted to fix the front fairing onto the kart using the front fairing mounting kit. No other device is authorised. It must be possible for the front fairing to move freely back in the direction of the chassis without any obstruction from any part that may restrict movement.
2. The front bumpers (lower and upper tube) must be rigidly connected with the chassis and must have a smooth surface. Any mechanical work or other intervention to maximize the friction of the front bumpers is strictly forbidden.

Definition - Front Fairing Mounting Kit

1. Mounting bracket kit for front fairing (2 pieces + 8 screws in total).
2. Front bumper support (2 half shells + 2 screws in total).
3. Adjustable hook clamps (the 2 pieces, shall be made of metal).

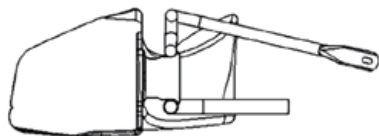
CIK Logo & Homologation number shall be embossed on each piece.

1. Mounting bracket kit for front fairing (the two (2) pieces shall be made of plastic).
2. Front bumper support (the two (2) half shells shall be made of plastic).

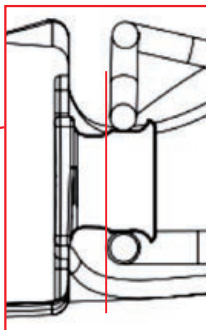
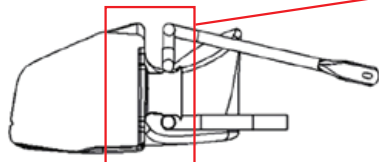
Front Fairing Installation

Correct Installation of the "Front Fairing"

Correct Position

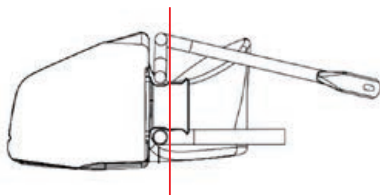
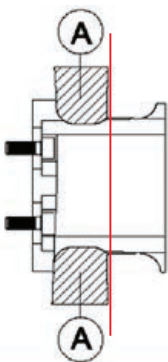


Acceptable Position



Not acceptable position

If any part of the tubes of the front bumper are in the areas marked "A".



TORINI

KART ENGINES

A NEW ERA IN LOW COST

CLUB RACING

TX250CEK

SUPERMAXX 250

The Supermaxx is a higher performance 4 stroke kart engine suitable for both single and twin engine karts. With a twin bearing CNC billet engine side cover, balanced crank, Torini designed cam, conrod, piston and head its performance is outstanding.

COMPLETE KIT INCLUDES

- Supermaxx Complete Sealed Engine
- Clutch & Guard
- Exhaust & Exhaust Wrap
- Mounting Plate
- Run In Oil & Racing Oil

SUPERMAXX



TX210CEK

CLUBMAXX 210

The Torini TC210CEK Complete Engine Kit comes out of the box with four Torini engine seals approved to race in Karting Australia's , 4SS class and 4SE Club day racing.

COMPLETE KIT INCLUDES

- Clubmaxx Complete Sealed Engine
- Clutch & Guard
- Exhaust & Exhaust Wrap
- Mounting Plate
- Run In Oil & Racing Oil

CLUBMAXX

DESIGNED & BUILT IN AUSTRALIA

Torini engines are hand built in our production facility in Brisbane using local and imported high quality forged and billet components.



All engine components are quality checked before use in production with any component not meeting standard being returned to the supplier. Every Torini engine is test run and adjusted to ensure the best quality performance to the consumer before going to the warehouse for packaging.

FOR FULL ENGINE SPECIFICATIONS VISIT

TORINI.COM.AU



LECONT

Official Karting Australia Competition Tyres 2022 - 2026

ARE YOU READY?

patrizicorse.com
KARTINGONLINE

Medium-High Grip
KA2, TaG

\$275



High Grip
KZ, Open Performance, X30 (AKC)

\$275

SV1 WET

\$302

All LeCont Classes



Proudly distributed by Patrizicorse.

Available through all reputable karting retailers.

All prices are RRP including GST and excluding freight.

FACTORY TEAM
PCR



OUR PASSION
IS YOUR
SUCCESS



UNIT 2/21 WAYNOTE PLACE
UNANDERRA NSW 2526
TEL : 02 4244 8891
WWW.PCRAUSTRALIA.COM.AU

PRD

RACE ENGINES



DESIGNED AND BUILT IN
AUSTRALIA

Affordable insurance for your kart and equipment



Australia-Wide Kart Insurance

Gallagher are pleased to provide all Karting Australia members access to our tailored Australia-wide motorsport insurance program. The policy provides cover for:

- Full accidental loss or damage anywhere in Australia
- Includes whilst in transit and static/stored, Australia-wide
- Covers karts, tools, spares, accessories, race gear and equipment
- Agreed value wording

Premiums start at \$600

sport.ajg.com.au/karting-australia/

Simply download the application form from the above, and return to sport@ajg.com.au. Minimum premium to setup a policy is \$600. Multiple karts start at \$300 per kart.



Gallagher

Insurance | Risk Management | Consulting

Find out more.

*Get in touch with the
Gallagher team*

Terry Berryman

1800 776 780

sport@ajg.com.au



Class Rules



Cadet 9

1 **Class**

- a) Cadet 9

2 **Age**

- a) From age 6
- b) A Driver must be a minimum of 7 Years old to Compete
- c) Maximum Age: Date of 10th birthday
- d) A Driver between the age of 6 and 7 years is permitted to practice at Club level only

3 **Competition Eligibility**

- a) Club
- b) Zonal
- c) State Championship, Series, Cup, Trophy
- d) National Championship, Cup

4 **Licence Requirements**

- a) State Championship, State, Zonal and Club Competition: Driver must hold the relevant Cadet 9 licence
- b) National Championship: Driver must hold a Minimum C Grade Cadet 9 licence

5 **Chassis Eligibility**

- a) A Kart must have a Minimum wheelbase of 880mm

6 **Drivetrain**

- a) Engine
 - (i) Types of Engines
 - 1) Vortex Mini Rok (with 16mm restrictor) as Homologated **No 107H** - including all ancillary components
 - a. The engine must be manufactured by Vortex and imported into Australia by Patrizicorse.
 - 2) Comer SW80 (Zonal (Unless otherwise specified in State Regulations) and Club level events)
 - 3) Yamaha KT100J (Zonal (Unless otherwise specified in State Regulations) and Club level events)
 - (ii) Technical specifications and Homologation Papers available at www.karting.net.au
 - (iii) Maximum Number of engines permitted to be used by the Driver from the commencement of the first qualifying session at each Meeting
 - 1) Two (2)
- b) Carburettor
 - (i) Vortex Mini Rok
 - 1) In accordance with the Homologation – Del’Orto PHBG ø 18mm
 - 2) For Zonal and Club level Competition only – one (1) Main Jet - 97
 - (ii) Comer SW80
 - 1) In accordance with the Homologation
 - (iii) Yamaha KT100J
 - 1) Walbro WB Series in accordance with the Technical Rules

- c) Starter
 - (i) In accordance with the Homologation otherwise, no class specific conditions
- d) Clutch
 - (i) Vortex Mini Rok
 - 1) In accordance with the Homologation
 - (ii) Comer SW80
 - 1) Comer, Part# S80 3950 01
 - (iii) Yamaha KT100J
 - 1) Tomar TD22 (AKA#56)
 - 2) Strike SS SSL (AKA#38)
 - 3) Ital Red (Long Shaft) (AKA#55), Spec 3 Taperlock, Spec 4 Taperlock
 - 4) ZEDTEC ZD1 X
 - 5) AKA#52
- e) Induction Noise Silencer
 - 1) Vortex Mini Rok – In accordance with the Homologation
 - 2) Comer SW80 and Yamaha KT100J - AKA43 Homologated Assembly
- f) Exhaust
 - (ii) Header Pipe
 - 1) Vortex Mini Rok – In accordance with the Homologation
 - 2) Comer SW80 – In accordance with the Homologation
 - 3) Yamaha KT100J - In accordance with Technical Rules
 - (ii) Restrictor
 - 1) Vortex Mini Rok – In accordance with the Homologation
 - 2) Comer SW80 – In accordance with the Homologation
 - 3) Yamaha KT100J
 - a. Yamaha KT100J engines must be fitted with a KA issued Exhaust Restrictor Plate complying with the Rules
 - The Internal Hole in the Exhaust Restrictor Plate must be no larger than 13.02mm diameter.
 - The Exhaust Restrictor Plate will be supplied by KA and identified with the stamped mark – ‘AKA1’.
 - (iii) Muffler
 - 1) Vortex Mini Rok – In accordance with the Homologation.
 - 2) Comer SW80 – In accordance with the Homologation.
 - 3) Yamaha KT100J – AKA14 Control Muffler.
- g) Fuel
 - (i) No Class specific conditions.
- h) Transmission
 - (i) For Zonal and Club level Competition only: Unless a single rear sprocket is specified in Supplementary Regulations, 74, 76, 78, 80 and 82 tooth rear sprockets are the only sprockets permitted to be used.
 - (ii) No Class specific conditions apply to all other Competition levels.
 - (iii) Gearbox not permitted.

- i) Sparkplug - Vortex Mini Rok and Yamaha KT100J Only
 - (i) For Zonal and Club level Competition only:
 - 1) NGK B9EG
 - 2) NGK B10EG
 - (ii) No Class specific conditions apply to all other Competition levels.

7 Competition Tyres

- a) Dry
 - (i) **Maxxis 190D – Cadet-KA**
 - 1) Front Tyre size must be:
 - a. **10 x 4.00-5**
 - 2) Rear Tyre size must be
 - a. **11 x 5.00-5**
- c) Wet
 - (i) **Maxxis MW21**
 - 1) Front Tyre size must be:
 - a. **10 x 4.00-5**
 - 2) Rear Tyres must be
 - a. **11 x 5.00-5**
- d) From the commencement of the first qualifying session at a Meeting, only the following Tyres are permitted to be used during a Meeting unless otherwise advised in Supplementary Regulations:
 - (i) one (1) set of Dry Tyres (plus one (1) replacement Dry Tyre if approved in accordance with the Rules); and
 - (ii) one (1) set of Wet Weather Tyres (plus one (1) replacement Wet Weather Tyre if approved in accordance with the Rules).

8 Social Karting Tyres

- a) Dry
 - (i) **Maxxis - 190D – Cadet-KA**
 - (ii) **LeCont - LH03 Aus, SVB, SVC**
 - (iii) **Vega - VAH**
 - (iv) **Bridgestone - DR1 YJL, DR10 YLR ROK, YDS**
 - (v) **Dunlop - DFM, DFH**
 - (vi) **MG - AZ-Red, FZ Prime (Yellow)**
- b) Wet
 - (i) **Maxxis - MW21**
 - (ii) **LeCont – SV1**
 - (iii) **Vega - W2**
 - (iv) **Bridgestone - WER YLP**
 - (v) **Dunlop - KT14W13**
 - (vi) **MG - SW, WT (White)**

9 Rear Axle

- a) For Zonal and Club level Competition only:
 - (i) Maximum OD – 30.0mm / Maximum ID – 24.0mm
 - (ii) Minimum length – 920mm
 - (iii) Maximum length – 960mm
- b) No Class specific conditions apply to all other Competition levels.

10 General

- a) Minimum weight including the Driver:
 - (i) Vortex Mini Rok: 99kg
 - (ii) Comer SW80: 90kg
 - (iii) KT100J: 100kg
- b) Data Logging and/or Electronic Dash Display
 - (i) Not permitted for Zonal and Club level Competition only.
 - (ii) No Class specific conditions apply to all other Competition levels.
- c) Wheels:
 - (i) For Zonal and Club level Competition only, Magnesium wheels are not permitted.
 - (ii) No Class specific conditions apply to all other Competition levels.
- d) Apparel
 - (i) Refer to Technical Rules - Apparel.
 - (ii) Rib protectors are mandatory for all Drivers.
 - (iii) Neck Braces and chest protectors are recommended for all Drivers.
- e) Competition Numbers
 - (i) Background: White.
 - (ii) Numbers: Red.
- f) Video Camera
 - (i) Must have a fully functioning digital video camera (including recording medium) fitted in accordance with the Technical Rules, at all times while on the Track in all National Championship and Cup Meetings.
- g) Permitted Modifications
 - (i) In accordance with the Homologation.

MicroMax

1 Class

- a) MicroMax

2 Age

- a) Minimum Age: 7 Years old
- b) Maximum Age: Date of 10th birthday

3 Eligibility

- a) Social Karting only

4 Licence Requirements

- a) A Driver must hold a Minimum C Grade Cadet 9 licence

5 Chassis

- a) A Kart must have a Minimum wheelbase of 890mm
- b) A Kart must have a Maximum wheelbase of 960mm

6 Drivetrain

- a) Engine
 - (i) Type ⇨ BRP Rotax Micro Max as Homologated No. 110H - including all ancillary components
 - (ii) The engine must be manufactured by BRP Rotax and imported into Australia by IKD or RaceMax Pty Ltd.
 - (iii) Technical specifications available at karting.net.au

b) Fuel

- (i) No Class specific conditions

7 Social Karting Tyres

a) Dry

- (i) Maxxis - 190D – Cadet-KA
- (ii) LeCont - LH03 Aus, SVB, SVC
- (iii) Vega - VAH
- (iv) Bridgestone - DR1 YJL, DR10 YLR ROK, YDS
- (v) Dunlop - DFM, DFH
- (iv) MG - AZ-Red, FZ Prime (Yellow)

b) Wet

- (i) Maxxis - MW21
- (ii) LeCont – SV1
- (iii) Vega - W2
- (iv) Bridgestone - WER YLP
- (v) Dunlop - KT14W13
- (vi) MG - SW, WT (White)

8 **General**

- a) Minimum Weight including the Driver
 - (i) 110kg
- b) Apparel
 - (i) Refer to Technical Rules – Apparel.
 - (ii) Rib protectors are mandatory for all Drivers.
 - (iii) Neck Braces and chest protectors are recommended for all Drivers.
- c) Competition Numbers
 - (i) Background: White
 - (ii) Numbers: Red
- e) Video Camera
 - (i) Must have a fully functioning digital video camera (including recording medium) fitted in accordance with the Technical Rules, at all times while on the Track.
- d) Permitted Modifications
 - (i) In accordance with the Homologation.

Cadet 12

1 **Class**

- a) Cadet 12

2 **Age**

- a) Minimum Age: Year of 9th birthday
- b) Maximum Age: Date of 13th birthday

3 **Competition Eligibility**

- a) Club
- b) Zonal
- c) State Championship, Series, Cup, Trophy
- d) National Championship, Cup

4 **Licence Requirements**

- a) State Championship, State Series and Cup, Zonal and Club Competition: Driver must hold the relevant Cadet 12 licence
- b) National Championship: Driver must hold a Minimum C Grade Cadet 12 licence

5 **Chassis**

- a) A Kart must have a Minimum wheelbase of 880mm

6 **Drivetrain**

- a) Engine
 - (i) Type
 - 1) Vortex Mini Rok (unrestricted) as Homologated **No 107H** - including all ancillary components
 - a. The engine must be manufactured by Vortex and imported into Australia by Patrizicorse.
 - 2) Yamaha KT100J Zonal and Club level events and All Speedway events - indefinitely)
 - (ii) All technical specifications available at www.karting.net.au
 - (iii) Maximum Number of engines permitted to be used by the Driver from the commencement of the first qualifying session at each Meeting
 - 1) Two (2)
- b) Carburettor
 - (i) Vortex Mini Rok
 - 1) In accordance with the Homologation– Del’Orto PHBG ø 18mm
 - (ii) Yamaha KT100J
 - 1) Walbro WB Series in accordance with Technical Rules Chapter 1 Rule 9 I)(vii)
- c) Starter
 - (i) In accordance with the Engine Homologation otherwise, no class specific conditions.
- d) Clutch
 - (i) Vortex Mini Rok

- 1) In accordance with the Homologation
- (ii) Yamaha KT100J
 - 1) Tomar TD22 (AKA#56)
 - 2) Strike SS SSL (AKA#38)
 - 3) Ital Red (Long Shaft) (AKA#55), Spec 3 Taperlock, Spec 4 Taperlock
 - 4) ZEDTEC ZD1 X
 - 5) AKA#52
- e) Induction Noise Silencer
 - (i) Vortex Mini Rok – In accordance with the Homologation
 - (ii) Yamaha KT100J - AKA43 Homologated Assembly
- f) Exhaust
 - (i) Header Pipe
 - 1) Vortex Mini Rok – In accordance with the Homologation ;
 - 2) Yamaha KT100J - In accordance with Technical Rules
 - (ii) Restrictor
 - 1) Vortex Mini Rok – In accordance with the Homologation
 - 2) Yamaha KT100J
 - a. Yamaha KT100J engines must be fitted with a KA issued Exhaust Restrictor Plate complying with the Rules.
 - The Internal Hole in the Exhaust Restrictor Plate must be no larger than 16.00mm diameter.
 - The Exhaust Restrictor Plate will be supplied by KA and identified with the stamped mark – 'AKA2A'
 - (iii) Muffler
 - 1) Vortex Mini Rok – In accordance with the Homologation ;
 - 2) Yamaha KT100J - AKA14 Control Muffler
- g) Fuel
 - (i) No Class specific conditions
- h) Transmission
 - (i) Gearbox not permitted

7 Competition Tyres

- a) Dry
 - (i) **Maxxis 190D – Cadet-KA**
 - 1) Front Tyre size must be
 - a. **10 x 4.00-5**
 - 2) Rear Tyre size must be
 - a. **11 x 5.00-5**
- b) Wet
 - (i) **Maxxis MW21**
 - 1) Front Tyre size must be
 - a. **10 x 4.00-5**
 - 2) Rear Tyres must be
 - a. **11 x 5.00-5**
- c) From the commencement of the first qualifying session at a Meeting, only the following Tyres are permitted to be used during a Meeting unless otherwise advised in Supplementary Regulations:
 - (i) one (1) set of Dry Tyres (plus one (1) replacement Dry Tyre if permitted in accordance with

the Rules); and

- (ii) one (1) set of Wet Weather Tyres (plus one (1) replacement Wet Weather Tyre if permitted in accordance with the Rules).

8 Social Karting Tyres

a) Dry

- (i) **Maxxis – 190D – Cadet-KA**
- (ii) **LeCont – LH03 Aus, SVB, SVC**
- (iii) Vega - VAH
- (iv) Bridgestone - DR1 YJL, DR10 YLR ROK, YDS
- (v) Dunlop - DFM, DFH
- (vi) MG - AZ-Red, FZ Prime (Yellow)

b) Wet

- (i) **Maxxis – MW21**
- (ii) **LeCont – SV1**
- (iii) Vega - W2
- (iv) Bridgestone - WER YLP
- (v) Dunlop - KT14W13
- (vi) MG - SW, WT (White)

9 General

a) Minimum Weight including the Driver

- (i) Vortex Mini Rok: 108kg
- (ii) Yamaha KT100J: 105kg

b) Data Logging

- (i) No Class specific conditions.

c) Apparel

- (i) Refer to Technical Rules - Apparel.
- (ii) Rib protectors are mandatory for all Drivers.
- (iii) Neck Braces and chest protectors are recommended for all Drivers.

d) Competition Numbers

- (i) Background: White
- (ii) Numbers: Red

e) Video Camera

- (i) Must have a fully functioning digital video camera (including recording medium) fitted in accordance with the Technical Rules, at all times while on the Track in all National Championship and Cup Meetings.

f) Permitted Modifications

- (i) In accordance with the Homologation.

MiniMax

1 Class

- a) MiniMax

2 Age

- a) Minimum Age: Year of 9th birthday
- b) Maximum Age: Date of 13th birthday

3 Eligibility

- a) Social karting only

4 License Requirements

- a) A Driver must hold a Minimum C Grade Cadet 12 licence

5 Chassis

- a) A Kart must have a Minimum wheelbase of 890mm
- b) A Kart must have a Maximum wheelbase of 1020mm
- c) A Kart must have a Maximum rear axle size of 40mm

6 Drivetrain

- a) Engine
 - (i) Type
 - 1) BRP Rotax Mini Max as Homologated No. 111H - including all ancillary components
 - (ii) The engine must be manufactured by BRP Rotax.
 - (iii) Technical specifications available at karting.net.au
- b) Fuel
 - (i) No Class specific conditions

7 Social Karting Tyres

- a) Dry
 - (i) Maxxis - 190D – Cadet-KA
 - (ii) LeCont - LH03 Aus, SVB, SVC
 - (iii) Vega - VAH
 - (iv) Bridgestone - DR1 YJL, DR10 YLR ROK, YDS
 - (v) Dunlop - DFM, DFH, SL1A, RS1
 - (vi) MG - AZ-Red, FZ Prime (Yellow)
- b) Wet
 - (i) Maxxis - MW21
 - (ii) LeCont – SV1
 - (iii) Vega - W2
 - (iv) Bridgestone - WER YLP
 - (v) Dunlop - KT14W13, KT12SLW2
 - (vi) MG - SW, WT (White)

8 **General**

- a) Minimum weight including the Driver
 - (i) 125kg
- b) Apparel
 - (i) Refer to Technical Rules – Apparel.
 - (ii) Rib protectors are mandatory for all Drivers.
 - (iii) Neck Braces and chest protectors are recommended for all Drivers.
- c) Competition Numbers
 - (i) Background – White
 - (ii) Numbers – Red
- d) Permitted Modifications
 - (i) In accordance with the Homologation

KA4

1 **Class**

- a) KA4

2 **Age**

- a) Junior
 - (i) Minimum Age: Year of 12th birthday
 - (ii) Maximum Age: Date of 16th birthday
- b) Senior
 - (i) Restricted by Licence
 - (ii) Masters division: Minimum of 40 years old to Compete

3 **Competition Eligibility**

- a) Club
- b) Zonal
- c) State Championship, Series, Cup, Trophy
- d) National Championship, Cup

4 **Licence Requirements**

- a) Junior
 - (i) National Championship: Must hold a minimum C Grade Junior licence
 - (ii) All other Competitions: Must hold a Junior licence
- b) Senior
 - (i) Must hold a Senior licence

5 **Chassis**

- a) Must comply with the Rules.
- b) No Class specific conditions

6 **Drivetrain**

- a) Engine
 - (i) Type
 - 1) IAME KA100 as Homologated **No 106H** included all ancillary components
 - a. The engine must be manufactured by IAME and imported into Australia by Remo Racing Pty Ltd
 - (ii) Technical specifications available at karting.net.au
 - (iii) Maximum Number of engines permitted to be used by the Driver from the commencement of the first qualifying session at each Meeting
 - 1) Two (2)
- b) Carburettor
 - (i) In accordance with the Homologation
- c) Induction Noise Silencer
 - (i) In accordance with the Homologation
- d) Exhaust
 - (i) Header Pipe
 - 1) In accordance with the Homologation

- (ii) Restrictor
 - 1) 19mm IAME in accordance with the Homologation
- (iii) Muffler
 - 1) In accordance with the Homologation
- e) Ignition
 - (i) In accordance with the Homologation
- f) Cooling
 - (i) N/A
- g) Transmission
 - (i) Gearbox not permitted
- h) Starter
 - (i) In accordance with the Homologation
- i) Clutch
 - (i) In accordance with the Homologation
- j) Fuel
 - (i) No Class specific conditions

7 7. Competition Tyres

- a) Dry
 - (i) **LeCont LH03 Aus.**
 - 1) Front Tyre size must be
 - a. **10 x 4.50-5**
 - 2) Rear Tyre size must be
 - a. **11 x 7.10-5**
- b) Wet
 - (i) **LeCont SV1**
 - 1) Front Tyre size must be
 - a. **10 x 4.20-5**
 - 2) Rear Tyres size must be
 - a. **11 x 6.00-5**
- c) From the commencement of the first qualifying session at a Meeting, only the following Tyres are permitted to be used during a Meeting unless otherwise advised in Supplementary Regulations:
 - (i) one (1) set of Dry Tyres (plus one (1) replacement Dry Tyre if permitted in accordance with the Rules); and
 - (ii) one (1) set of Wet Weather Tyres (plus one (1) replacement Wet Weather Tyre if permitted in accordance with the Rules).

8 8. Social Karting Tyres

- a) Dry
 - (i) **LeCont – LH03 Aus, SVB, SVC**
 - (ii) **Vega - VAH**
 - (iii) **Bridgestone - DR10 YLR ROK, YDS**
 - (iv) **Dunlop - DFM, DFH**
 - (v) **MG - AZ-Red, FZ Prime (Yellow)**
- b) Wet
 - (i) **Vega - W2**
 - (ii) **Bridgestone - WER YLP**
 - (iii) **Dunlop - KT14W13, KT12SLW2**
 - (iv) **MG - SW, WT (White)**
 - (v) **Mojo - W2, W3**

9 **General**

- a) Weight
 - (i) Minimum Weight including the Driver
 - 1) KA4 Junior - Championship: 132kg
 - 2) KA4 Junior - Light: 128kg
 - 3) KA4 Junior - Heavy: 148kg
 - 4) KA4 Senior - Light: 148kg
 - 5) KA4 Senior - Heavy: 163kg
 - 6) KA4 Masters: 163kg (Unless otherwise specified in State Regulations)
 - (ii) Maximum weight of a Kart excluding the Driver for KA4 Junior Heavy, Senior Heavy and Masters: 96kg
- b) Data Logging
 - (i) No Class specific conditions.
- c) Apparel
 - (i) Refer to Technical Rules - Apparel.
 - (ii) Rib protectors are mandatory for all Junior Drivers.
 - (iii) Neck Braces and chest protectors are recommended for all Junior Drivers.
- d) Competition Numbers
 - (i) Background
 - 1) Junior: White
 - 2) Senior Yellow
 - (ii) Numbers: Black
- e) Video Camera
 - (i) Must have a fully functioning digital video camera (including recording medium) fitted in accordance with the Technical Rules, at all times while on the Track in all National Championship and Cup Meetings.
- f) Permitted Modifications
 - (i) In accordance with the relevant Homologation

KA3

1 **Class**

- a) KA3

2 **Age**

- a) Junior
 - (i) Minimum Age: Year of 13th birthday
 - (ii) Maximum Age: Date of 16th birthday
- b) Senior
 - (i) Restricted by Licence
 - (ii) Masters division: Minimum of 40 years old to Compete

3 **Competition Eligibility**

- a) Club
- b) Zonal
- c) State Championship, Series, Cup, Trophy
- d) National Championship, Cup

4 **Licence Requirements**

- a) Junior
 - (i) Must hold a Minimum B Grade Junior licence
- b) Senior
 - (i) National Championship: Must hold a Minimum C Grade Senior licence
 - (ii) All other Competitions: Must hold a Senior licence

5 **Chassis**

- a) Must comply with the Rules
- b) No Class specific conditions

6 **Drivetrain**

- a) Engine
 - (i) Type
 - 1) IAME KA100 as Homologated **No 106H** included all ancillary components
 - a. The engine must be manufactured by IAME and imported into Australia by Remo Racing Pty Ltd
 - (ii) Technical specifications available at karting.net.au
 - (iii) Maximum Number of engines permitted to be used by the Driver from the commencement of the first qualifying session at each Meeting
 - 1) Two (2)
- b) Carburettor
 - (i) In accordance with the Homologation
- c) Induction Noise Silencer
 - (i) In accordance with the Homologation
- d) Exhaust
 - (i) Header Pipe
 - 1) In accordance with the Homologation

- (ii) Restrictor
 - 1) Unrestricted in accordance with the Homologation
- (iii) Muffler
 - 1) In accordance with the Homologation
- e) Ignition
 - (i) In accordance with the Homologation
- f) Cooling
 - (i) N/A
- g) Transmission
 - (i) Gearbox not permitted
- h) Starter
 - (i) In accordance with the Homologation
- i) Clutch
 - (i) In accordance with the Homologation
- j) Fuel
 - (i) No Class specific conditions

7 7 Competition Tyres

- a) Dry
 - (i) **LeCont LH03 Aus.**
 - 1) Front Tyre size must be
 - a. 10 x 4.50-5
 - 2) Rear Tyre size must be
 - a. 11 x 7.10-5
- b) Wet
 - (i) **LeCont SV1**
 - 1) Front Tyre size must be
 - a. 10 x 4.20-5
 - 2) Rear Tyres size must be
 - a. 11 x 6.00-5
- c) From the commencement of the first qualifying session at a Meeting, only the following Tyres are permitted to be used during a Meeting unless otherwise advised in Supplementary Regulations:
 - (i) one (1) set of Dry Tyres (plus one (1) replacement Dry Tyre if permitted in accordance with the Meeting); and
 - (ii) one (1) set of Wet Weather Tyres (plus one (1) replacement Wet Weather Tyre if permitted in accordance with the Rules).

8 Social Karting Tyres

- a) Dry
 - (i) **LeCont – LH03 Aus, SVB, SVC**
 - (ii) Vega - VAH
 - (iii) Bridgestone - DR10 YLR ROK, YDS
 - (iv) Dunlop - DFM, DFH
 - (v) MG - AZ-Red, FZ Prime (Yellow)
- b) Wet
 - (i) Vega - W2
 - (ii) Bridgestone - WER YLP
 - (iii) Dunlop - KT14W13
 - (iv) MG - SW, WT (White)

9 **General**

- a) Weight
 - (i) Minimum weight including the Driver
 - 1) KA3 Junior: 144kg
 - 2) KA3 Senior - Championship: 159kg
 - 3) KA3 Senior - Light: 149kg
 - 4) KA3 Senior - Medium: 169kg
 - 5) KA3 Senior - Heavy: 189kg (Unless otherwise specified in State Regulations)
 - 6) KA3 Masters: 169kg (Unless otherwise specified in State Regulations)
 - (ii) Maximum weight of a Kart excluding the Driver for KA3 Senior Medium and Senior Heavy, divisions: 97kg
- b) Data Logging
 - (i) No Class specific conditions.
- c) Apparel
 - (i) Refer to Technical Rules - Apparel.
 - (ii) Rib protectors are mandatory for all Junior Drivers.
 - (iii) Neck Braces and chest protectors are recommended for all Junior Drivers.
- d) Competition Numbers
 - (i) Background
 - 1) Junior: White
 - 2) Senior: Yellow
 - (ii) Numbers: Black
- e) Video Camera
 - (i) Must have a fully functioning digital video camera (including recording medium) fitted in accordance with the Technical Rules, at all times while on the Track in all National Championship and Cup Meetings.
- f) Permitted Modifications
 - (i) In accordance with the relevant Homologation

Junior Performance

1 Class

- a) Junior Performance

2 Age

- a) Minimum Age: Year of 13th birthday
- b) Maximum Age: Date of 16th birthday

3 Competition Eligibility

- a) Club
- b) Zonal
- c) State Series, Cup, Trophy

4 Licence Requirements

- a) A Driver must hold a Minimum B Grade Junior licence

5 Chassis

- a) Must comply with the Rules
- b) No Class specific conditions

6 Drivetrain

- a) Engine
 - (i) Type
 - 1) IAME KA100 as Homologated No 106H
 - a. The engine must be manufactured by IAME and imported into Australia by Remo Racing Pty Ltd
 - 2) Vortex Rok DVS Junior as Homologated No 116H
 - a. The engine must be manufactured by Vortex and imported into Australia by Patrizicorse.
 - 3) Rotax Junior Max as Homologated No 112H
 - a. The engine must be manufactured by BRP Rotax.
 - 4) Vortex KF3
 - a. Must comply with Homologation document 39/M/18-KF3
 - b. Must conform to any KA authorised alterations
 - 5) Yamaha KT100S
 - 6) Yamaha KT100SEC
 - 7) ARC Spec 100A
 - 8) ARC Spec 100W
 - (ii) Technical specifications available at karting.net.au
 - (iii) Maximum Number of engines permitted to be used by the Driver from the commencement of the first qualifying session at each Meeting
 - 1) Two (2)
- b) Carburettor
 - (i) In accordance with the relevant engine type Homologation
- c) Induction Noise Silencer
 - (i) In accordance with the relevant engine type Homologation
 - (ii) No Class specific conditions
- d) Exhaust
 - (i) Header Pipe
 - 1) In accordance with the relevant engine type Homologation
 - 2) No Class specific conditions

- (ii) Muffler
 - 1) In accordance with the relevant engine type Homologation
 - 2) Yamaha KT100S/SEC the AKA39 Control Muffler must be used.
- e) Ignition
 - (i) In accordance with the relevant engine type Homologation
 - (ii) Vortex KF3
 - 1) PVL 57/A/15; or
 - 2) PVL/57/A/18
- f) Cooling
 - (i) In accordance with the relevant engine type Homologation
- g) Transmission
 - (i) Gearbox not permitted
- h) Starter
 - (i) In accordance with the relevant engine type Homologation
 - (ii) Yamaha KT100SEC
 - 1) Complete Yamaha KT100SEC system
- i) Clutch
 - (i) In accordance with the relevant engine type Homologation
 - (ii) Yamaha KT100S Short Shaft
 - 1) Strike SSS SL (Short Shaft) (AKA#45)
 - 2) Freeline (AKA#44)
 - 3) Ital Red S (Short Shaft) (Spec1, Spec2,Taperlock)
 - 4) ZEDTEC ZD1 X
 - 5) AKA#52
 - (iii) Yamaha KT100S Long Shaft
 - 1) Tomar TD22 (AKS#56)
 - 2) Strike SSS Evolution (Long Shaft) (AKA#47)
 - 3) Ital Red (Long Shaft) (AKA#55), Spec 3 Taperlock, Spec 4 Taperlock
 - 4) ZEDTEC ZD1 X
 - (iv) Yamaha KT100SEC
 - 1) Strike SSS SL (Short Shaft) (AKA#45)
 - 2) Strike SSS Evolution (Long Shaft) (AKA#47)
 - 3) Freeline (AKA#44)
 - 4) Ital Red S (Short Shaft) (Spec1, Spec2,Taperlock)
 - 5) Yamaha 7YPS (AKA#57)
 - 6) ZEDTEC ZD1 X
 - (v) ARC Spec 100A/100W
 - 1) Strike SSS SL (Short Shaft) (AKA#45)
 - 2) Ital Red S (Short Shaft) (Spec1, Spec2,Taperlock)
 - 3) ARC OEM
 - 4) ZEDTEC ZD1 X
 - 5) AKA#52
- j) Fuel
 - (i) No Class specific conditions

7 Competition Tyres

- a) Dry
 - (i) **LeCont SVB**
 - 1) Front Tyre size must be
 - a. 10 x 4.50-5
 - 2) Rear Tyre size must be
 - a. 11 x 7.10-5
- b) Wet
 - (i) **LeCont SV1**
 - 1) Front Tyre size must be
 - a. 10 x 4.20-5
 - 2) Rear Tyres size must be
 - a. 11 x 6.00-5
- c) From the commencement of the first qualifying session at a Meeting, only the following Tyres are permitted to be used during a Meeting unless otherwise advised in Supplementary Regulations:
 - (i) one (1) set of Dry Tyres (plus one (1) replacement Dry Tyre if permitted in accordance with the Rules); and
 - (ii) one (1) set of Wet Weather Tyres (plus one (1) replacement Wet Weather Tyre if permitted in accordance with the Rules).

8 Social Karting Tyres

- a) Dry
 - (i) **LeCont – LH03 Aus, SVB, SVC**
 - (ii) Vega - VAH
 - (iii) Bridgestone - DR10 YLR ROK, YDS
 - (iv) Dunlop - DFM, DFH
 - (v) MG - AZ-Red, FZ Prime (Yellow)
- b) Wet
 - (i) **LeCont – SV1**
 - (ii) Vega - W2
 - (iii) Bridgestone - WER YLP
 - (iv) Dunlop - KT14W13
 - (v) MG - SW, WT (White)

9 General

- a) Minimum weight including the Driver
 - (i) 100cc Air cooled: 137kg
 - (ii) 100cc Water cooled: 142kg
 - (iii) 125cc Water cooled: 147kg
 - (iv) Vortex KF3: 152kg
- b) Data Logging
 - (i) No Class specific conditions.
- c) Apparel
 - (i) Refer to Technical Rules - Apparel.
 - (ii) Rib protectors are mandatory for all Drivers.
 - (iii) Neck Braces and chest protectors are recommended for all Drivers.
- d) Competition Numbers
 - (i) Background: White
 - (ii) Numbers: Black
- e) Permitted Modifications
 - (i) In accordance with the relevant Homologation

Junior Max

1 Class

- a) Junior Max

2 Age

- a) Minimum Age: Year of 13th birthday
- b) Maximum Age: Date of 16th birthday

3 Eligibility

- a) Competition – Junior Performance and TaG 125 Restricted
- b) Social Karting

4 Licence Requirements

- a) A Driver must hold a Minimum B Grade Junior licence

5 Chassis

- a) Frame
 - (i) Must comply with the Rules

6 Drivetrain

- a) Engine
 - (i) Type
 - 1) BRP-Rotax Junior Max as Homologated No 112H – including all ancillary components
 - (ii) The engine must be manufactured by BRP Rotax.
 - (iii) The engine is sealed using a single AKA seal through nuts complying with the Technical Rules and fitted at three (3) locations:
 - 1) The cylinder head water jacket
 - 2) The upper gearbox case
 - 3) The reed block
 - (iv) Technical specifications available at karting.net.au
 - (v) Maximum Number of engines permitted to be used by the Driver from the commencement of the first qualifying session at each Meeting
 - 1) Two (2)
- b) Fuel
 - (i) No Class specific conditions

7 Competition Tyres

In accordance with Open Junior Performance and Tag 125 Restricted Class Rules

8 **Social Karting Tyres**

a) Dry

- (i) LeCont – LH03 Aus, SVB, SVC
- (ii) Vega - VAH
- (iii) Bridgestone - DR10 YLR ROK, YDS
- (iv) Dunlop - DFM, DFH
- (v) MG - AZ-Red, FZ Prime (Yellow)

b) Wet

- (i) LeCont – SV1
- (ii) Vega - W2
- (iii) Bridgestone - WER YLP
- (iv) Dunlop - KT14W13
- (v) MG - SW, WT (White)
- (vi) Mojo - W2, W3

9 **General**

a) Competition Numbers

- (i) Background: White
- (ii) Numbers: Black

KA2

1 **Class**

- a) KA2

2 **Age**

- a) Minimum Age: Year of 13th birthday
- b) Maximum Age: Date of 16th birthday

3 **Competition Eligibility**

- a) Club
- b) Zonal Championship, Cup
- c) State Championship, Series, Cup, Trophy
- d) National Championship, Cup

4 **Licence Requirements**

- a) National Championship, Cup – Driver must hold a Minimum A Grade Junior licence
- b) All other Competitions - Driver must hold a Minimum B Grade Junior licence

5 **Chassis**

- a) Must comply with the Rules
- b) No Class specific conditions

6 **Drivetrain**

- a) Engine
 - (i) Type
 - 1) Vortex Rok DVS (Junior) as Homologated
 - a. The engine must be manufactured by Vortex and imported into Australia by Patrizicorse.
 - (ii) Homologation documents and technical specifications available at www.karting.net.au
 - (iii) Maximum Number of engines permitted to be used by the Driver from the commencement of the first qualifying session at each Meeting
 - 1) Two (2)
- b) Carburettor
 - (i) In accordance with the Homologation and KA Technical Specifications
- c) Induction Noise Silencer
 - (i) In accordance with the Homologation and KA Technical Specifications
- d) Exhaust
 - (i) In accordance with the Homologation and KA Technical Specifications
 - 1) Header Pipe - In accordance with the Homologation
 - 2) Restrictor Plate - N/A
 - 3) Muffler - In accordance with the Homologation
- e) Ignition
 - (i) In accordance with the Homologation and KA Technical Specifications
- f) Cooling
 - (i) In accordance with the Homologation and KA Technical Specifications
- g) Transmission
 - (i) Gearbox not permitted

- h) Starter
 - (i) N/A
- i) Clutch
 - (i) N/A
- j) Fuel
 - (i) No Class specific conditions

7 **Competition Tyres**

- a) Dry
 - (i) **LeCont SVB**
 - 1) Front Tyre size must be
 - a. 10 x 4.50-5
 - 2) Rear Tyre size must be
 - a. 11 x 7.10-5
- b) Wet
 - (i) **LeCont SV1**
 - 1) Front Tyre size must be
 - a. 10 x 4.20-5
 - 2) Rear Tyre size must be
 - a. 11 x 6.00-5
- c) From the commencement of the first qualifying session at a Meeting, only the following Tyres are permitted to be used during a Meeting unless otherwise advised in Supplementary Regulations:
 - (i) one (1) set of Dry Tyres (plus one (1) replacement Dry Tyre if permitted in accordance with the Rules); and
 - (ii) one (1) set of Wet Weather Tyres (plus one (1) replacement Wet Weather Tyre if permitted in accordance with the Rules).
- d) Dry Tyres must be fitted with Bead retention

8 **Social Karting Tyres**

- a) Dry
 - (i) **LeCont - LH03 Aus, SVB, SVC**
 - (ii) Vega - VAH
 - (iii) Bridgestone - DR10 YLR ROK, YDS
 - (iv) Dunlop - DFM, DFH
 - (v) MG - AZ-Red, FZ Prime (Yellow)
- b) Wet
 - (i) **LeCont – SV1**
 - (ii) Vega - W2
 - (iii) Bridgestone - WER YLP
 - (iv) Dunlop - KT14W13, KT12SLW2
 - (v) MG - SW, WT (White)

9 **General**

- a) Minimum weight including the Driver:
 - (i) Championship - 142kg
 - (ii) State Series, Cup, Trophy, Zonal, Club – 142kg unless otherwise specified in State Regulations.

- b) Data Logging
 - (i) No Class specific conditions.
- c) Apparel
 - (i) Refer to Technical Rules - Apparel.
 - (ii) Rib protectors are mandatory for all Drivers.
 - (iii) Neck Braces and chest protectors are recommended for all Drivers.
- d) Competition Numbers
 - (i) Background: White
 - (ii) Numbers: Black
- e) Video Camera
 - (i) Must have a fully functioning digital video camera (including recording medium) fitted in accordance with the Technical Rules, at all times while on the Track in all National Championship and Cup Meetings.
- f) Permitted Modifications
 - (i) In accordance with the relevant Homologation

IAME X30

1 **Class**

- a) X30

2 **Age**

- a) Restricted by Licence

3 **Competition Eligibility**

- a) Club
- b) Zonal
- c) State Championship, Series, Cup, Trophy
- d) National Championship, Cup, Trophy

4 **Licence Requirements**

- a) A Driver must hold a Minimum B Grade Senior licence

5 **Chassis**

- a) Frame
 - (i) Must comply with the Rules
 - (ii) No Class specific conditions

6 **Drivetrain**

- a) Engine
 - (i) Type
 - 1) IAME X30 as Homologated No 78H/RH
 - (ii) The engine must be manufactured by IAME and imported into Australia by Remo Racing Pty Ltd.
 - (iii) Technical specifications available at karting.net.au
 - (iv) Maximum Number of engines permitted to be used by the Driver from the commencement of the first qualifying session at each Meeting
 - 1) Two (2)
- b) Carburettor
 - (i) In accordance with the Homologation
- c) Induction Noise Silencer
 - (i) Must be fitted in accordance with the Technical Rules
- d) Exhaust
 - (i) Header Pipe
 - 1) In accordance with the Homologation
 - (ii) Restrictor Plate
 - 1) None
 - (iii) Muffler
 - 1) In accordance with the Homologation
- e) Ignition
 - (i) In accordance with the Homologation
- f) Cooling
 - (i) In accordance with the Homologation

- g) Transmission
 - (i) Gearbox not permitted
- h) Starter
 - (i) In accordance with the Homologation
- i) Clutch
 - (i) In accordance with the Homologation
- j) Fuel
 - (i) No Class specific conditions

7 **Competition Tyres**

- a) Dry
 - (i) **LeCont SVC**
 - 1) Front Tyre size must be
 - a. 10 x **4.50-5**
 - 2) Rear Tyre size must be
 - a. 11 x 7.10-5
- b) Wet
 - (i) **LeCont SV1**
 - 1) Front Tyre size must be
 - a. 10 x **4.20-5**
 - 2) Rear Tyre size must be
 - a. 11 x **6.00-5**
- c) From the commencement of the first qualifying session at a Meeting, only the following Tyres are permitted to be used during a Meeting unless otherwise advised in Supplementary Regulations:
 - (i) one (1) set of Dry Tyres (plus one (1) replacement Dry Tyre if permitted in accordance with the Rules); and
 - (ii) one (1) set of Wet Weather Tyres (plus one (1) replacement Wet Weather Tyre if permitted in accordance with the Rules).
- c) Dry Tyres must be fitted with bead retention

8 **Social Karting Tyres**

- a) Dry
 - (i) **LeCont - LH03 Aus, SVB, SVC**
 - (ii) Vega - VAH
 - (iii) Bridgestone - DR10 YLR ROK, YDS
 - (iv) Dunlop - DFM, DFH
 - (v) MG - AZ-Red, FZ Prime (Yellow)
- b) Wet
 - (i) **LeCont – SV1**
 - (ii) Vega - W2
 - (iii) Bridgestone - WER YLP
 - (iv) Dunlop - KT14W13
 - (v) MG - SW, WT (White)

9 **General**

- a) Weight
 - (i) Minimum weight including the Driver
 - 1) X30 Light: 162kg
 - 2) X30 Heavy: 176kg
 - (ii) Maximum weight of a Kart excluding the Driver for the Heavy division: 101kg
- b) Data Logging
 - (i) No Class specific conditions
- c) Apparel
 - (i) Refer to Technical Rules - Apparel
- d) Competition Numbers
 - (i) Background: Yellow
 - (ii) Numbers: Black
- e) Video Camera
 - (i) Must have a fully functioning digital video camera (including recording medium) fitted in accordance with the Technical Rules, at all times while on the Track in all National Championship and Cup Meetings.
- f) Permitted Modifications
 - (i) In accordance with the Homologation

Rotax 125

1 Class

- a) Rotax 125

2 Age

- a) Restricted by Licence

3 Competition Eligibility

- a) Competition - Tag 125, Tag 125 Restricted and Open Performance
- b) Social Karting

4 Licence Requirements

- a) A Driver must hold a Minimum B Grade Senior Licence

5 Chassis

- a) Frame
 - (i) Must comply with the Rules

6 Drivetrain

- a) Engine
 - (i) Type
 - 1) Rotax 125 Max 125 as Homologated No 113H
 - (ii) The engine must be manufactured by BRP Rotax.
 - (iii) The engine is sealed using a single KA seal through nuts complying with the Technical Rules and fitted at three (3) locations:
 - 1) The cylinder head water jacket
 - 2) The upper gearbox case
 - 3) The reed block
 - (iv) Technical specifications available at www.karting.net.au
 - (v) Maximum Number of engines permitted to be used by the Driver from the commencement of the first qualifying session at each Meeting
 - 1) Two (2)
- b) Carburettor
 - (i) In accordance with the Homologation
- c) Induction Noise Silencer
 - (i) In accordance with the Homologation
- d) Exhaust
 - (i) Header Pipe
 - 1) In accordance with the Homologation
 - (ii) Restrictor Plate
 - 1) N/A
 - (iii) Muffler
 - 1) In accordance with the Homologation
- e) Ignition
 - (i) In accordance with the Homologation
- f) Cooling
 - (i) In accordance with the Homologation

- g) Transmission
 - (i) Gearbox not permitted
- h) Starter
 - (i) In accordance with the Homologation
- i) Clutch
 - (i) In accordance with the Homologation
- j) Fuel
 - (i) No Class specific conditions

7 **Competition Tyres**

- a) Dry
 - (i) **According to Class Rules – Chapters: Tag 125, Tag 125 Restricted, Open Performance**
 - 1) Front Tyre size must be
 - 1. 10 x 4.50 - 5
 - 2) Rear Tyre size must be
 - 1. 11 x 7.10 - 5
- b) Wet
 - (i) **According to Class Rules - Chapters: Tag 125, Tag 125 Restricted, Open Performance**
 - 1) Front Tyre size must be
 - 1. 10 x 4.20-5
 - 2) Rear Tyre size must be
 - 1. 11 x 6.00-5
- c) From the commencement of the first qualifying session at a Meeting, only the following Tyres are permitted to be used during a Meeting unless otherwise advised in Supplementary Regulations:
 - (i) one (1) set of Dry Tyres (plus one (1) replacement Dry Tyre if permitted in accordance with the Rules); and
 - (ii) one (1) set of Wet Weather Tyres (plus one (1) replacement Wet Weather Tyre if permitted in accordance with the Rules).
- d) Dry Tyres must be fitted with Bead retention.

8 **Social Karting Tyres**

- a) Dry
 - (i) **LeCont - LH03 Aus, SVB, SVC**
 - (ii) Vega - VAH
 - (iii) Bridgestone - DR10 YLR ROK, YDS
 - (iv) Dunlop - DFM, DFH
 - (v) MG - AZ-Red, FZ Prime (Yellow)
- b) Wet
 - (i) **LeCont – SV1**
 - (ii) Vega - W2
 - (iii) Bridgestone - WER YLP
 - (iv) Dunlop - KT14W13
 - (v) MG - SW, WT (White)

9 **General**

- a) Weight including the driver
 - (i) Minimum weight including the Driver
 - 1) National Series
 - a. Rotax 125 Max Light: 165kg
 - b. Rotax 125 Max Heavy: 180kg
 - 2) Other Meetings
 - a. Rotax 125 Max Light: 160kg
 - b. Rotax 125 Max Heavy: 180kg
 - (ii) Maximum weight of a Kart excluding the Driver for the Heavy division: 100kg
- b) Data Logging
 - (i) No Class specific conditions
- c) Apparel
 - (i) Refer to Technical Rules - Apparel
- d) Competition Numbers
 - (i) Background: Yellow
 - (ii) Numbers: Black
- e) Video Camera
 - (i) Must have a fully functioning digital video camera (including recording medium) fitted in accordance with the Technical Rules, at all times while on the Track in all National Series Meetings.
- f) Permitted Modifications
 - (i) In accordance with the Homologation

TaG 125 Restricted

Note: *Parilla Leopard and SQ Cheetah engine homologations have expired and the engines are only permitted for use in Competition in accordance with State Regulations.*

1 **Class**

- a) TaG 125 Restricted

2 **Age**

- a) Restricted by licence
- b) Masters division: Minimum of 40 years old to Compete

3 **Competition Eligibility**

- a) Club
- b) Zonal
- c) State Championship, Series, Cup, Trophy
- d) National Cup

4 **Licence Requirements**

- a) A Driver must hold a Senior licence
 - (i) National Cup, State Championship, State Series, State Cup, State Trophy Meeting a Driver must hold a Maximum of a C Grade Senior licence or Drivers over 40 years old may hold an A Grade or B Grade licence.
 - (ii) Unless otherwise specified in State Regulations, a Driver who holds an International, National A or B Grade Senior licence may Compete at a Zonal or Club Meeting.

5 **Chassis**

- a) Must comply with the Rules

6 **Drivetrain**

- a) Engine
 - (i) Type
 - 1) IAME X30 125 **as Homologated No. 78H/RH**
 - a. The engine must be manufactured by IAME and imported into Australia by Remo Racing Pty Ltd
 - 2) Rotax Max 125 **as Homologated No 113H**
 - a. The engine must be manufactured by BRP Rotax.
 - 3) Rotax Junior Max **as Homologated No 112H**
 - a. The engine must be manufactured by BRP Rotax.
 - 4) PRD Galaxy **as Homologated No 100H**
 - a. The engine must be manufactured and distributed by St George Kart Centre Wholesale Pty Ltd.
 - 5) Vortex Rok GP **as Homologated No 122H**
 - a. The engine must be manufactured by Vortex and be imported into Australia by Patrizicorse
 - 6) PRD Fireball 125 **as Homologated No 72H**
 - a. The engine must be manufactured and distributed by St George Kart Centre Wholesale Pty Ltd

7) Parilla Leopard 125*

8) SQ Cheetah 125*

(ii) Technical specifications available at karting.net.au

(iii) Maximum Number of engines permitted to be used by the Driver from the commencement of the first qualifying session at each Meeting

1) Two (2)

b) Carburettor

(i) In accordance with the relevant engine type Homologation

c) Induction Noise Silencer

(i) In accordance with the relevant engine type Homologation

d) Exhaust

(i) Header Pipe

1) In accordance with the relevant engine type Homologation

(ii) Restrictor Plate

1) Each engine listed below must be fitted with a KA issued Exhaust Restrictor Plate complying with Rules

1. The Exhaust Restrictor Plate will be supplied by KA and identified with a stamped mark.

2. The Internal Hole in the Exhaust Restrictor Plate must be no larger than the diameter given.

3. Exhaust Restrictor Plates must be measured and sealed to the engine/exhaust prior to Competition.

2) Restrictor Specific to Engine:

1. PRD Fireball 125

i. AKA F2: 27.00mm

2. Parilla Leopard 125/ Selettra Digital K Ignition with black ignition module

i. AKA L1: 23.00mm

3. Parilla Leopard 125 / Selettra Digital K Ignition with green ignition module marked AKA20L

i. AKA L2: 23.80mm

4. IAME X30 125 Type 1 Exhaust System

i. AKAX30: 23.40mm

5. IAME X30 125 Type 2 Exhaust System

i. IAME D22: 22.7mm

6. SQ Cheetah 125

i. AKA SQ1: 25.00mm

7. Rotax Max 125

i. AKA SR3: 23.50mm

8. Rotax Junior Max

i. AKA JR1: 26.00mm SR2: 24.50

9. PRD Galaxy

i. KA-G1: 25.50mm - in accordance with the Homologation

10. Vortex Rok GP

i. AKA R1: 22.00mm

- (iii) Muffler
 - 1) In accordance with the relevant engine type Homologation
- e) Ignition
 - (i) The specific ignition for each engine is:
 - 1) IAME X30 125 In accordance with the Homologation
 - 2) Rotax Max 125 - In accordance with the Homologation
 - 3) Rotax Junior Max - In accordance with the Homologation
 - 4) PRD Galaxy – In accordance with the Homologation
 - 5) Vortex Rok GP – In accordance with the Homologation
 - 6) PRD Fireball 125 - In accordance with the Homologation
 - 7) Parilla Leopard 125 Selettra Digital K Ignition with black ignition module
 - 8) Parilla Leopard 125 Selettra Digital K Ignition with green ignition module marked AKA20L
 - 9) SQ Cheetah 125 - In accordance with the Homologation
- f) Cooling
 - (i) In accordance with the relevant engine type Homologation
- g) Transmission
 - (i) Gearbox not permitted
- h) Starter
 - (i) In accordance with the relevant engine type Homologation
- i) Clutch
 - (i) In accordance with the relevant engine type Homologation
- j) Fuel
 - (i) No Class specific conditions

7 Competition Tyres

- a) Dry
 - (i) **LeCont LH03 Aus**
 - 1) Front Tyre size must be
 - a. 10 x 4.50-5
 - 2) Rear Tyre size must be
 - a. 11 x 7.10-5
- b) Wet
 - (i) **LeCont SV1**
 - 1) Front Tyre size must be
 - a. 10 x 4.20-5
 - 2) Rear Tyre size must be
 - a. 11 x 6.00-5
- c) From the commencement of the first qualifying session at a Meeting, only the following Tyres are permitted to be used during a Meeting unless otherwise advised in Supplementary Regulations:
 - (i) one (1) set of Dry Tyres (plus one (1) replacement Dry Tyre if permitted in accordance with the Rules); and
 - (ii) one (1) set of Wet Weather Tyres (plus one (1) replacement Wet Weather Tyre if permitted in accordance with the Rules).

8 Social Karting Tyres

- a) Dry
 - (i) **LeCont - LH03 Aus, SVB, SVC**
 - (ii) Vega - VAH
 - (iii) Bridgestone - DR10 YLR ROK, YDS

- (iv) Dunlop - DFM, DFH
 - (v) MG - AZ-Red, FZ Prime (Yellow)
- b) Wet
- (i) Current Competition Tyres
 - (ii) LeCont – SV1
 - (iii) Vega - W2
 - (iii) Bridgestone - WER YLP
 - (iv) Dunlop - KT14W13
 - (v) MG - SW, WT (White)

9 General

- a) Weight
- (i) Minimum weight including the Driver
 - 1) TaG 125 Restricted Light:
 - a. Rotax 160kg
 - b. IAME X30 160kg
 - c. Vortex Rok GP 160kg
 - d. All other engines: 160kg
 - 2) TaG 125 Restricted Medium:
 - a. Rotax 180kg
 - b. IAME X30 180kg
 - c. Vortex Rok GP 180kg
 - d. All other engines: 180kg
 - 3) TaG 125 Restricted Heavy: (Unless otherwise specified in State Regulations)
 - a. Rotax 200kg
 - b. IAME X30 200kg
 - c. All other engines: 200kg
 - d. Vortex Rok GP 200kg
 - e. Note: Wherever run, it should, be consolidated with the Medium Division or such other permitted Class/Division in accordance with the Rules.
 - 4) TaG 125 Restricted Masters:
 - a. Rotax 180kg
 - b. IAME X30 180kg
 - c. Vortex Rok GP 180kg
 - d. All other engines: 180kg
 - (ii) Maximum weight of the Kart excluding the Driver for the Medium and Heavy Division: 102kg
- b) Data Logging
- (i) No Class specific conditions
- c) Apparel
- (i) Refer to Technical Rules - Apparel
- d) Competition Numbers
- (i) Background: Yellow
 - (ii) Numbers: Black
- e) Permitted Modifications
- (i) In accordance with the relevant Homologation

TaG 125

Note: Parilla Leopard and SQ Cheetah engine homologations have expired and the engines are only permitted for use in Competition in accordance with State Regulations.

1 Class

- a) TaG 125

2 Age

- a) Restricted by Licence
- b) Masters division: Minimum of 40 years old to Compete

3 Competition Eligibility

- a) Club
- b) Zonal
- c) State Championship, Series, Cup, Trophy
- d) National Championship, Cup

4 Licence Requirements

- a) A Driver must hold a Minimum of a B Grade Senior licence

5 Chassis

- a) Must comply with the Rules

6 Drivetrain

- a) Engine
 - (i) Type
 - 1) IAME X30 125 as Homologated No 78H/RH
 - a. The engine must be manufactured by IAME and imported into Australia by Remo Racing Pty Ltd.
 - 2) Rotax Max 125 as Homologated No 113H
 - a. The engine must be manufactured by BRP Rotax.
 - 3) PRD Galaxy as Homologated No 100H
 - a. The engine must be manufactured and distributed by St George Kart Centre Wholesale Pty Ltd.
 - 4) Vortex Rok GP as Homologated No 122H
 - a. The engine must be manufactured by Vortex and imported into Australia by Patrizicorse
 - 5) PRD Fireball 125 as Homologated No 72H
 - 6) Parilla Leopard 125*
 - 7) SQ Cheetah 125*
 - (ii) Technical specifications available at karting.net.au
 - (iii) Maximum Number of engines permitted to be used by the Driver from the commencement of the first qualifying session at each Meeting
 - 1) Two (2)
- b) Carburettor
 - (i) In accordance with the relevant engine type Homologation

- c) Induction Noise Silencer
 - (i) In accordance with the relevant engine type Homologation
- d) Exhaust
 - (i) Header Pipe
 - 1) In accordance with the relevant engine type Homologation
 - (ii) Restrictor Plate
 - 1) In accordance with the homologation **Vortex Rok GP—KA R2 32.0mm**
 - (iii) Muffler
 - 1) In accordance with the relevant engine type Homologation
- e) Ignition
 - (i) In accordance with the relevant engine type Homologation
- f) Cooling
 - (i) In accordance with the relevant engine type Homologation
- g) Transmission
 - (i) Gearbox not permitted
- h) Starter
 - (i) In accordance with the relevant engine type Homologation
- i) Clutch
 - (i) In accordance with the relevant engine type Homologation
- j) Fuel
 - (i) No Class specific conditions

7 Competition Tyres

- a) Dry
 - (i) **LeCont SVB**
 - 1) Front Tyre size must be
 - a. 10 x 4.50-5
 - 2) Rear Tyre size must be
 - a. 11 x 7.10-5
- b) Wet
 - (i) **LeCont SV1**
 - 1) Front Tyre size must be
 - a. 10 x 4.20-5
 - 2) Rear Tyre size must be
 - a. 11 x 6.00-5
- c) From the commencement of the first qualifying session at a Meeting, only the following Tyres are permitted to be used during a Meeting unless otherwise advised in Supplementary Regulations:
 - (i) one (1) set of Dry Tyres (plus one (1) replacement Dry Tyre if permitted in accordance with the Rules); and
 - (ii) one (1) set of Wet Weather Tyres (plus one (1) replacement Wet Weather Tyre if permitted in accordance with the Rules).
- d) Dry Tyres must be fitted with Bead retention

8 Social Karting Tyres

- a) Dry
- (i) LeCont - LH03 Aus, SVB, SVC
 - (ii) Vega - VAH
 - (iii) Bridgestone - DR10 YLR ROK, YDS
 - (iv) Dunlop - DFM, DFH
 - (v) MG - AZ-Red, FZ Prime (Yellow)
- b) Wet
- (i) LeCont – SV1
 - (ii) Vega - W2
 - (iii) Bridgestone - WER YLP
 - (iv) Dunlop - KT14W13
 - (v) MG - SW, WT (White)

9 General

- a) Weight
- (i) The Minimum weight including Driver
 - 1) Championship
 - a. IAME X30 125: 170kg
 - b. Rotax Max 125: 172kg
 - c. PRD Galaxy: 170kg
 - d. Vortex Rok GP: 175kg
 - e. PRD Fireball 125: 160kg
 - 2) Light
 - a. IAME X30 125: 160kg
 - b. Rotax Max 125: 162kg
 - c. PRD Galaxy: 160kg
 - d. Vortex Rok GP: 165kg
 - e. PRD Fireball 125: 150kg
 - f. Parilla Leopard 125: 155kg
 - g. SQ Cheetah 125: 155kg
 - 3) Heavy
 - a. IAME X30 125: 180kg
 - b. Rotax Max 125: 182kg
 - c. PRD Galaxy: 180kg
 - d. Vortex Rok GP: 185kg
 - e. PRD Fireball 125: 170kg
 - f. Parilla Leopard 125: 175kg
 - g. SQ Cheetah 125: 175kg
 - 4) Masters
 - a. IAME X30 125: 180kg
 - b. Rotax Max 125: 182kg
 - c. PRD Galaxy: 180kg
 - d. Vortex Rok GP: 185kg
 - e. PRD Fireball 125: 170kg
 - f. Parilla Leopard 125: 175kg
 - g. SQ Cheetah 125: 175kg

- (ii) Maximum weight of the Kart excluding the Driver for the Heavy Division: 102kg.
- b) Data Logging
 - (i) No Class specific conditions
- c) Apparel
 - (i) Refer to Technical Rules - Apparel
- d) Competition Numbers
 - (i) Background: Yellow
 - (ii) Numbers: Black
- e) Video Camera
 - (i) Must have a fully functioning digital video camera (including recording medium) fitted in accordance with the Technical Rules, at all times while on the Track in all National Championship and Cup Meetings.
- f) Permitted Modifications
 - (i) In accordance with the relevant Homologation

DD2

1 **Class**

- a) DD2

2 **Age**

- a) Determined by Licence
- b) Masters division: Minimum of 32 years old to Compete

3 **Eligibility**

- a) **Competition – DD2, Gearbox, Open Performance**
 - (i) Club
 - (ii) Zonal
 - (iii) State – Series, Cup, Trophy, Championship
- b) **Social Karting**

4 **Licence Requirements**

- a) A Driver must hold a Minimum of a B Grade Senior Licence

5 **Chassis**

- a) Must use a DD2 specific chassis with front brakes
- b) Chassis must be fitted with either:
 - a. A rear tyre protection system in accordance with the Homologation; or
 - b. Rear Impact Protection

6 **Drivetrain**

- a) Engine
 - (i) Type
 - 1) 125cc Max DD2 as Homologated No 114H
 - (ii) The engine must be manufactured by BRP Rotax.
 - (iii) Technical specifications available at karting.net.au
 - (iv) Maximum Number of engines permitted to be used by the Driver from the commencement of the first qualifying session at each Meeting
 - 1) Two (2)
- b) Carburettor
 - (i) In accordance with the Homologation
- c) Induction Noise Silencer
 - (i) In accordance with the Homologation
- d) Exhaust
 - (i) Header Pipe
 - 1) In accordance with the Homologation
 - (ii) Restrictor Plate
 - 1) N/A
 - (iii) Muffler
 - 1) In accordance with the Homologation
- e) Ignition
 - (i) In accordance with the Homologation

- f) Cooling
 - (i) In accordance with the Homologation
- g) Transmission
 - (i) Must have a two (2) speed gearbox only with a chainless drive system in accordance with the Homologation
- h) Starter
 - (i) In accordance with the Homologation
- i) Clutch
 - (i) In accordance with the Homologation
- j) Fuel
 - (i) No Class specific conditions

7 **Competition Tyres**

- a) Dry
 - (i) **LeCont SVC**
 - 1) Front Tyre size must be
 - a. **10 x 4.50 - 5**
 - 2) Rear Tyre size must be
 - a. **11 x 7.10 - 5**
- b) Wet
 - (i) **LeCont SV1**
 - 1) Front Tyre size must be
 - a. 10 x **4.20-5**
 - 2) Rear Tyre size must be
 - a. 11 x 6.00-5
- c) From the commencement of the first qualifying session at a Meeting, only the following Tyres are permitted to be used during a Meeting unless otherwise advised in Supplementary Regulations:
 - (i) one (1) set of Dry Tyres (plus one (1) replacement Dry Tyre if permitted in accordance with the Rules); and
 - (ii) one (1) set of Wet Weather Tyres (plus one (1) replacement Wet Weather Tyre if permitted in accordance with the Rules).
- d) Dry Tyres must be fitted with Bead retention

8 **Social Karting Tyres**

- a) Dry
 - (i) **LeCont - LH03 Aus, SVB, SVC**
 - (ii) Vega - VAH
 - (iii) Bridgestone - DR10 YLR ROK, YDS
 - (iv) Dunlop - DFM, DFH
 - (v) MG - AZ-Red, FZ Prime (Yellow)
- b) Wet
 - (i) Vega - W2
 - (ii) Bridgestone - WER YLP
 - (iii) Dunlop - KT14W13
 - (iv) MG - SW, WT (White)
 - (v) Mojo - W2, W3

9 **General**

- a) Minimum weight including the Driver
 - (i) DD2 Open: 173kg
 - (ii) DD2 Masters: 180kg
- b) Data Logging
 - (i) No Class specific conditions
- c) Apparel
 - (i) Refer to Technical Rules - Apparel
- d) Competition Numbers
 - (i) Background: Yellow
 - (ii) Numbers: Black
- e) Video Camera
 - (i) At a National Series Meeting must have a fully functioning digital video camera (including recording medium) fitted in accordance with the Technical Rules, at all times while on the Track
- f) Permitted Modifications
 - (i) In accordance with the Homologation

Vortex Rok GP

1 Class

- a) Rok GP

2 Age

- a) Light: Restricted by Licence
- b) Masters: Minimum of 32 years old.
 - (i) Drivers under the age of 32 years are eligible to compete if their minimum weight, including all compulsory safety equipment is 85kg or above

3 Competition Eligibility

- a) Club
- b) Zonal
- c) State, Series, Cup, Trophy
- d) National Series, Cup

4 Licence Requirements

- a) A Driver must hold a Minimum B Grade Senior licence

5 Chassis

- a) Must comply with the Rules
- b) No Class specific conditions

6 Drivetrain

- a) Engine
 - (i) Type
 - 1) Vortex Rok GP 125 as Homologated No 122H
 - a. The engine must be manufactured by Vortex and imported into Australia by Patrizicorse.
 - (ii) Each engine must comply with Homologation documents
 - (iii) Each engine must conform to any KA authorised alterations
 - (iv) Technical specifications available at www.karting.net.au
 - (v) Maximum Number of engines permitted to be used by the Driver from the commencement of the first qualifying session at each Meeting
 - 1) Two (2)
- b) Carburettor
 - (i) In accordance with the relevant engine Homologation and KA Technical Specifications
- c) Induction Noise Silencer
 - (i) In accordance with the relevant engine Homologation and KA Technical Specifications
- d) Exhaust
 - (i) Header Pipe
 - 1) In accordance with the relevant engine Homologation
 - (ii) Restrictor Plate
 - 1) N/A
 - (iii) Muffler
 - 1) In accordance with the relevant engine Homologation

- e) Ignition
 - (i) In accordance with the relevant engine Homologation
- f) Cooling
 - (i) In accordance with the relevant engine Homologation
- g) Transmission
 - (i) In accordance with the relevant engine Homologation
- h) Starter
 - (i) In accordance with the relevant engine Homologation
- i) Clutch
 - (i) In accordance with the relevant engine Homologation
- j) Fuel
 - (i) Pump Fuel or
 - (ii) Unleaded Racing Fuel

7 Competition Tyres

- a) Dry
 - (i) LeCont SVC
 - 1) Front Tyre size must be
 - a. 10 x 4.50-5
 - 2) Rear Tyre size must be
 - a. 11 x 7.10-5
- b) Wet
 - (i) LeCont SV1
 - 1) Front Tyre size must be
 - a. 10 x 4.20-5
 - 2) Rear Tyre size must be
 - a. 11 x 6.00-5
- c) For all other Competitions: From the commencement of the first qualifying session at a Meeting, only the following Tyres are permitted to be used during a Meeting unless otherwise advised in Supplementary Regulations:
 - (i) two (2) sets of Dry Tyres; and
 - (ii) two (2) sets of Wet Weather Tyres.
- d) Dry Tyres must be fitted with bead retention

8 Social Karting Tyres

- a) Dry
 - (i) LeCont - LH03 Aus, SVB, SVC
 - (ii) Vega - VAH
 - (iii) Bridgestone - DR10 YLR ROK, YDS
 - (iv) Dunlop - DFM, DFH
 - (v) MG - AZ-Red, FZ Prime (Yellow)
- b) Wet
 - (i) LeCont – SV1
 - (ii) Vega - W2
 - (iii) Bridgestone - WER YLP
 - (iv) Dunlop - KT14W13
 - (v) MG - SW, WT (White)

9 **General**

- a) Minimum weight including the Driver
 - (i) Light 162kg Heavy: 180kg
 - (ii) Masters: 180kg
- b) Data Logging
 - (i) No class specific conditions
- c) Apparel
 - (i) Refer to Technical Rules - Apparel
- d) Competition Numbers
 - (i) Background: Yellow
 - (ii) Numbers: Black
- e) Video Camera
 - (i) Must have a fully functioning digital video camera (including recording medium) fitted in accordance with the Technical Rules, at all times while on the Track in all National Series and Cup Meetings.
- e) Permitted Modifications
 - (i) In accordance with the relevant Homologation

KZ2

1 **Class**

- a) KZ2

2 **Age**

- a) Restricted by Licence

3 **Competition Eligibility**

- a) Club
- b) Zonal
- c) State Championship, Series, Cup, Trophy
- d) National Championship, Cup

4 **Licence Requirements**

- a) National Championship, Cup - a Driver must hold a Minimum A Grade Senior licence
- b) National Championship, Cup – Trophy Division, a Driver must hold a Minimum B Grade Senior licence
- c) All other Competitions - a Driver must hold a Minimum B Grade Senior licence.

5 **Chassis**

- a) Must comply with the Rules
- b) No Class specific conditions

6 **Drivetrain**

- a) Engine
 - (i) Type
 - 1) 125cc water cooled, single cylinder, reed valve
 - a. Any engine currently or previously Homologated by CIK-FIA or Approved by KA for KZ2 Competition
 - b. Must comply with CIK-FIA Homologation Documents
 - c. The Competitor must at all times have a copy of the Homologation and/or approval documents relating to the engine and exhaust being used.
 - d. Carburettor – Dell’Orto VSHS 30
 - (ii) Technical specifications available at karting.net.au
 - (iii) Maximum Number of engines permitted to be used by the Driver from the commencement of the first qualifying session at each Meeting
 - 1) National Championship, Cup - Three (3)
 - 2) All other Competitions – Two (2)
 - b) Carburettor
 - (i) Dell’Orto VSHS 30 – in accordance with the Homologation
 - c) Induction Noise Silencer
 - (i) In accordance with the Homologation and KA Technical Specifications
 - d) Exhaust
 - (i) Header Pipe
 - 1) In accordance with the Homologation

- (ii) Restrictor Plate
 - 1) N/A
- (iii) Muffler
 - 1) In accordance with the Homologation
- e) Ignition
 - (i) Must be an analogue type which is CIK-FIA Homologated
- f) Cooling
 - (i) In accordance with the Homologation and KA Technical Specifications
- g) Transmission
 - (i) CIK-FIA Homologated
- h) Starter
 - (i) In accordance with the Homologation
- i) Clutch
 - (i) In accordance with the Homologation
- j) Fuel
 - (i) Pump Fuel or
 - (ii) Unleaded Racing Fuel

7 Competition Tyres

- a) Dry
 - (i) **LeCont SVC**
 - 1) Front Tyre size must be
 - a. 10 x 4.50-5
 - 2) Rear Tyre size must be
 - a. 11 x 7.10-5
- b) Wet
 - (i) **LeCont SV1**
 - 1) Front Tyre size must be
 - a. 10 x 4.20-5
 - 2) Rear Tyre size must be
 - a. 11 x 6.00-5
- c) For National Championship and Cup Meetings: From the commencement of the first qualifying session at a Meeting, only the following Tyres are permitted to be used during a Meeting unless otherwise advised in Supplementary Regulations:
 - (i) two (2) sets of Dry Tyres; and
 - (ii) two (2) sets of Wet Weather Tyres.
- d) For all other Competitions: From the commencement of the first qualifying session at a Meeting, only the following Tyres are permitted to be used during a Meeting unless otherwise advised in Supplementary Regulations:
 - (i) one (1) set of Dry Tyres (plus one (1) replacement Tyre if permitted in accordance with the Rules); and
 - (ii) one (1) set of Wet Weather Tyres (plus one (1) replacement Wet Weather Tyre if permitted in accordance with the Rules).
- e) Dry Tyres must be fitted with bead retention

8 Social Karting Tyres

- a) Dry
 - (i) Current Competition Tyres
 - (ii) LeCont - LH03 Aus, SVB, SVC
 - (iii) Vega - VAH
 - (iv) Bridgestone - DR10 YLR ROK, YDS
 - (v) Dunlop - DFM, DFH
 - (vi) MG - AZ-Red, FZ Prime (Yellow)
- b) Wet
 - (i) Current Competition Tyres
 - (ii) LeCont – SV1
 - (iii) Vega - W2
 - (iv) Bridgestone - WER YLP
 - (v) Dunlop - KT14W13
 - (vi) MG - SW, WT (White)

9 General

- a) Minimum weight including the Driver
 - (i) 177kg unless otherwise specified in State or Supplementary Regulations
- b) Data Logging
 - (i) No Class specific conditions
- c) Apparel
 - (i) Refer to Technical Rules - Apparel
- d) Competition Numbers
 - (i) Background: Yellow
 - (ii) Number: Black
- e) Video Camera
 - (i) Must have a fully functioning digital video camera (including recording medium) fitted in accordance with the Technical Rules, at all times while on the Track in all National Championship and Cup Meetings
- f) Permitted Modifications
 - (i) In accordance with the Homologation

Open Performance

1 Class

- a) Open Performance

2 Age

- a) Restricted by Licence

3 Competition Eligibility

- a) Club
- b) Zonal
- c) State Championship, Series, Cup, Trophy

4 Licence Requirements

- a) A Driver must hold a Minimum B Grade Senior licence unless a Driver is the Kart is powered by a four (4) stroke engine(s) wherein a Driver must hold a Minimum C Grade Senior licence.

5 Chassis

- a) Must comply with the Rules
- b) Front wheel braking is permitted.

6 Drivetrain

- a) Engine
 - (i) Vortex Rok DVS SV (Senior) as Homologated **No 119H**
 - 1) The engine must be manufactured by Vortex and imported into Australia by Patrizicorse; or
 - (ii) Vortex Rok Shifter as Homologated **No 123H**
 - 1) The engine must be manufactured by Vortex and imported into Australia by Patrizicorse Pty Ltd
 - (iii) IAME Super X30 as Homologated **No 118H**
 - 1) The engine must be manufactured by IAME and imported into Australia by Remo Racing Pty Ltd.
 - (iv) IAME Super X30 Shifter as Homologated **No 117H**
 - 1) The engine must be manufactured by IAME and imported into Australia by Remo Racing Pty Ltd.
 - (v) Torini TC 250 Factory Sealed as Homologated **No 108H**
 - 1) The engine must be manufactured by Austech Industries Pty Ltd.
 - (vi) May be either two (2) or four (4) stroke
 - 1) Two (2) Stroke
 - a. Must be no more than 255cc total cylinder volume when two (2) 125cc KA Homologated and/or KA Approved engines of the same brand and model are used at the same time.
 - Both engines including ancillaries must conform to the Homologation or KA Approval documents.
 - b. Must be no more than 206cc total cylinder volume for a single engine.
 - 2) Four (4) Stroke
 - a. Must be no more than 430cc total cylinder volume when two (2) Torini TC250 engines are used at the same time.

- (vii) Must be a series Production Engine
- (viii) Must be KA or CIK-FIA Homologated and/or KA Approval
- (ix) A Kart may have no more than two (2) engines fitted at one time.
- (x) May be either air or water cooled.
- (xi) Technical specifications available at karting.net.au
- (xii) Maximum Number of engines permitted to be used by the Driver from the commencement of the first qualifying session at each Meeting
 - 1) Single Engine
 - a. Two (2)
 - 2) Twin Engine
 - a. Four (4)
- b) Carburettor
 - (i) Must have one (1) single throat carburettor per cylinder.
- c) Induction Noise Silencer
 - (i) In accordance with the relevant engine homologation; or
 - (ii) If the AKA43 is used it must be in accordance with the Rules.
- d) Exhaust
 - (i) Header Pipe
 - 1) In accordance with the relevant engine Homologation
 - (ii) Restrictor Plate
 - 1) N/A
 - (iii) Muffler
 - 1) In accordance with the relevant engine Homologation
 - 2) Twin engine installations exhaust systems may be modified to suit the installation and packaging requirements.
 - a. The overall lengths must remain within +/-2mm of the original for each individual cut.
 - b. Concave relief of the muffler/silencer is permitted to provide a smaller overall packaging space.
- e) Ignition System
 - (i) Digital Ignition Systems are only permitted of the same type and style as the OEM system.
- f) Cooling
 - (i) If the type of cooling system is included in the relevant engine Homologation it must be used.
 - (ii) For all other engine types the cooling system is free.
- g) Transmission
 - (i) CIK-FIA Homologated
- h) Starter
 - (i) No Class specific definitions
- i) Clutch
 - (i) No Class specific definitions
- j) Fuel
 - (i) No Class specific conditions

7 Competition Tyres

- a) Dry
 - (i) **LeCont SVC**
 - 1) Front Tyre size must be
 - a. 10 x 4.50-5
 - 2) Rear Tyre size must be
 - a. 11 x 7.10-5
- c) Wet
 - (i) **LeCont SV1**
 - 1) Front Tyre size must be
 - a. 10 x 4.20-5
 - 2) Rear Tyre size must be
 - a. 11 x 6.00-5
- d) From the commencement of the first qualifying session at a Meeting, only the following Tyres are permitted to be used during a Meeting unless otherwise advised in Supplementary Regulations:
 - (i) one (1) set of Dry Tyres (plus one (1) replacement Tyre if permitted in accordance with the Rules); and
 - (ii) one (1) set of Wet Weather Tyres (plus one (1) replacement Wet Weather Tyre if permitted in accordance with the Rules).
- e) Must be fitted with bead retention.

8 Social Karting Tyres

- a) Dry
 - (i) **LeCont - LH03 Aus, SVB, SVC**
 - (ii) Vega - VAH
 - (iii) Bridgestone - DR10 YLR ROK, YDS
 - (iv) Dunlop - DFM, DFH
 - (v) MG - AZ-Red, FZ Prime (Yellow)
- b) Wet
 - Current Competition Tyres**
 - (i) **LeCont - SV1**
 - (ii) Vega - W2
 - (iii) Bridgestone - WER YLP
 - (iv) Dunlop - KT14W13
 - (v) MG - SW, WT (White)

9 General

- a) Minimum weight including the Driver, will be specified in State Regulations or the Supplementary Regulations for a Meeting
 - (i) Minimum weights may be altered during a Meeting to equalise performance.
- b) Data Logging
 - (i) No Class specific conditions
- c) Apparel
 - (i) Refer to Technical Rules - Apparel
- d) Competition Numbers
 - (i) Background: Yellow
 - (ii) Numbers: Black
- e) Permitted Modifications
 - (i) In accordance with the relevant Homologation

Gearbox

1 Class

- a) Gearbox

2 Age

- a) Restricted by Licence

3 Competition Eligibility

- a) Club
- b) Zonal
- c) State Series, Cup, Trophy

4 Licence Requirements

- a) A Driver must hold a Minimum B Grade Senior licence.

5 Chassis

- a) Must comply with the Rules
- b) Front wheel braking is permitted.

6 Drivetrain

- a) Engine
 - (i) Type
 - (i) Any engine currently or previously Homologated by CIK-FIA or Approved by KA for KZ2 Competition
 - a. Must comply with CIK-FIA Homologation Documents
 - b. The Competitor must at all times have a copy of the Homologation and/or approval documents relating to the engine and exhaust being used.
 - c. Carburettor – Dell’Orto VSH 30
 - (ii) IAME Super X30 Shifter as Homologated No 117H
 - a. The engine must be manufactured by IAME and imported into Australia by Remo Racing Pty Ltd.
 - (iii) Vortex Rok Shifter as Homologated No 123H
 - a) The engine must be manufactured by Vortex and imported into Australia by Patrizicorse Pty Ltd
 - (iv) Rotax DD2 as Homologated No 114H
 - a. The engine must be manufactured by BRP Rotax.
 - b) Carburettor
 - (i) In accordance with the relevant engine Homologation.
 - c) Induction Noise Silencer
 - (i) In accordance with the relevant engine Homologation.
 - d) Exhaust
 - (i) Header Pipe
 - a. In accordance with the relevant engine Homologation
 - (ii) Muffler
 - a. In accordance with the relevant engine Homologation
 - e) Ignition System
 - (i) In accordance with the relevant engine Homologation.

- f) Cooling
 - (i) If the type of cooling system is included in the relevant engine Homologation, it must be used.
 - (ii) For all other engine types, the cooling system is free.
- g) Transmission
 - (i) In accordance with the relevant engine Homologation.
- h) Starter
 - (i) No Class specific definitions
- i) Clutch
 - (i) No Class specific definitions
- j) Fuel
 - (i) No Class specific conditions

7 Competition Tyres

- a) Dry
 - (i) LeCont SVC
 - 1) Front Tyre size must be
 - a. 10 x 4.50 - 5
 - 1. Rear Tyre size must be
 - a. 11 x 7.10 - 5
- b) Wet
 - (i) LeCont SV1
 - 1. Front Tyre size must be
 - a. 10 x 4.20 - 5
 - 2. Rear Tyre size must be
 - a. 11 x 6.00 - 5
- c) From the commencement of the first qualifying session at a Meeting, only the following Tyres are permitted to be used during a Meeting unless otherwise advised in Supplementary Regulations:
 - (i) one (1) set of Dry Tyres (plus one (1) replacement Tyre if permitted in accordance with the Rules); and
 - (ii) one (1) set of Wet Weather Tyres (plus one (1) replacement Wet Weather Tyre if permitted in accordance with the Rules).
- d) Must be fitted with bead retention.

8 Social Karting Tyres

- a) Dry
 - Current Competition Tyres
 - (i) LeCont - LH03 Aus, SVB, SVC
 - (ii) Vega - VAH
 - (iii) Bridgestone - DR10 YLR ROK, YDS
 - (iv) Dunlop - DFM, DFH
 - (v) MG - AZ-Red, FZ Prime (Yellow)
- b) Wet
 - Current Competition Tyres
 - (i) LeCont - SV1
 - (ii) Vega - W2
 - (iii) Bridgestone - WER YLP
 - (iv) Dunlop - KT14W13
 - (v) MG - WT (White)

9 **General**

- a) Minimum weight including the Driver,
 - (i) All Competitions: 180kg unless otherwise specified in State Regulations or Supplementary Regulations for a Meeting.
 - (ii) Other than at State Series Meetings, minimum weights may be altered during a Meeting to equalise performance.
- b) Data Logging
 - (i) No Class specific conditions
- c) Apparel
 - (i) Refer to Technical Rules - Apparel
- d) Competition Numbers
 - (i) Background: Yellow
 - (ii) Numbers: Black
- e) Start Procedure
 - (i) The Start Procedure will be in accordance with Competition Rules Chapter 1 Rule 22 e) – Standing Starts unless otherwise specified in State Regulations or Supplementary Regulations for a Meeting.
 - (ii) In the interest of safety, Karts fitted with a DD2 engine must be gridded at the rear of the entire Field for the Start.
- f) Permitted Modifications
 - (ii) In accordance with the relevant Homologation

Yamaha

1 Class

- a) Yamaha

2 Age

- a) Junior
 - (i) Minimum Age: Year of 13th birthday
 - (ii) Maximum Age: Date of 16th birthday
- b) Senior
 - (i) Restricted by Licence
 - (ii) Masters division: Minimum of 40 years old to Compete

3 Competition Eligibility

- a) Club
- b) Zonal – Unless otherwise specified in State Regulations

4 Licence Requirements

- a) Junior
 - (i) Yamaha KT100J: Must hold a Junior Licence
 - (ii) All other Engines: Must hold a Minimum B Grade Junior Licence
- b) Senior
 - (i) Must hold a Senior licence

5 Chassis

- a) Frame
 - (i) Must comply with the Rules
 - (ii) No Class specific conditions
- b) Wheels - Yamaha KT100SEC
 - (i) The following Wheels and Wheel Hubs must be used on a Kart fitted with a KT100SEC engine:
 - 1) Front: Edward Spoke F117S-5FUT
 - 2) Rear: Edward Spoke R200-5FUT
 - 3) Wheel Hubs must be aluminium

6 Drivetrain

- a) Engine
- b) All engines listed below are permitted in either the Junior Division or Senior Division.
 - (i) Type
 - 1) Yamaha KT100J
 - 2) Yamaha KT100SEC
 - a. Must run with clutch and complete KT100SEC starter system
 - 3) Yamaha KT100SE
 - 4) Yamaha KT100SD

- (ii) The following components must not be interchanged between the KT100SEC and the KT100SE and KT100SD engines:
 - 1) Crankshaft Halves
 - 2) Cylinder
 - 3) Crankcases
 - 4) Ignition rotor
 - 5) Ignition stator
 - 6) Ignition stator carrier plate
- (iii) All Yamaha KT100SEC, KT100SE and KT100SD engines must be fitted with a fin dampening system.
- (iv) Technical specifications available at karting.net.au
- (v) Maximum Number of engines permitted to be used by the Driver from the commencement of the first qualifying session at each Meeting
 - 1) Two (2)
- c) Carburettor
 - (i) Walbro WB Series in accordance with the Technical Rules.
- d) Induction Noise Silencer
 - (i) AKA43 Homologated Assembly.
- e) Exhaust
 - (i) Header Pipe
 - 1) In accordance with the Technical Rules
 - (ii) Restrictor
 - 1) Not required
 - (iii) Muffler
 - 1) KT100J: In accordance with the Homologation otherwise the AKA14 Control Muffler must be used
 - 2) All other engines: AKA39 Control Muffler.
- f) Ignition
 - (i) Yamaha KT100SEC
 - 1) Complete Yamaha KT100SEC system
 - (ii) All other engines - In accordance with the Homologation
- g) Cooling
 - (i) N/A
- h) Transmission
 - (i) Gearbox not permitted
- i) Starter
 - (i) Yamaha KT100SEC
 - 1) Complete Yamaha KT100SEC system must be used
 - (ii) All other engines – not permitted
- j) Clutch
 - (i) Yamaha KT100J
 - 1) Tomar TD22 (AKA#56)
 - 2) Strike SS SSL (AKA#38)
 - 3) Ital Red (Long Shaft) (AKA#55), Spec 3 Taperlock, Spec 4 Taperlock
 - 4) ZEDTEC ZD1 X
 - 5) AKA#52

- (ii) Yamaha KT100S Short Shaft
 - 1) Strike SSS SL (AKA#45)
 - 2) Freeline (AKA#44)
 - 3) Ital Red S (Spec1, Spec2, Taperlock)
 - 4) ZEDTEC ZD1 X
 - 5) AKA#52
- (iii) Yamaha KT100S Long Shaft
 - 1) Tomar TD22 (AKS#56)
 - 2) Strike SSS Evolution (AKA#47)
 - 3) Ital Red (AKA#55), Spec 3 Taperlock, Spec 4 Taperlock
 - 4) ZEDTEC ZD1 X
- (iv) Yamaha KT100SEC
 - 1) Strike SSS SL (Short Shaft) (AKA#45)
 - 2) Strike SSS Evolution (Long Shaft) (AKA#47)
 - 3) Freeline (AKA#44)
 - 4) Ital Red S (Short Shaft) (Spec1, Spec2, Taperlock)
 - 5) Yamaha 7YPS (AKA#57)
 - 6) ZEDTEC ZD1 X
- k) Fuel
 - (i) No Class specific conditions

7 Competition Tyres

- a) Dry
 - (i) **LeCont LH03 Aus.**
 - 1) Front Tyre size must be
 - a. 10 x 4.50 - 5
 - 2) Rear Tyre size must be
 - a. 11 x 7.10 - 5
- b) Wet
 - (i) **LeCont SV1**
 - 1) Front Tyre size must be
 - a. 10 x 4.50 - 5
 - 2) Rear Tyres size must be
 - a. 11 x 6.50 - 5
- c) From the commencement of the first qualifying session at a Meeting, only the following Tyres are permitted to be used during a Meeting unless otherwise advised in Supplementary Regulations:
 - (i) one (1) set of Dry Tyres (plus one (1) replacement Dry Tyre if permitted in accordance with the Meeting); and
 - (ii) one (1) set of Wet Weather Tyres (plus one (1) replacement Wet Weather Tyre if permitted in accordance with the Rules).

8 Social Karting Tyres

- a) Dry
 - (i) **LeCont - LH03 Aus, SVB, SVC**
 - (ii) **Vega - VAH**
 - (iii) **Bridgestone - DR10 YLR ROK, YDS**
 - (iv) **Dunlop - DFM, DFH**
 - (v) **MG - AZ-Red, FZ Prime (Yellow)**

- b) Wet
 - (i) LeCont – SV1
 - (ii) Vega - W2
 - (iii) Bridgestone - WER YLP
 - (iv) Dunlop - KT14W13
 - (v) MG - SW, WT (White)

9 **General**

- a) Weight
 - (i) Minimum weight including the Driver (Unless otherwise specified in State Regulations)
 - 1) Yamaha - Junior:
 - a. Yamaha KT100J: 131kg
 - b. All other engines: 141kg
 - 2) Yamaha - Senior Light: 141kg
 - 3) Yamaha - Senior Medium: 161kg
 - 4) Yamaha – Senior Heavy: 181kg
 - 5) Yamaha - Masters: 161kg
 - (ii) Maximum weight of a Kart excluding the Driver for Yamaha Senior Medium & Heavy Divisions: 90kg
- b) Data Logging
 - (i) Only the following gauges are permitted to be used on a Kart using a KT100SEC engine:
 - 1) Engine Speed
 - 2) Temperature
 - 3) Lap Timer
- c) Apparel
 - (i) Refer to Technical Rules – Apparel.
 - (ii) Rib protectors are mandatory for all Junior Drivers.
 - (iii) Neck Braces and chest protectors are recommended for all Junior Drivers.
- d) Competition Numbers
 - (i) Background
 - 1) Junior: White
 - 2) Senior: Yellow
 - (ii) Numbers: Black
- e) Permitted Modifications
 - (i) In accordance with the relevant Homologation

Vintage Karting

1 Preamble

- a) The Class of Vintage Karting is to preserve, promote, monitor, co-ordinate and regulate vintage and historic Karting and its related activity.
- b) To be classified as a Vintage Kart, a Kart Class including Engine must:
 - (i) have been previously permitted for competition in Australia by KA; and
 - (ii) have been removed from the KA Rules for a minimum of 15 years
 - (iii) comply with the Class Rules that related to that particular Class.
- c) A Vintage Kart is as defined in the Rules.
- d) Racing of Vintage Karts is strictly forbidden.

2 Licences

- a) The Minimum licence requirement for Vintage Karting is a KA Vintage licence
- b) A Driver is permitted to participate in a practice, single or multi kart parade and multi-kart demonstration and time trials only.
- c) The Minimum age of a Driver to be eligible to drive a Kart is fifteen (15) years old.
- d) All licences issued must comply with these Rules.

3 Application for a KA Vintage Licence

- a) Refer to Competition Rules – Competition Licences.

4 Kart Registration

- a) Vintage Kart registration is granted by the KA Vintage Committee ("KAVC"). All Karts must be registered with the KAVC and show their registration sticker to be eligible for Practice, Parade/s, Demonstration/s and Time Trial/s on a Track. Contact your State Vintage Club Secretary for a registration application form.
- b) The owner of a Vintage Kart must be a member of a Club ("Vintage Kart Member") before applying for registration of a Vintage Kart.
- c) To be eligible for registration, a Vintage Kart must be either an original, an original restoration or a faithful replica.
- d) Four (4) photographs showing the front, rear and side views must accompany the registration application. Photos must be clear enough to identify the features of the Vintage Kart. Log Book's issued prior to 1 January 2018 are permitted to have only three (3) photographs.
- e) Once registered, a Vintage Kart will be issued with a registration sticker displaying the Log Book number. This is to be affixed to the applicable Vintage Kart at all times as proof of registration.
- f) Once registered, a Vintage Kart will be issued a Log Book in accordance with these Rules.
- g) Kart registration only remains valid whilst the owner remains a Vintage Kart Member.
- h) The Vintage Kart can only be driven on any Track if specifications and appearance match the issued log book.
- i) The following fees shall apply to the registration and transfer of Vintage Karts:
 - (i) Registration (one time only) - \$25.00 each Kart for each of the first four (4) Karts registered by a Vintage Kart Member;
 - (ii) Registration (one time only) - \$15.00 each Kart for all subsequent Karts belonging to the same Vintage Kart Member;
 - (iii) Transfer - \$25.00 each Kart.
 - (iv) Log Book Registration Sticker Reprint: \$20.00 for each sticker

5 **Kart Log Book**

- a) All Vintage Karts must be accompanied by a KAVC issued Log Book. The log book is to be available as proof of registration for scrutineering and operation on a Track.
- b) The Log Book will clearly identify the Vintage Kart, including the registration number and records the Model, Year and Relevant Class or Classes of the Vintage Kart.
- c) Any alterations to the Kart should be in keeping with the original Log Book specifications. In the case of motor substitution, the alternate motor must be compliant with the era listed in the Log Book and with the Rules.
- d) When a Vintage Kart changes ownership the current Log Book will be transferred for registration with the KAVC to the new owner strictly on the basis that the new owner is a Vintage Kart Member.

6 **Vintage**

a) The following types of event may be conducted for Vintage Karts as a component of any Event or as individual components of a stand-alone Vintage Karting Event:

- (i) Practice session in preparation for a Parade, Multi-kart Demonstration and/or Time Trial.
 - The Practice session must be included in the Supplementary Regulations.
- (ii) Parade

A parade is a display of either a single kart or group of karts at a moderate speed. The following conditions apply:

- A kart designated by the Clerk of the Course as the Pace Kart shall lead the Parade so as to control the pace of the Karts on the Track.
- Overtaking is strictly forbidden;
- The Parade must be included in the Supplementary Regulations.

- (iii) Multi-Kart Demonstration

A Demonstration is a display of a Vintage Kart's performance. The following conditions apply:

- All normal Officials and services required for Competition in accordance with these Rules must be provided;
- Each Kart must leave the out grid in their Era. Notwithstanding that in the interest of safety, Karts may be arranged in groups of similar performance, at the discretion of the Clerk of the Course (e.g. a lower performance Era 4 Kart can be grouped with an Era 3 Kart of similar performance.) Combining high performance Karts and lower performance Karts on the Track is strictly prohibited.
- A Driver of vintage Karts wishing to show the full potential of their Kart in a demonstration must do so in a safe manner and in accordance with the Rules.
- A start signal will not be given as racing is strictly prohibited.
- Overtaking is permitted only in designated areas of the Track that will be indicated by marker cones and/or blue flags/lights and then only when it is safe to do so.
- The onus rests at all times with the overtaking Driver to drive their Kart in a safe manner having due regard for the conditions and any difference in speed between the Vintage Karts on the Track ;
- The number of karts on the Track will be 70% of the Circuit's licenced capacity;
- Timing is forbidden; and
- The demonstration must be included in the Supplementary Regulations.

(iv) Time Trial

An Event in which a Competitor is timed for two (2) laps.

- Each Competitor will complete one (1) warm-up lap immediately followed by two (2) timed laps and one (1) cool down lap.
- All normal Officials and services required for Competition in accordance with these Rules must be provided;
- The maximum number of karts on the Track at any one time will be two (2);
- Weight Adjusted Time Trials for Vintage Karts are not permitted to be conducted.
- The Time Trial must be included in the Supplementary Regulations.

(iv) Regularity Trial

A Regularity Trial is an event for Vintage Karting where a Driver is rewarded for consistency in achieving lap times that are as close as possible to their target lap time ("Target Time").

- Each Driver must have a functioning MYLAPS compatible timing transponder fitted to their Kart for the purposes of timing during each Regularity Trial and timed practice session at a Meeting.
- No form of Electronic Dash Display that displays the lap time for the driver is permitted to be used.
- The number of Karts on the Track will be no more than 50% of the Track Density.
- There will be a single timed practice session for each Era in which each Driver will be required to set their Target Time.
 - o Notwithstanding that in the interest of safety, Karts may be arranged in groups of similar performance ("Performance Group"), at the discretion of the Clerk of the Course.
 - e.g. a lower performance Era 4 Kart can be grouped with an Era 3 Kart of similar performance.
 - o High-performance Karts are not permitted on the Track at the same time as lower performance Karts. For the sake of clarity, a 200cc Kart is not permitted on the Track at the same time as a lower performance Kart.
- The Target Time will be the fastest time recorded by a Driver during the timed practice session.
- If a Driver is unable to set a Target Time during the timed practice session, the Time Keeper will apply the slowest Target Time recorded by a Driver in a Kart from the same Era to that Driver.
- The Regularity Trial will be conducted over a number of timed laps that will be specified in Supplementary Regulations ("Regularity Laps").
 - o Each Driver must leave the out grid in their Era/Performance Group.
 - o The Driver with the fastest Target Time in their Era /Performance Group will be the first to leave the out grid, then the second fastest and so.
 - o Only one (1) Driver will be permitted to leave the out grid at a time and at intervals of no less than five (5) and no more than ten (10) seconds.
 - o If a Driver is unable to leave the out grid in their allocated grid position, they must wait until all other Karts have left the out grid before being allowed to leave the out grid.
 - o A Driver will complete two (2) rolling laps before starting the Regularity Laps.
 - The practice of weaving to warm Tyres during the rolling laps is permitted
 - o A Driver's Regularity Laps will end upon the display of the black and white chequered flag.

- Penalty Points will be applied to each Driver for every 1/10th of a second over or under the Driver's Target Time for each of the Regularity Laps that the Driver completes:
 - o Penalty Points (faster than the Target Time):
 - 1-3 seconds faster: 2 Points per 1/10th second
 - More than 3 seconds faster: 3 Points per 1/10th second
 - o Penalty Points (slower than the Target Time):
 - 1-3 seconds slower: 1 Point per 1/10th second
 - More than 3 seconds slower: 1.5 Points per 1/10th second
 - The Driver who has completed the prescribed number of Regularity Laps who accumulates the lowest Penalty Point score will be the best performed Driver.
 - No award will be made that is solely based on kart performance.
 - The Regularity Trial must be included in the Supplementary Regulations.
- b) A Vintage karting Meeting of National or International significance must be designated as either a National Meeting or an International Meeting in accordance with the Rules.
- c) An Organising Club is to submit an application for an Organising Permit in accordance with the Rules to their SKA for the conduct of a Vintage Meeting.
- d) The Organising Club must submit the Supplementary Regulations in accordance with the Rules, clearly identifying all of the types of Events to be conducted at the Meeting to their SKA for approval and the issuing of an Organising Permit.
- e) All recognised Divisions and Eras prescribed in the Rules must be permitted to participate in a Vintage Event.
- f) All Drivers must be licenced in accordance with these Rules.
- g) Drivers who have no previous Kart driving experience must start at the rear of any Field.
- h) Drivers must at all times wear Apparel as defined in Technical Rules Chapter 7 - Apparel, except in a single-kart Parade in either an Era 1, 2 or 3 Kart, where period-correct clothing may be worn.
- i) Only Vintage Karts displaying a current Vintage Sticker may participate in Vintage Events, Practice, Parades, Demonstrations and Time Trials.
- j) Dangerous or unsporting driving is strictly prohibited and may result in Disqualification from the Event or the Meeting.
- (i) If during any Vintage Karting session a Driver is found by the Stewards and/or the Clerk of the Course to be driving in a dangerous or unsporting manner or racing a black and white diagonal flag and their Race number will be displayed this will be the first and only warning to the Driver during the Meeting,
 - (ii) If a Driver is found to be driving in a dangerous or unsporting manner for a second time during the Meeting, a black flag and their Race number will be displayed. The Driver must return to the in Grid within the lap it is shown and will be Disqualified from the remainder of the Meeting.
- k) The Stewards / Clerk of the Course will be Judges of Fact in the determination of dangerous and unsporting driving.

7 **Scrutineering**

- a) All Vintage Karts are required to pass scrutineering in accordance with these Rules.
- b) Log books for Vintage Karts must be carried at all times and be made available for inspection by the relevant Official when requested at a Meeting.

8 **Recognised Divisions and Eras**

- a) Karts and Engines must strictly comply with their correct Era.
- The criteria for determination for the correct Era shall be determined by the VC registration panel. The newest component, being either the Kart or the Engine, shall determine the Era of registration.
- b) Karts and Engines
- Era 1: Pre 1964: Historic
 - Era 2: 1964 - 1971: Vintage
 - Era 3: 1972 - 1977: Classic (pre side pod Karts)
 - Era 4: 1978 - 1991: Post-Classic Kart
 - Era 5: 1992-2000: Modern Classic Kart (Each Kart must be fitted with side pods **and induction silencers**).
- c) Era 3, Era 4 and Era 5
- The following engines are permitted to be used in Eras 3, 4 and 5:
 - Yamaha KT100J with the pulse line pick up located at the bottom of the crank case and fitted with the black box type ignition system.;
 - Yamaha KT100S as detailed in the KAVC Era 4 Yamaha document.
 - Yamaha KT100S as detailed in the KAVC Era 5 Yamaha document.

9 **Tyres**

- a) Tyres shall be of similar size, profile and equivalent compound as originally Raced.
- b) The default Tyre for each Era shall be of an SL type.

10 **Chain Guard**

- a) Notwithstanding the requirements of Rule 8 b) herein, all Vintage Karts must be fitted with an operable chain guard.

11 **Push Start Kart and Quad Bikes (Pushing Vehicles)**

- a) A Pushing Vehicle may be used in the out grid to push start a Kart in accordance with and under the directions of the Officials.
- The driver/rider of the Pushing Vehicle must:
 - Be a minimum of 15 years of age; and
 - Wear a minimum of an open-faced helmet at all times; and
 - Wear a high visibility safety vest at all time; and
 - Wear enclosed footwear; and
 - Have undergone a safety briefing regarding:
 - The rules for the use of a Pushing Vehicle to push start a kart; and
 - The Race meeting rules; and
 - Safety requirements.
- b) At all times a Pushing Vehicle must be operated under the instruction of the Grid Marshall.
- c) It is prohibited for any Pushing Vehicle to travel past the baulk line.

KARTING AUSTRALIA SUPPLEMENTARY REGULATIONS

All Supplementary Regulations for any general Meeting or issued as a separate document for a Meeting that includes any Vintage Karting elements must include the provision that at least one suitably qualified KAVC appointed Official will be nominated to assist the general Meeting Officials with all aspects of Vintage Karting.

4SS (4 Stroke Sprint)**Preamble**

- a) The development and Homologation of "Factory Sealed" 4 Stroke engines resolves many of the technical compliance issues so as to allow 4 Stroke engines to be used in Club Competition and Social Karting activities encompassing the traditional sprint racing format with the underlying principle of fostering greater participation in the sport.
- b) For the avoidance of doubt, the 4SS Class is considered to be an introductory Class and as such is restricted to use solely in Social Karting and Club Karting Competition and a single State Trophy Event in each State unless and the **Ultimate Club Racer event** otherwise approved by KA.
- c) The progression of the Class since it was first introduced in 2018 has exceeded initial expectations. The addition of the Supermaxx 250 engine as a separate Division of the 4SS Class in 2019 has further added to the dynamics of the Class. Accordingly, from the commencement of 2022, it has been decided to separate 4SS into two separate Classes – 4SS (for the Briggs and Stratton 206 and the Torini Clubmaxx 210 engines) and 4SS Super (for the Torini Supermaxx 250 engine.)
- d) For the avoidance of doubt, 4SS and 4SS Super Classes CAN be consolidated in accordance with Competition Rules, Chapter 1, Rule 9.
 - (i) In the interest of providing the safest racing conditions for the consolidated Classes, the attention of event organisers is drawn to sub-rule (iv) f. "4SS Competitors will be arranged on the grid at the rear of the 4SS Super Class Competitors."

1 Class

- a) 4SS (Sprint)

2 Age

- a) Restricted by Licence

3 Competition Eligibility

- a) Club
- b) State Trophy
- c) National Cup

4 Licence Requirements

- a) Cadet
 - i) A Driver must hold a Cadet 9 or a Cadet 12 Licence
- b) Junior
 - i) A Driver must hold a maximum of a B Grade Junior Licence.
 - ii) Unless otherwise specified in State Regulations, a Driver who holds an International or a National A Grade Junior licence may Compete at a Club Meeting, however, they will not be eligible for points or awards.
- c) Senior
 - i) Unless otherwise specified, a Driver must hold a maximum B Grade Senior licence.
 - ii) A Driver over 40 years old may hold an A Grade Senior licence.
 - iii) Unless otherwise specified in State Regulations, a Driver who holds an International or a National A Grade Senior licence may Compete at a Club Meeting, however, they will not be eligible for points or awards.

5 Chassis

a) Cadet Kart

- i) Unless otherwise prescribed in these Rules, the Riccardo Kart DR-L28 Kart will be the only Kart permitted for use in 4SS Cadet Competition:
 - 1) The Kart must be manufactured by BirelART and be imported into Australia by Patrizicorse Pty Ltd.; and
 - 2) Must at all times be as homologated by Karting Australia; and
 - 3) The following components of the Kart including the: frame, stub axels, tie rods, steering column, axle, hubs, side pod bars and floor tray shall exhibit the marking DRS. No modification to the construction of any component on the Kart other than those prescribed in these Rules is permitted:
 - a. For the sake of clarity, the Kart must at all times use the standard components as manufactured by BirelART with the exception of items such as stickers and pedal extensions.
 - 4) The seat must be as supplied with the Kart (Freeline XS or S):
 - a. The only modification of the seat that is permitted, is the drilling of holes to enable ballast to be mounted.

a) Frame

- i) Must comply with the Rules.

6 Drivetrain

a) Engine

- i) One (1) engine is permitted to be fitted to a Kart.
- ii) Type
 - 1) Briggs & Stratton 206 Factory Sealed including all ancillary components as Homologated.
 - a. The engine must be manufactured by Briggs and Stratton Racing and imported into Australia by IKD.
 - 2) Torini Clubmaxx 210 Factory Sealed including all ancillary components as Homologated.
 - a. The engine must be manufactured by Austech Industries Pty Ltd.
 - 3) Torini Supermaxx 250 Factory Sealed including all ancillary components as Homologated:
 - a. The engine must be manufactured by Austech Industries Pty Ltd.
- iii) Technical specifications and Homologation Papers for each engine are available at www.karting.net.au
- iv) Factory Sealing

An engine must have at least two (2) factory installed seals properly attached to it in accordance with the homologation papers.

 - 1) Tampering with the seal/s is not permitted.
 - 2) Should the seal/s be tampered with, or any of the seals be broken, the engine is no longer eligible for Competition:
 - a. The Briggs & Stratton 206 has two (2) seals attached – both must be fully intact.
 - b. The Torini Clubmaxx 210 has four (4) seals attached – all must be fully intact.
 - c. The Torini Supermaxx 250 has four (4) seals attached – all must be fully intact.

- 3) Should an engine require dismantling for any reason that requires breaking of the seals, contact:
- Briggs & Stratton 206: IKD: service@internationalkarting.com
 - Torini Clubmaxx 210: Austech Industries Pty Ltd: service@austechindustries.com.au
 - Torini Supermaxx 250: Austech Industries Pty Ltd: service@austechindustries.com.au
- v) Maximum Number of engines permitted to be used by the Driver from the commencement of the first qualifying session at each Meeting.
- ~~One (1)~~ **Two (2)**
- vi) Eligible engines for each Division.

Cadet	Junior	Senior – Light	Senior – Medium	Senior – Heavy
Briggs & Stratton 206*	Briggs & Stratton 206*	Briggs & Stratton 206*	Briggs & Stratton 206*	Briggs & Stratton 206*
Torini Clubmaxx 210	Torini Clubmaxx 210	Torini Clubmaxx 210	Torini Clubmaxx 210	Torini Clubmaxx 210
			Torini Supermaxx-250	Torini Supermaxx-250

*It is intended that the Briggs and Stratton 206 engine will cease to be eligible for 4SS competition as of 31 December 2022.

- b) Carburettor
- In accordance with the relevant Homologation.
 - Cadet Engines
 - Torini Clubmaxx TC210
 - Torini Butterfly Carburettor, 16.5mm Venturi (Part No. TC25TECK) with matching inlet manifold (Part No. TC21045) must be used at all times.
 - Briggs & Stratton 206
 - Briggs & Stratton Carburettor Slide - 0.570 (Yellow Briggs and Stratton Restrictor) must be used at all times.
- c) Induction Noise Silencer
- In accordance with the relevant Homologation
- d) Exhaust
- Header Pipe
 - In accordance with the relevant Homologation
- e) Ignition
- Ignition Type
 - In accordance with the relevant Homologation
 - Ignition Kill Switch
 - The OEM kill switch in accordance with the Homologation must be retained and must be fully functional at all times.
- f) Spark Plug
- In accordance with the relevant Homologation
- g) Starter
- In accordance with the relevant Homologation

- h) Cooling
 - i) In accordance with the relevant Homologation
- h) Transmission
 - i) Gearbox not permitted
 - ii) Side plates or discs with a Maximum diameter of 195mm may be attached to the sprocket or carrier
- i) Clutch
 - i) In accordance with the relevant Homologation
- j) Fuel
 - i) Only a KA Permitted Premium Unleaded Petrol (PULP) may be used.
- k) Oil
 - i) In accordance with the relevant Homologation
- l) Cadet Restrictor
 - i) In accordance with the relevant Homologation

7 Competition Tyres

- a) Dry - Cadet
 - i) Vega VAH
 - 1) Front Tyre size must be:
 - a. 10 x 4.50 x 5
 - 2) Rear Tyre size must be:
 - a. 10 x 4.50 x 5
- b) Dry - Junior & Senior
 - i) Vega VAH
 - 1) Front Tyre size must be:
 - a. 10 x 4.50 x 5
 - 2) Rear Tyre size must be:
 - a. 11 x 7.10 x 5
- c) Wet – Cadet
 - i) Vega W2
 - 1) Front Tyre size must be:
 - a. 10 x 4.50 x 5
 - 2) Rear Tyre size must be:
 - a. 10 x 4.50 x 5
- d) Wet – Junior & Senior
 - i) Vega W2
 - 1) Front Tyre size must be:
 - a. 10 x 4.00 x 5
 - 2) Rear Tyre size must be:
 - a. 11 x 6.50 x 5
- e) From the commencement of the first qualifying session at a Meeting, only the following Tyres are permitted to be used during a Meeting unless otherwise advised in Supplementary Regulations:
 - i) one (1) set of Dry Tyres (plus one (1) replacement Dry Tyre if permitted in accordance with the Rules); and
 - ii) one (1) set of Wet Weather Tyres (plus one (1) replacement Wet Weather Tyre if permitted in accordance with the Rules).

8 Social Karting Tyres

- a) Dry
- (i) Maxxis 190D – Cadet - KA
 - (ii) LeCont - LH03 Aus, SVB, SVC
 - (ii) Vega - VAH
 - (ii) Bridgestone – DR1 YJL, DR10 YLR ROK, YDS
 - (iv) Dunlop - DFM, DFH
 - (v) MG – AZ-Red, FZ Prime (Yellow)
- b) Wet
- (i) Maxxis - MW21
 - (ii) LeCont – SV1
 - (iii) Vega - W2
 - (iv) Bridgestone – WER YLP
 - (v) Dunlop – KT14W13
 - (vi) MG - SW, WT (White)

9 General

- a) Weight
- i) Minimum Weight including the Driver:
 - 1) Cadet: 100kg
 - 2) Junior: 130kg
 - 3) Senior - Briggs & Stratton 206, Torini Clubmaxx 210
 - a. Light: 140kg*
 - b. Medium: 155kg*
 - c. Heavy: ~~165kg~~ 170kg*

* An SKA will be permitted to increase or decrease the Senior Light and/or Medium and/or Heavy weights by a maximum of 5kg for Club and State Trophy Competition through State Regulations.
 - ii) The minimum weights specified herein will be the subject of on-going review and possible adjustment at the absolute discretion of KA.
 - iii) Maximum weight of the Kart excluding the Driver for the Medium and Heavy Division: 102kg
- b) Data Logging and/or Electronic Dash Display
- i) Not permitted
- c) Hour Meter
- i) Permitted
- d) Apparel
- i) Refer to Technical Rules – Apparel.
 - ii) Rib protectors are mandatory for all Cadet and Junior Drivers.
 - iii) Neck Braces and chest protectors are recommended for all Cadet and Junior Drivers.
- e) Competition Numbers
- i) Background:
 - 1) Cadet: White
 - 2) Junior: White
 - 3) Senior: Yellow
 - ii) Numbers:
 - 1) Cadet: Red
 - 2) Junior: Black
 - 3) Senior: Black
- f) Permitted Modifications
- i) In accordance with the relevant Homologation.

4SS Super**Preamble**

- a. For the avoidance of doubt, the 4SS Super Class is restricted to use solely in Social Karting, Club Karting Competition, a single State Trophy Event in each State and the Ultimate Club Racer event unless otherwise approved by KA.
- b. The progression of the 4SS Class since it was first introduced in 2018 has exceeded initial expectations. The addition of the Supermaxx 250 engine as a separate Division of the 4SS Class in 2019 has further added to the dynamics of the Class. Accordingly, from the commencement of 2022, it has been decided to separate 4SS into two separate Classes – 4SS (for the Briggs and Stratton 206 and the Torini Clubmaxx 210 engines) and 4SS Super (for the Torini Supermaxx 250 engine.)
- c. For the avoidance of doubt, 4SS and 4SS Super Classes CAN be consolidated in accordance with Competition Rules, Chapter 1, Rule 9.
 - (i) In the interest of providing the safest racing conditions for the consolidated Classes, the attention of event organisers is drawn to sub-rule (iv) f. "4SS Competitors will be arranged on the grid at the rear of the 4SS Super Class Competitors."

1) Class

- a) 4SS Super

2) Age

- a) Restricted by Licence

3) Competition Eligibility

- a) Club
- b) State Trophy
- c) National Cup

4) Licence Requirements

- a) Senior
 - i) Unless otherwise specified in State Regulations, a Driver must hold a maximum B Grade Senior licence.
 - ii) A Driver over 40 years old may hold an A Grade Senior licence.
 - iii) Unless otherwise specified in State Regulations, a Driver who holds an International or a National A Grade Senior licence may Compete at a Club Meeting, however, they will not be eligible for points or awards.

5) Chassis

- a) Frame
 - i) Must comply with the Rules.

6) Drivetrain

- a) Engine
 - i) One (1) engine is permitted to be fitted to a Kart.
 - ii) Type
 - 1) Torini Supermaxx 250 Factory Sealed including all ancillary components as Homologated.

- a. The engine must be manufactured by Austech Industries Pty Ltd.
- iii) Technical specifications and Homologation Papers for the engine are available at karting.net.au
- iv) Factory Sealing
 - An engine must have at least four (4) factory installed seals properly attached to it in accordance with the homologation papers.
 - 1) Tampering with the seal/s is not permitted.
 - 2) Should the seal/s be tampered with, or any of the seals be broken, the engine is no longer eligible for Competition:
 - 3) Should an engine require dismantling for any reason that requires breaking of the seals, contact Austech Industries Pty Ltd: service@austechindustries.com.au
- v) Maximum Number of engines permitted to be used by the Driver from the commencement of the first qualifying session at each Meeting.
 - 1) Two (2)
- b) Carburettor
 - i) In accordance with the relevant Homologation.
- c) Induction Noise Silencer
 - i) In accordance with the relevant Homologation
- e) Exhaust
 - i) Header Pipe
 - i) In accordance with the relevant Homologation
- i) Ignition
 - i) Ignition Type
 - 2) In accordance with the relevant Homologation
 - ii) Ignition Kill Switch
 - i) The OEM kill switch in accordance with the Homologation must be retained and must be fully functional at all times.
- j) Spark Plug
 - i) In accordance with the relevant Homologation
- k) Starter
 - i) In accordance with the relevant Homologation
- l) Cooling
 - ii) In accordance with the relevant Homologation
- l) Transmission
 - i) Gearbox not permitted
 - ii) Side plates or discs with a Maximum diameter of 195mm may be attached to the sprocket or carrier
- m) Clutch
 - i) In accordance with the relevant Homologation
- n) Fuel
 - i) Only a KA Permitted Premium Unleaded Petrol (PULP) may be used.
- n) Oil
 - i) In accordance with the relevant Homologation

7) Competition Tyres

- a) Dry
 - (i) Vega VAH
 - 1) Front Tyre size must be:
 - a. 10 x 4.50 x 5
 - 2) Rear Tyre size must be:
 - a. 11 x 7.10 x 5
 - b) Wet
 - (i) Vega W2
 - 1) Front Tyre size must be:
 - a. 10 x 4.50 x 5
 - 2) Rear Tyre size must be:
 - a. 10 x 4.50 x 5
 - c) From the commencement of the first qualifying session at a Meeting, only the following Tyres are permitted to be used during a Meeting unless otherwise advised in Supplementary Regulations:
 - i) one (1) set of Dry Tyres (plus one (1) replacement Dry Tyre if permitted in accordance with the Meeting); and
 - ii) one (1) set of Wet Weather Tyres (plus one (1) replacement Wet Weather Tyre if permitted in accordance with the Rules).

8) Social Karting Tyres

- a) Dry
 - (i) LeCont - LH03 Aus, SVB, SVC
 - (ii) Vega – VAH
 - (iii) Bridgestone - DR1 YJL, DR10 YLR ROK, YDS
 - (iv) Dunlop - DFM, DFH,
 - (v) MG – AZ-Red, FZ Prime (Yellow)
- b) Wet
 - (i) LeCont – SV1
 - (ii) Vega - W2
 - (iii) Bridgestone - WER YLP
 - (iv) Dunlop - KT14W13
 - (v) MG - WT (White)

9) General

- a) Weight
 - i) Minimum Weight including the Driver:
 - 1) Senior
 - a. Light: 155kg
 - b. Medium: 170kg
 - c. Heavy: 185kg
 - ii) The minimum weights specified herein will be the subject of ongoing review and possible adjustment at the absolute discretion of KA.
 - iii) Maximum weight of the Kart excluding the Driver for the Medium and Heavy Division: 102kg
 - b) Data Logging and/or Electronic Dash Display
 - i) Permitted
 - c) Hour Meter
 - i) Permitted

- d) Apparel
 - i) Refer to Technical Rules – Apparel.
 - ii) Rib protectors are mandatory for all Cadet and Junior Drivers.
 - iii) Neck braces and chest protectors are recommended for all Cadet and Junior Drivers.
- e) Competition Numbers
 - i) Background:
 - 1) Senior: Yellow
 - ii) Numbers:
 - 1) Senior: Black
- f) Permitted Modifications
 - i) In accordance with the relevant Homologation.

IMPORTANT NOTES FOR CLUBS ABOUT 4SS RACING

Introduction

The 4SS Class is, by its very nature and design, an introductory Class in Australian Karting Competition. This brings with it, Drivers who are new to the sport (one of the things that the Class is designed to achieve).

Clubs should expect that a significant proportion of Drivers competing in the 4SS Class are relatively inexperienced in kart racing. This applies at all 4SS levels - Cadet, Junior and Senior Divisions. As many 4SS Competitors are "finding their feet" in the sport that is new to them, and they are developing their Race craft, they may be expected to be a little more uncertain than most drivers who are currently racing 2 stroke karts.

These notes are provided to help all Clubs ensure that our new drivers get the best experience from their introduction to karting.

Parity Between Engines and Weight Divisions – 4SS Senior

In the development of the 4SS Senior Class, we have tried as best that we can, to ensure that our Light, Medium and Heavy Divisions can all Race together on the track at the same time with good parity by weight for the Light and Medium Divisions and by weight and power for the Senior Division (by including the Torini SuperMaxx 250 for the heavier weight Drivers). As the Class inevitably grows, they won't be racing together in some Clubs.

It is important for new Clubs hosting 4SS Races to realise that the SuperMaxx 250 and the Light Division will not necessarily be the fastest karts on the track – it is all about Power-to-Weight.

Qualifying

It is very highly recommended that the 4SS Classes have their grid set through a Qualifying Session (even if the other Classes in a Race Meeting are being set by a random grid format.) It provides the safest possible format of gridding, reduces first lap accidents that increase cost, and possible injury and allows the inexperienced Drivers to settle in to racing. This will not add time to the Club Race day as 4SS karts do not need a warmup session so they can be qualified while other classes have their warmup.

The fastest will generally be at the front of the grid regardless of engine type or weight and you will create the safest possible Race.

Questions and Answers

We want our inexperienced Drivers to ask questions. It helps them come to grips with their new sport in a much shorter space of time than if they don't ask and then make mistakes.

People who are new to anything want to learn and it is better that they learn the easy way by asking. Encourage it – please. They are not yet fully familiar with things at the Track that more experienced drivers take for granted – like Supplementary Regulations, Scrutineering, Stewards etc.

Many of the adults who are having a go at 4SS racing – because it is fun, cheap motorsport are having their very first motor racing experiences. In our modern society, we expect adults to know everything, but we shouldn't. Many of our terms and processes are foreign to novices in our sport and we need to nurture them. After all, they are our future long-term participants.

Please help them to become comfortable within your Clubs.

KA sees 4SS and 4SS Super as playing a very important role in bringing repeat numbers of members and event entries to our Clubs. Many of them, once they have settled in and learned a little will want to go faster (because that people in motor racing do), they will progress to a 2-stroke class and become great, long term members of our Clubs – they might just need a little bit of nurturing and encouragement at the start.

4SE (4 Stroke Endurance)

1 Class

- a) 4SE (4 Stroke Endurance)
- b) An endurance Karting Event is an Event conducted on a Circuit with a sealed surface in which the winner is declared after a set time limit or a set distance usually with a duration of not less than one (1) hour and included a Minimum of two (2) drivers in each Kart with a Minimum of one (1) compulsory driver change.

2 Age

- a) Restricted by Licence

3 Competition Eligibility

- a) Endurance

4 Licence Requirements

- a) Junior
 - i) Must hold a Junior Licence
- b) Senior
 - i) Must hold a Senior Licence

5 Chassis

- a) Frame
 - i) Must comply with the Technical Rules
- b) Axles
 - i) Maximum length is 1100mm
 - ii) The rear axle diameter must comply with the following dimensions relative to the engine type:

Engine Type	Diameter	Other Requirements
Torini TC 250 (Twin engine)	OD 40.0mm /Maximum ID 36.25mm; or OD 30.0mm / Maximum ID 19.0mm; or OD 30.0mm	Tubular Tubular Solid
Torini TC 250 & Torini Clubmaxx 210 (Single engine)	In accordance with Technical Rules Chapter 1 Rule 8 c) (ii) 3)	
Briggs & Stratton 206	In accordance with Technical Rules Chapter 1 Rule 8 c) (ii) 3)	

- iii) Rear Axles Collars
 - 1) A Maximum of four (4) collars may be fitted to the rear axle to prevent the axle moving laterally.
 - 2) Each collar must be made of a Metallic Material.
 - 3) Each collar must be fitted to the rear axle adjacent to and inside the outer rear bearings.
 - 4) Each collar must have a Maximum width of 35mm.
- iv) Rear hubs
 - 1) Maximum length is 140mm.

- v) Sleeves fitted over the axle and intended to prevent the hub moving on the axle are permitted and must be made of a Plastic Material.
- c) Steering
 - i) Rod ends of a Plastic / Nylon type are permitted provided that they:
 - 1) are fitted with metal rose joint connectors; and
 - 2) have a Minimum outside diameter of 20mm.

6 Drivetrain

- a) Engine
 - i) Type
 - 1) Torini TC 250 Factory Sealed as Homologated including all ancillary components (Single & Twin Engine Division).
 - a. The engine must be manufactured and factory sealed by Austech Industries Pty Ltd.
 - 2) Torini Clubmaxx 210 Factory Sealed as Homologated including all ancillary components (Single Engine Division).
 - a. The engine must be manufactured and factory sealed by Austech Industries Pty Ltd.
 - 3) Briggs & Stratton 206 Factory Sealed as Homologated including all ancillary components (Single Engine Division).
 - a. The engine must be manufactured by Briggs and Stratton Racing and imported into Australia by IKD.
 - ii) Technical specifications and/or Homologation Papers for each engine are available at karting.net.au
 - iii) There is no Maximum number of engines permitted to be used at a Meeting.
 - iv) Each engine fitted to a Kart at a Meeting must be sealed prior to being used in any Competition.
- b) Carburettor
 - i) Torini TC 250
 - 1) In accordance with the Homologation
 - ii) Torini Clubmaxx 210
 - 1) In accordance with the Homologation
 - iii) Briggs & Stratton 206
 - 1) In accordance with the Homologation
- c) Inlet Manifold
 - i) Torini TC 250
 - 1) In accordance with the Homologation
 - 2) A deflector is permitted to be fitted to the air filter provided that it is securely attached and that its sole function is to stop material coming off the rear wheels from being drawn into the engine.
 - ii) Torini Clubmaxx 210
 - 1) In accordance with the Homologation
 - 2) A deflector is permitted to be fitted to the air filter provided that it is securely attached and that its sole function is to stop material coming off the rear wheels from being drawn into the engine
 - iii) Briggs & Stratton 206
 - 1) In accordance with the Homologation

- d) Exhaust
 - i) Header Pipe
 - 1) Torini TC 250
 - a. In accordance with the Homologation
 - 2) Torini Clubmaxx 210
 - a. In accordance with the Homologation
 - 3) Briggs & Stratton 206
 - a. In accordance with the Homologation
 - ii) Muffler
 - 1) Torini TC 250
 - a. In accordance with the Homologation
 - 2) Torini Clubmaxx 210
 - a. In accordance with the Homologation
 - 3) Briggs & Stratton 206
 - a. In accordance with the Homologation
- e) Ignition
 - i) Ignition Type
 - 1) Torini TC 250
 - a. In accordance with the Homologation
 - 2) Torini Clubmaxx 210
 - a. In accordance with the Homologation
 - 3) Briggs & Stratton 206
 - a. In accordance with the Homologation
 - ii) Ignition Kill Switch
 - 1) The OEM kill switch in accordance with the Homologation must be retained and must be fully functional at all times.
 - 2) A remote kill switch may be fitted however this must function independently of the OEM version.
- f) Starter
 - i) Torini TC 250
 - 1) In accordance with the Homologation
 - ii) Torini Clubmaxx 210
 - 1) In accordance with the Homologation
 - iii) Briggs & Stratton 206
 - 1) In accordance with the Homologation
- g) Cooling
 - i) Torini TC 250
 - 1) In accordance with the Homologation
 - ii) Torini Clubmaxx 210
 - 1) In accordance with the Homologation
 - iii) Briggs & Stratton 206
 - 1) In accordance with the Homologation
- h) Transmission
 - i) Gearbox not permitted
 - ii) Sprockets
 - 1) Only one (1) sprocket may be fitted to the rear axle for each engine.
 - 2) Only the final drive sprockets listed in the table below may be used:

Engine Type	Final Drive Sprocket
Torini TC 250 Engine	Open Selection
Torini Clubmaxx 210 Engine	Open Selection
Briggs & Stratton 206	Open Selection

- i) Clutch
 - i) Torini TC 250
 - 1) In accordance with the Homologation. Either a:
 - a. Noram GE19-219 dry air cooled; or
 - b. Noram GEL19-219 dry air cooled.
 - 2) Must have a Maximum engine engagement speed of 2,900 rpm
 - ii) Torini Clubmaxx 210
 - 1) In accordance with the Homologation. Either a:
 - a. Noram GE19-219 dry air cooled; or
 - b. Noram GEL19-219 dry air cooled.
 - 2) Must have a Maximum engine engagement speed of 2,900 rpm
 - iii) Briggs & Stratton 206
 - 1) In accordance with the Homologation
- j) Fuel
 - i) Type and Supply
 - 1) Only a KA Permitted Pump Fuel may be used.
 - 2) Each Competitor must purchase the required quantity of Fuel listed in the Supplementary Regulations for each Kart they enter into the Meeting. This Fuel will be used by all Competitors as part of the common fuel supply for qualifying and the Race.
 - 3) Each Competitor must provide the required amount of Fuel in an approved container to the designated Official at Scrutineering. The container must clearly indicate the Competitors Name and Kart number.
 - ii) Fuel Tank
 - 1) Must comply with the Rules with the following Maximum fuel tank capacity:

Engine Type	Maximum Capacity
Torini TC 250 & Torini Clubmaxx 210 Engine	10 litres
Briggs & Stratton 206	10 litres

- 2) The Supplementary Regulations may indicate a lower Maximum fuel capacity which must be indicated on the fuel tank and confirmed by the Chief Scrutineer.

7 Tyres

- a) Dry
 - i) Vega VAH
 - 1) Front Tyre size must be:
 - a. 10 x 4.50 x 5
 - 2) Rear Tyre size must be:
 - a. 11 x 7.10 x 5

- b) Wet
 - i) **Vega W2**
 - 1) Front Tyre size must be:
 - a. 10 x **4.50** x 5
 - 2) Rear Tyre size must be:
 - a. 11 x **7.10** x 5
- c) Prior to the commencement of the first qualifying session all Tyres permitted to be used at the Meeting must be marked and recorded by the Chief Scrutineer.
- d) The Brand, model and quantity of Dry and Wet Weather Tyres permitted to be used at a Meeting will be specified in the Supplementary Regulations.
- e) The Tyres used on a Kart during qualifying must be used by that Kart to commence the Race unless there has been a change in weather conditions. Any change in weather conditions must be confirmed by the Clerk of the Course.

8 **General**

- a) Weight
 - i) Minimum Weight including the Driver:
 - 1) Single Engine: 175kg
 - 2) Twin Engine – 185kg
 - ii) A Kart may be weighed at any time at a Meeting including during qualifying, the Race and at post-Race scrutineering
- b) Data Logging
 - i) No Class specific conditions
- c) Radio Equipment
 - i) A two-way radio communication system between the Driver and their pit crew is permitted.
 - ii) The Radio must be either securely attached to the Kart to the satisfaction of the Chief Scrutineer or may be incorporated into the Drivers helmet provided that the helmet has been designed and manufactured with an inbuilt radio/Bluetooth system. The determination of the Chief Scrutineer will be considered final.
 - iii) A Competitor is not permitted to use radio equipment that is able to access the Official's radio channels.
- d) Apparel
 - i) Refer to Technical Rules – Apparel.
 - ii) Rib protectors are mandatory for all Junior Drivers.
 - iii) Neck Braces and chest protectors are recommended for all Junior Drivers.
- e) Competition Numbers
 - i) Background:
 - 1) Junior: White
 - 2) Senior: Yellow
 - ii) Numbers: Black

9 **Permitted Modifications**

- a) In accordance with the relevant Homologation.

10 **Number of Drivers and Driving Time Limits**

- a) The Minimum number of Drivers that can be nominated for an Event is as follows:
 - i) Up to and including 6 hours: Minimum two (2) Drivers
 - ii) Over 6 hours and up to and including 12 hours: Minimum three (3) Drivers
 - iii) Over 12 hours: Minimum four (4) Drivers

- iv) Unless otherwise stipulated in the Supplementary Regulations for a Meeting, a Driver is only permitted to Compete in one (1) Kart at a Meeting.
- b) Driving Time Limits
 - i) Each Driver must not exceed 60 minutes of continuous driving.
 - ii) Each Driver must have a Minimum of 20 minutes of resting time.
 - iii) Minimum penalty for each Offence is five (5) Computer laps.

11 Pit Area

- a) Only authorised Drivers and pit crew members are permitted in the Pit Area during any on Track activity.
- b) Each Kart is permitted One (1) pit crew member in the Pit Area at any time during a Race for the purpose of signalling their Kart and monitoring the Race.
- c) The Pit Area will consist of the following areas which will be designated by the Organiser and advised to all Competitors:
 - i) Pit Lane means all of the road in which the 15 km/h speed limit applies as indicated by the speed restriction sign at its beginning and the speed de-restriction sign at its end.
 - ii) Pit Bay means that area in the Pit Lane which is reserved for the temporary stopping of, and working on, a Kart during a Race. A Maximum of two (2) Drivers and one (1) pit crew member for each Competing Kart are permitted in a Pit Bay during an Event when undertaking a Pit Stop. The only work permitted to be undertaken in a Pit Bay is:
 - 1) Driver Changes;
 - 2) Timing Transponder Changes;
 - 3) Adjustment of Tyre Pressures;
 - 4) Adding or Removal of Ballast.
 - iii) Refuelling Area means the area where a Kart must be refuelled during qualifying and the Race. Only the Driver of the Kart being refuelled and the Refuelling Marshal are permitted in the Refuelling Area.
 - iv) Weighing Area means the area where a Kart will be weighed during a Meeting. Only the Driver of the Kart being weighed and the Scales Marshal are permitted in the Weighing Area.
 - v) Paddock Area: In addition to the provisions of General Rules Chapter 4, the Paddock Area is the only location where mechanical repairs are permitted to take place during an Event. For the avoidance of doubt, the lubrication of a chain must be undertaken in the Paddock Area. Any breach of this Rule will incur a penalty of 5 Computer laps

12 Timing

- a) Each Competition will be timed.
- b) Each Competition must utilise the MYLAPS Orbits 5 timing software in conjunction with a MYLAPS compatible timing transponder to undertake timing.
- c) A manual back up timing system may also be used at a Meeting.
- d) If the timing transponder is dislocated, dislodged or fails during the Race, it is the Competitors responsibility to replace the timing transponder within five (5) laps of the Competitor being notified by an Official.
- e) Should the timing system fail during a Race, the Race will be stopped. The order of the Karts will be taken at the last point at which it was possible to determine the position of all Karts in the Race. This decision is not subject to Protest or Appeal.

13 Practice

- a) Practice may take place at a Meeting at the discretion of the Organiser.
- b) A Practice session which is a part of the Meeting must be included in the Supplementary Regulations.

14 Qualifying

- a) Qualifying will take place at each Meeting
- b) The duration and format of the qualifying session will be stipulated in the Supplementary Regulations for the Meeting.

15 Grid Procedure

- a) Unless otherwise approved by KA, the gridding procedure will be based on the times achieved in qualifying with the fastest Kart on grid position one (1) and so one.
- b) E Grade and D Grade Licenced Drivers who start a Race will start the Race at the rear of the grid in qualifying order.

16 Race

- a) The duration of each Race will be specified in the Supplementary Regulations and will generally be expressed as a set time.
- b) The Start Procedure for each Race will be in accordance with Competition Rules Chapter 1 Rule 22 with the only variation being that two (2) rolling laps will take place prior to the formation lap.

17 Compulsory Pit Stops (CPS)

- a) A CPS is the time from when a Kart enters Pit Lane until when a Kart exits the Pit Lane during a Race.
- b) A Kart is not permitted to complete a CPS until after it has started the Race.
- c) A Kart is not permitted to undertake a CPS during a Full Course Yellow period.
- d) The number of CPS', including refuelling CPS' will be specified in the Supplementary Regulations for each Meeting.
- e) It is the responsibility of each Competitor to monitor the number of CPS' completed by their Kart.
- f) The CPS record may be available to a Competitor at the discretion of the Stewards.
- g) Each Race is required to have the following Minimum number of CPS' which must be completed by a Kart:
 - i) 2 hour Race: 3 CPS'
 - ii) 4 hour Race: 7 CPS'
 - iii) 6 hour Race: 9 CPS'
 - iv) 7 hour Race: 11 CPS'
 - v) 8 hour Race: 12 CPS'
 - vi) 9 hour Race: 13 CPS'
 - vii) 12 hour Race: 18 CPS'
 - viii) 24 hour Race: 35 CPS'
- h) A Kart which is required to traverse the Pit Lane to serve a Penalty will not be considered as a CPS.
- i) If the published ambient temperature of the day at 0800 hours as advised by the Bureau of Meteorology (www.bom.gov.au) is forecast to be above 32.9°C for the nearest Town or City to the Circuit the Stewards may mandate additional CPS' where a change of Driver must take place which will be confirmed in a Bulletin. The decision of the Stewards will be final and will not be subject to Protect of Appeal.

18 Refuelling Pit Stop

- a) During a Race, each Refuelling Pit Stop:
 - i) must take place in the designated Refuelling Area; and
 - ii) will be timed by the Refuelling Marshal; or
 - iii) by an Electronic Fuel Timing System which is activated by the Driver of the Kart.
- b) Unless otherwise stipulated in the Supplementary Regulations for a Meeting, each Refuelling Pit Stop must be for a Minimum duration of one (1) minute.
- c) A Kart is not permitted to enter the Pit Lane and undertake a Refuelling Pit Stop during a Full Course Yellow period.
- d) It is not permitted to use a spark generating device in the Refuelling Area e.g.: Jump Battery.
- e) The Organiser may stipulate additional requirements for each Refuelling Pit Stop in the Supplementary Regulations for a Meeting.
- f) Refuelling Pit Stop Procedure during a Race
 - i) The Refuelling Pit Stop procedure is as follows:
 - 1) The Driver will bring the Kart to the Refuelling Area.
 - 2) The Driver must switch off each engine before getting out of the Kart.
 - 3) The Driver must then move away from the Kart to the designated Driver area.
 - 4) The Refuelling Marshal will remove the fuel cap.
 - 5) The Driver must remain in the designated Driver area whilst the Kart is being refuelled.
 - 6) The Driver may be required to hold and must be prepared with a fire extinguisher whilst the Kart is being refuelled.
 - 7) The Driver may only return to the Kart when directed to do so by the Refuelling Marshal.
 - 8) The Refuelling Marshal will replace the fuel cap and the Kart may then be restarted.
 - 9) The Driver may not leave the refuelling area until the electronic fuel timing system light turns to green or until directed to do so by the Refuelling Marshal.
 - 10) The Driver should check the tightness and security of the fuel cap prior to leaving the refuelling area.
 - 11) Queue jumping is not permitted in the Refuelling Area unless directed by an Official.
 - 12) The Kart must leave the Refuelling Area immediately at the conclusion of its Refuelling Pit Stop.

19 Weighing Pit Stop

- a) During a Race, each Weighing Pit Stop:
 - i) Must take place in the designated Weighing Area; and
 - ii) Will be timed by the Scales Marshal.
 - iii) The Weighing Pit Stop procedure is as follows:
 - 1) The Driver will bring the Kart to the Weighing area
 - 2) The Driver will only proceed onto the scales when instructed to do so by the Scales Marshal.
 - 3) Once the Kart and Driver have been weighed, the Scales Marshal will instruct them to move off the scales.
 - 4) The Kart or Driver may not leave the weighing area until directed to do so by the Scales Marshal.
 - 5) No contact is permitted between the Driver and any person other than the Scales Marshal.
 - 6) Should the Minimum Weight not be achieved, the Driver will be granted a second opportunity to be weighed, however this second opportunity must not in any way impede another Kart from being weighed.

20 Kart Stoppage on the Circuit

- a) Should a Kart break down on the Track, the Driver is permitted to carry out minor repairs to allow the Kart to rejoin the Race.
- b) The Kart and Driver must move to a safe position as determined by an Official prior to commencing any work on the Kart.
- c) Any repairs may only be effected by hand and by the Driver alone. Tools of any kind are not permitted to be carried by the Driver or affixed to a Kart.
- d) Whilst in the confines of the Circuit, the Driver must leave all protective clothing on including helmet, driving suit, boots and gloves.
- e) Once a Kart is repaired it will be permitted to continue in the Race.
- f) For twin engine Divisions, a Kart is not permitted to re-enter the Track with only one (1) engine operating.

21 Full Course Yellow

- a) When the order is given to neutralise the Race, all Flag points will display yellow lights / waved yellow flags.
 - i) The order to neutralise the Race will be the words "FULL COURSE YELLOW".
 - ii) A "SLOW" board (yellow board with the word "SLOW" written in black) will be displayed at the Control Line and generally one other location around the Track.
 - iii) The competition number of the Kart leading the Race will also be displayed at the Control Line.
 - iv) These will be displayed until immediately before racing recommences under Green Light/ Flag conditions.
- b) When the Full Course Yellow order is given, and yellow lights/ waved yellow flags are displayed, all of the Karts in the Race must:
 - i) Stop racing, slow down (Refer to: Competition Rules Chapter 2 Rule 4 e) and line up behind the lead Kart in single file.
 - ii) Overtaking is strictly forbidden.
 - 1) The sole exception to this is if a Kart slows down because of a obvious problem and cannot keep up.
 - iii) Once the line has formed and it is safe to do so, Drivers are permitted to weave on the straights to keep their tyres warm.
- c) During the neutralised laps, the leading Kart will dictate the pace of the other Karts. All Drivers should drive at a consistent, moderate speed.
 - i) All the other Karts must remain in a tight single file formation with one (1) Kart length between each Kart.
 - ii) Unless otherwise approved by the Clerk of the Course, only Karts with an obvious problem may enter the Pit Lane during the neutralisation.
 - 1) They may re-join the Track only when authorised to do so by an Official.
 - iii) A Kart re-joining the Track shall proceed at a moderate speed until it reaches the end of the line of Karts behind the leading Kart and must remain in that position.
- d) When the Race Director or Clerk of the Course decides to end the neutralisation, they will order that the yellow lights be switched off and yellow flags will be held immobile (they will not be waved).
 - i) This will be the signal to the Drivers that the Race will resume the next time that the Karts cross the Start Line.
 - ii) The "SLOW" boards will continue to be displayed until immediately before racing is recommenced.
 - iii) The leading Kart will continue to set the pace, at a consistent, moderate speed.

- e) The Race Director or the Clerk of the Course will give the instruction to the Starter for the resumption of the Race.
 - i) The "SLOW BOARDS" will be withdrawn from the Track.
 - ii) The Starter will wave the green flag / switch the lights to green to indicate the resumption of racing.
 - iii) Drivers may accelerate only after their Kart has crossed the acceleration line approaching the Start Line, when the green light is turned on and/or the green flag is being displayed by the Starter.
 - iv) Overtaking is prohibited until your Kart has crossed the Start Line under green flag/ light conditions. The sole exception to this is if a Kart slows down because of a obvious problem.
- f) Each lap completed during the neutralisation will be counted as a Race lap.
- g) If the Race finishes during the neutralisation, the Karts will take the chequered flag as usual.

22 Race Stoppage Procedure

- a) A Race may in extreme circumstances be stopped by the Clerk of the Course by using the red flag /lights.
- b) When a Race is stopped it must be restarted over the remaining time/number of laps as determined by the Chief Timekeeper and approved by the Stewards unless;
 - i) At least 75% of the Race is completed by the leading Kart, in which case the Race may be declared and finishing positions awarded according to positions at the last recorded lap of the lead Kart as determined by the Chief Timekeeper.
 - ii) Any Kart which is stationary on the Track when the Competition was stopped at the last recorded lap of the lead Kart when the Competition was stopped will not be classified as a finisher.
- c) Any Competitor who is stationary on the Track when a Race is stopped will be permitted to Compete in the restart of that Race if the Race is restarted. Such Karts will be placed behind any Kart which was on the Track when the Race was stopped in an order determined by the Chief Timekeeper. This is not subject to Protest or Appeal.
- d) Any Competitor who is in any part of the Pit Area, other than the Paddock Area, when the Race is stopped will be permitted to re-join the Race from the Pit Lane Exit if the Race is restarted. Such Karts will be placed behind any Kart which was on the Track when the Race was stopped.
- e) During a red flag stoppage, all Karts will be placed under Parc Fermé conditions.
- f) No adjustments or repairs are permitted to a Kart between the time a Race was stopped and prior to the restart of that Race.
- g) Drivers will remain under the direction of the Clerk of the Course.
- h) A Kart which is considered by the Chief Scrutineer to be unsafe will only be permitted to Compete in the restart of that Race once the Chief Scrutineer is satisfied that adequate repairs have been undertaken.

23 Race Restart Procedure

- a) The Race restart procedure will be in accordance with Competition Rules Chapter 1 Rule 25

24 Finishing

- a) The Race will be considered to have ended when the leading Kart receives the chequered flag as it crosses the Finish Line on the Track after whichever of the following occurs first:
 - i) the end of the number of laps as detailed in the Supplementary Regulations have been completed; or

- ii) the first time after it crosses the Control Line after the time detailed in the Supplementary Regulations plus one (1) lap.
- b) When the first Kart crosses the Finish Line to receive the Chequered Flag, the Pit Lane Exit will be considered closed and a Kart is not permitted to proceed on to the Track.
- c) The finishing order in the Race determines the winning positions in the Race and any Divisions.
- d) To be classified as a finisher, and in addition to the provisions of Competition Rules Chapter 1, a Kart must traverse its last lap in two (2) minutes or less of the first Kart receiving the Chequered Flag.

Dirt Track Karting

1 Preamble

- a) The following Rules apply to Dirt Track Racing only.

2 Track Layout

- a) The Circuit layout and conditions for Dirt Track Circuits will be as agreed and approved by the Circuit Inspector.
 b) Any new Circuits or major alterations to an existing Track must be submitted to the National Circuit Safety Committee for approval prior to construction of the Circuit or alteration to the Track.
 c) Non-compliance with this Rule will be subject to an investigation and a possible penalty imposed and / or Circuit Licence not being issued by KA.

3 Chain Oilers

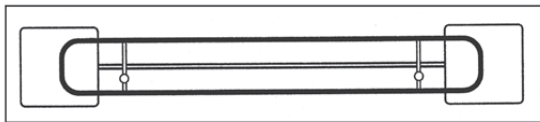
- a) Only permitted on Dirt Tracks. (Optional to Promoters).

4 Tyres

- a) Only Tyres approved by KA may be used.

5 Side Pods and Bumpers

- a) Side Pods are compulsory.
 b) Rear Bumper: Maximum width to centreline of rear Tyres. (see diagram below)



6 Classes

- a) The Classes must be in accordance with the Rules and/or as modified and approved by KA.

7 Weights

- a) Class weights to be the same as the corresponding Classes in the Rules.
 b) Promoters may change Class weights if necessary, when applying for an Organising Permit.

8 The following Rules apply for Championship Administration.

- a) National Dirt Track Championship promoted in September annually.
 b) Method of Racing for State and National Championships:
 (i) Will be at the discretion of the SKA in conjunction with the Promoters.
 c) Entry Fee for State and National Championships
 (i) If less than five (5) genuine entries are received for a particular Class for National or State Dirt Track Championships, then that Class must be withdrawn.
 (ii) The Entry Fee shall be decided by the SKA in conjunction with the Promoters.
 (iii) Entries will close a Minimum of fourteen (14) days before the Meeting.
 d) Circuit Standard
 (i) National and State Dirt Track Championships must only be conducted on a Track of a Minimum length of 350 metres and Minimum width of 7 meters throughout their entire length.
 (ii) Maximum length of any Track to be 1.7km.

F1
FORMULA 1
AUSTRALIAN
GRAND PRIX
2022



**LIVE
FAST**
GRANDPRIX.COM.AU



VICTORIA
State
Government

REMO RACING

iame
THE HEART OF KART

X30 125

The ultimate economical,
affordable, and user-friendly
125cc race engine!

TaG electric start. All components included.

Australian Kart Championship and
worldwide racing class with annual
X30 World Final.



Imported & distributed exclusively in Australia by REMO RACING



remoracing.com.au

Proudly supporting
Australian karting since 1984

remoracing



REMO
RACING

Adherence to these Regulations means that amongst other things, Drivers and people participating in this Karting Activity receive the benefit of KA's insurance cover while participating as it is an Organised, Permitted and controlled activity.

Preamble

Organised Social Karting Sessions (the "Karting Activity") have been developed to allow karters of all ages to participate in a **Karting Activity in a fun environment that is safe, organised, adequately appropriately controlled, non-competitive, and insured. fun environment.** From a group of mates wanting to do laps through to a family wanting to share a few hours together... the Drivers choose how long they want to run on any given day without the added time pressure of committing to an entire Meeting. These regulations have been developed to provide simple but effective management of the Karting Activity by the Organising Club while ensuring that appropriate safety measures are enforced by qualified and licenced KA Officials, thereby meeting the core KA value of Safety being paramount in all Karting activities.

2 Mandatory Regulatory Requirements

- a) Supplementary Regulations
 - (i) Supplementary Regulations must be prepared by an Organiser and approved by the relevant SKA before an Organising Permit can be issued.
 - (ii) The Supplementary Regulations may be valid from the day they are approved by the relevant SKA until the 31 December of the Year in which they were issued.
 - (iii) The Supplementary Regulations must be made available online prior to the Karting Activity and displayed on the event noticeboard
 - (iv) The Supplementary Regulations must include the following information:
 - a. The name of the Organising Club including contact details
 - b. Circuit Name and Location
 - c. The Circuit Length and Direction of Travel – If multiple variations are able to be used please list each length. Any change in circuit used or direction must be notified.
 - d. Period of Validity
 - e. Emergency Details
- b) Organising Permit & Fees
 - (i) The Organising Permit will be issued by the SKA to the Organising Club.
 - (ii) The Organising Permit may be valid until 31 December of the Year in which it was issued.
 - (iii) It is recommended that no permit fee is charged by an SKA
 - (iv) There is no TDF Levy payable
 - (v) The fee for each Driver to participate will be determined by the Organising Club
- c) Required Officials
 - (i) The Organiser must advise the SKA of any adjustment to the Officials for a Social Karting Activity by completing and submitting the on-line Social Karting Activity Officials Update Form prior to the start of the Karting Activity.
 - (ii) A minimum of one (1) KA Licenced Official must be in attendance at the Circuit to control of the Karting Activity at all times (the "Karting Activity Controller").
 - (iii) It is recommended that a person whose role it is to handle Administrative Checking is in attendance during a Karting Activity when there are more than 10 Driver's who are intending to use the Track in attendance at the Circuit.

- d) First Aid
- (i) When there are more than 10 Driver's in attendance at the Circuit who are intending to use the Track, it is recommended that an accredited First Aid person is in attendance at the Circuit.
 - (ii) In all circumstances, the Club first aid kit must be properly stocked, easily accessible and readily available should it be required during a Karting Activity.
 - (iii) There must be at least one (1) working mobile phone available at the Circuit for the use of Karting Activity Controller at all times that Drivers are on the Track.
- e) Identification and Location of Officials
- (i) The Karting Activity Controller must be easily identified as such while they are on duty and performing the requirements of the role.
 - (ii) It is recommended that the Karting Activity Controller wear a "Karting Activity Controller Vest" and be positioned in a location (preferably at either the out grid or race control) where they have ready access to:
 - a. A Green flag or green light to start a session; and
 - b. A Red flag or red light to stop a session; and
 - c. A Chequered flag to signal the end of a session; or
 - d. The Track safety light system

Note: Karting Activity Controller Vests are available from the KA Merchandise Shop <https://kartingaustralia.bigcartel.com/category/karting-australia-officials-apparel>
 - (iii) It is permitted for the Karting Activity Controller responsibilities to be shared between one or more KA Licenced Officials during a Karting Activity provided that at all times that a kart is being driven on the Track, there is a Karting Activity Controller on duty and performing the requirements of the role.
- f) Licence Requirements
- (i) A Driver must hold a current KA Licence relevant for the Class of Kart they intend to drive this can be an 8 Day licence.
- g) Administrative Checking & Scrutineering
- (i) A Kart must comply with the relevant Class Rules
 - (ii) The Driver or their guardian must complete and submit a Social Karting Activity Form (the "SKA Form") prior to the Driver entering the Track for the first time at a Karting Activity Session wherein they must:
 - a. Certify that the kart has been checked for safety compliance and that it is safe for use.
 - b. Confirm their acceptance of the "Exclusion of Liability, Indemnity, Release and Voluntary Assumption of Risk by entering the Circuit" and participating in the recreational activities conducted at the venue.
 - c. Certify that they have a current KA Licence relevant for the class of Kart that intend to drive.
 - d. Production of the confirmation of submission email that the Driver or their guardian will receive following successful submission of the SKA Form will serve to satisfy the requirements if this regulation.
 - (iii) Pay the fee that may be required by the Organising Club
 - (iv) After all of the above requirements are met to the satisfaction of the Officials, the Driver will be allowed to participate in the Karting Activity.
- h) On-track Sessions
- (i) It is forbidden to cross the Track or sit on tyre walls while ever there are karts driving on the Track.

- (ii) Any person who is permitted inside the Track must remain behind protective barriers at all times during on Track activity.
 - (iii) Sessions should be limited to 10 minute for each group (i.e. Cadets or Junior or Senior).
 - (iv) It is forbidden for a Driver to deliberately stop on the Track for any reason. For the sake of clarity, this includes but is not limited to for the purpose of making mechanical adjustments, taking tyre pressures, refuelling and for giving or receiving instruction to or by the Driver.
 - (v) The mechanical breakdown area may be used during this each session.
- i) Use of the Track
- (i) Only the following age divisions are permitted to be on the Track at the same time:
 - a. Cadet 9, Cadet 12 and 4SS Cadet Drivers are permitted on a Track at the same time
 - b. Junior Drivers are not permitted on the track with any other age division
 - c. Senior Drivers are not permitted on the Track with any other age division
 - (ii) All Drivers must at all times observe the safety instructions of the Karting Activity Officials, the Code of Driving Conduct and behave in a sensible and respectable manner
 - (iii) Careless or overly aggressive driving or Misconduct will not be tolerated.
 - a. First Offence - Warning
 - b. Second Offence - Disqualification from the remainder of the Karting Activity

3 The Karting Activity Guidelines

- a) General
- (i) The intention of the Karting Activity is: safe, organised, non-competitive fun for all involved.
 - (ii) Session Duration
 - a. The recommended maximum duration for a Karting Activity should last 3-4 hours from start to finish
- b) Example Timetable
- (i) The timetable would rotate between Cadet, Junior, Senior, Cadet, Junior etc
 - (ii) This will depend upon the number of Drivers licence holders who are participating. Age Groups may be required to be split further e.g: Cadet 9 and Cadet 12 or Senior Lower Performance and Senior Higher Performance
- c) Event Format
- (i) Qualifying is not permitted
 - (ii) Races are not permitted.
 - (iii) Results are not required.
 - (iv) There is no formal gridding procedure.
 - (v) When the out grid opens, the session will commence for a period of time determined by the Organiser. This will be generally 10 minutes for each group on a rotation basis.
- d) Timing
- (i) Timing Transponders are permitted to be fitted to a Kart but are not mandatory.
 - (ii) The organising Club is encouraged to ensure that the MYLAPS timing system is operating for the duration of the activity. The MYLAPS timing system should be set so that it does not require a Timekeeper and runs from the start to end of the activity.
 - (iii) If Clubs have internet connectivity available, Drivers are able to 'self-publish' their times on Speedhive
 - (iv) Clubs can also display the times on a screen in a prominent location e.g: Canteen, Out Grid

What is Teams Competition?

- a) Teams Competition is:
 - i) A Race or Races conducted on a Circuit with a sealed surface in which the winner is declared after a set distance expressed as a number of laps (usually with a duration of not less than thirty (30) minutes) involving multiple Drivers who are entered as a Team and for which there is a compulsory Driver change or changes to ensure that all Drivers are able to drive for a minimum time or minimum number of laps as prescribed in Supplementary Regulations; or
 - ii) Multiple individual Races by Drivers from multiple Classes, in which the winner is declared based on either:
 1. the accumulated times of each Driver in the Team; or
 2. the points accumulated by each Driver in the Team from the results of each Race; or
 3. The finishing position of each Driver in the last Race in the Teams Competition in the nominated sections of a Meeting

General Overview

- a) The Rules Governing Teams Competition are detailed in Competition Rules, Chapter 5 Rule 8 of the Karting Australia Manual.
- b) These Teams Competition Guidelines have been developed to provide Organisers with an overview of the manner in which Teams Competition may be conducted either as part of an existing Club Competition or as a Standalone Meeting.

Format of Racing Recommendations

- a) The format of each Race or Races for Teams Competition are required to be outlined in the Supplementary Regulations for a Meeting.
- b) A number of suggested formats are detailed below that can be used for Teams Competition.
- c) The following formats of racing are recommendations only and can be adapted to best suit the Organisers requirements, providing each Race is conducted in accordance with the Rules.

Teams Race for 2 or 3 Drivers Competing in The Same Class At the Race Meeting	
Format	Single Race with driver change using 1 kart
Class	To be specified in Supplementary Regulations
Race Distance	<ul style="list-style-type: none"> • To be specified in Supplementary Regulations – Expressed as a number of Laps
Number of Drivers in a Team	<ul style="list-style-type: none"> • To be specified in Supplementary Regulations - Maximum of 3 Drivers per
System of Gridding	To be specified in Supplementary Regulations: <ul style="list-style-type: none"> • Highest placed driver in each team in their Class Final; or • Fastest driver in each team from Qualifying for their Class; or • Random draw; or • Some other method - provided that it safe
Driver Change To take Place	To be specified as a number of Laps in Supplementary Regulations: <ul style="list-style-type: none"> 2 Driver Team Race <ul style="list-style-type: none"> • Between 40% and 60% of Race distance 3 Driver Team Race <ul style="list-style-type: none"> • 1st Change – Between 30% and 40% of Race Distance • 2nd Change – Between 65% and 75% of Race Distance
Finishing	In accordance with the Rules
Placings Determined	By Finishing positions at the chequered flag

Teams Race for 2 Drivers Competing in Different Classes at the Race Meeting	
Format	Race in two (2) Parts – I.e. 2 Starts, 2 Finishes, Each Driver in their own kart.
Classes	To be specified in Supplementary Regulations
Distances for each Race	To be specified in Supplementary Regulations – Expressed as a number of Laps
Number of Drivers in a Team	Two (2)
Format	To be specified in Supplementary Regulations - Two Races – Each Driver using the kart that they have entered for the Race Meeting
Example	Race 1: Senior: TaG Restricted followed by: Race 2: Junior: KA4 OR Race 1: Cadet 12 followed by: Race 2: Cadet 9
System of Gridding	To be specified in Supplementary Regulations: <ul style="list-style-type: none"> • Highest placed driver in each team in their Class Final; or • Fastest driver in each team from Qualifying for their Class; or • Random draw; or • Driver 2 starts in the finishing position of Driver 1 at the end of Race 1; or • Some other method - provided that it safe
Finishing	In accordance with the Rules
Placings Determined	<ul style="list-style-type: none"> • By Finishing positions at the chequered flag; or • Aggregate times recorded for both drivers; or • Aggregate points accumulated by both Drivers; or • Some other method

Guidelines if in conjunction with an existing Club Competition

The following Guidelines are applicable to Teams Competition which is conducted a part of an existing Club Competition.

- a) Driver Change
 - i) If a Driver Change is required to take place, it must be prescribed in the Supplementary Regulations.
 - 1) It must take place between 40% and 60% of the prescribed Race distance
 - 2) It must take place under full Race conditions (I.e. not under either full course yellow or red flag conditions)
 - 3) A Driver change must only take place in the area designated by the Organisers.
 - 4) The procedure to undertake a Driver Change safely and any associated minimum change time requirements must be listed in the Supplementary Regulations.
- b) Refuelling
 - i) Refuelling of a Kart during a Competition is not permitted.
- c) Weighing
 - i) May be conducted at the completion of the Race.
 - ii) The Minimum weight shall be in accordance with the relevant Class Rules.

- d) Finishing
- i) The Race will be considered to have ended when the chequered flag is displayed to the leading Kart as it crosses the Finish Line on the Track after whichever of the following occurs first:
 - 1) the end of the number of laps as detailed in the Supplementary Regulations have been completed; or
 - 2) the first time after it crosses the Control Line after the time detailed in the Supplementary Regulations plus one (1) lap.
 - ii) When the first Kart crosses the Finish Line to receive the Chequered Flag, no Kart that is not already on the Track will be permitted to enter the Track.
 - iii) The finishing order in the Race determines the winning positions in the Race and any Divisions.
 - iv) To be classified as a finisher, and in addition to the provisions of Competition Rules Chapter 1, a Kart must traverse its last lap within two (2) minutes or less of the first Kart receiving the Chequered Flag

Guidelines for Stand Alone Events

The following Guidelines are applicable to Teams Competition which is conducted at a Standalone Meeting.

- a) Pit Area
 - i) Only Competing Drivers and pit crew members are permitted in the Pit Area during any on track activity.
 - ii) Each Kart is permitted One (1) pit crew member in the Pit Area at any time during a Race for the purpose of signalling their Kart and monitoring the Race.
 - iii) The Pit Area will consist of the following areas which will be designated by the Organiser and advised to all Competitors:
 - 1) Pit Lane means all of the road in which the greatly reduced speed (approximately 10-15% of full speed) applies as indicated by the entrance to the In Grid and the exit of the Out Grid.
 - 2) Refuelling Area means the area where a Kart must be refuelled during the Race. Only the Driver (or Participant in the case of a Cadet or Junior) of the Kart being refuelled and the Refuelling Marshal are permitted in the Refuelling Area. The Refuelling area will be advised in the Supplementary Regulations
 - 3) Weighing Area means the area where a Kart will be weighed during a Meeting. Only the Driver of the Kart being weighed, an additional person authorised by the Scales Marshal to assist and the Scales Marshal are permitted in the Weighing Area.
- b) Refuelling
 - i) During a Race, refuelling must take place in the designated Refuelling Area;
 - ii) A Kart is not permitted to enter the Pit Lane and undertake a Refuelling Pit Stop during a Full Course Yellow period;
 - iii) It is not permitted to use a spark generating device in the Refuelling Area e.g.: Jump Battery
 - iv) The Organiser may stipulate additional requirements for each Refuelling Pit Stop in the Supplementary Regulations for a Meeting.
- c) Weighing
 - i) During a Race, each CPS will incorporate weighing of the Kart either prior to a Refuelling Pit Stop being undertaken and/or being released from Parc Ferme.
 - ii) The Weighing Pit Stop procedure is as follows:
 - 1) The Driver will bring the Kart to the Weighing area
 - 2) The Driver will only proceed onto the scales when instructed to do so by the Scales Marshal

- 3) The Minimum weight of the Kart and Driver combined must meet the Minimum weight of the respective Class Rules unless otherwise specified in the Supplementary Regulations
 - 4) Once the Kart and Driver have been weighed, the Scales Marshal will instruct them to move off the scales.
 - 5) The Kart or Driver may not leave the weighing area until directed to do so by the Scales Marshal.
 - 6) Other than the Driver, Scales Marshall and/or an additional person authorised by the Scales Marshal to assist is permitted in the Weighing area.
 - 7) Should the Minimum Weight not be achieved, the Driver will be granted a second opportunity to be weighed, however this second opportunity must not in any way impede another Kart from being weighed
- d) Compulsory Pit Stops (CPS)
- i) A CPS is the time from when a Kart enters Pit Lane until when a Kart exits the Pit Lane during a Race.
 - ii) Each CPS will consist of a minimum time, generally five (5) minutes, or as outlined in the Supplementary Regulations
 - iii) A Kart is not permitted to complete a CPS until after it has started the Race.
 - iv) The number of CPS' will be specified in the Supplementary Regulations.
 - v) It is the responsibility of each Competitor to monitor the number of CPS' completed by their Kart.
 - vi) If a Kart enters Pit Lane before Full Course Yellow period begins the stop will be classified as a CPS.
 - vii) Entry to Pit Lane is closed during a Full Course Yellow. If a Kart enters Pit Lane after a Full Course Yellow period begins, the stop will not count as a CPS. The Kart will be held at exit of Pit Lane until the field is compressed and the Clerk of the Course deems it safe to re-join at the rear of the field.
 - viii) On a Race restart, following either a Full Course Yellow or Race Stoppage, the Kart must complete one (1) full lap of green light racing after crossing start/finish line before a CPS can occur
- e) Kart Stoppage on the Circuit.
- i) Should a Kart stop on the Track, the Driver is permitted to carry out minor repairs to allow the Kart to re-join the Race.
 - ii) Prior to commencing any work on the Kart, the Kart and Driver must be moved to a safe position as determined by an Official.
 - iii) Any repairs may only be affected by hand and by the Driver alone. Tools of any kind are not permitted to be carried by the Driver or affixed to a Kart.
 - iv) Whilst in the confines of the Circuit, the Driver must leave all protective clothing on including helmet, driving suit, boots and gloves.
 - v) Once a Kart is repaired it will be permitted to continue in the Race.
 - vi) Should a Full Course Yellow be required, once the field is neutralised, a Driver who is stopped on the Track is permitted to receive assistance to have their Kart retrieved or removed from the Circuit. Any assistance must be under the direction of an Official.
 - vii) If a Driver receives outside assistance, or the Driver alights from their Kart, they will be eligible to restart in accordance with Competition Rules Chapter 1, Rule 23 d).
- f) Race Stoppage Procedure
- i) A Race may in extreme circumstances be stopped by the Clerk of the Course by using the red flag /lights.

- ii) When a Race is stopped it must be restarted over the remaining time/number of laps as determined by the Chief Timekeeper and approved by the Stewards, unless;
 - 1) At least 75% of the Race is completed by the leading Kart, in which case the Race may be declared and finishing positions awarded according to positions at the last recorded lap of the lead Kart as determined by the Chief Timekeeper.
 - 2) Any Kart which is stationary on the Track when the Competition was stopped at the last recorded lap of the lead Kart will not be classified as a finisher.
 - iii) Any Competitor who is stationary on the Track when a Race is stopped will be permitted to Compete in the restart of that Race if the Race is restarted. Such Karts will be placed behind any Kart which was on the Track when the Race was stopped in an order determined by the Chief Timekeeper. This is not subject to Protest or Appeal.
 - iv) Any Competitor who is in any part of the Pit Area, including the Paddock, when the Race is stopped will be permitted to re-join the Race from the Pit Lane Exit if the Race is restarted. Such Karts will be placed behind any Kart which was on the Track when the Race was stopped.
 - v) During a red flag stoppage, all Karts will be placed under Parc Fermé conditions.
 - vi) No adjustments or repairs are permitted to a Kart, including those located in the Paddock, between the time a Race was stopped and until the restart of that Race.
 - vii) Drivers will remain under the direction of the Clerk of the Course.
 - viii) A Kart which is considered by the Chief Scrutineer to be unsafe will only be permitted to Compete in the restart of that Race once the Chief Scrutineer is satisfied that adequate repairs have been undertaken.
- g) Race Restart Procedure
- i) The Race restart procedure will be in accordance with Competition Rules Chapter 1 Rule 25.
- h) Drive Through Penalty Procedure
- i) If a Driver is required to complete a drive through penalty, a Black and White with Diagonal join flag will be displayed to the Driver, together with the Kart Competition number. The Black and White with Diagonal join flag shall not be displayed on either the penultimate lap or the last lap of a Race.
 - ii) The Driver must enter the In Grid safely, prior to or immediately following the completion of the next lap. They will then be required to stop on the In Grid, alight from the Kart, place their Kart on the Out Grid and return to the track when directed to do so by an Official.
 - iii) A Drive Through Penalty can not be completed in conjunction with a CPS.
- i) Finishing
- i) The Race will be considered to have ended when the chequered flag is displayed to the leading Kart as it crosses the Finish Line on the Track after whichever of the following occurs first:
 - 1) the end of the number of laps as detailed in the Supplementary Regulations have been completed; or
 - 2) the first time after it crosses the Control Line after the time detailed in the Supplementary Regulations plus one (1) lap.
 - ii) When the first Kart crosses the Finish Line to receive the Chequered Flag, no Kart that is not already on the Track will be permitted to enter the Track.
 - iii) The finishing order in the Race determines the winning positions in the Race and any Divisions.
 - iv) To be classified as a finisher, and in addition to the provisions of Competition Rules Chapter 1, a Kart must traverse its last lap within two (2) minutes or less of the first Kart receiving the Chequered Flag.

APPENDIX 3 - PRIVATE PRACTICE RULES

When practicing at a Circuit, it is ESSENTIAL that these rules are observed at all times in the interests of safety.

So as to ensure that emergency services personnel can be called in the event of an accident, no person alone is permitted to use the Track if they are unaccompanied. For the sake of clarity, this means that there must be at least one adult observing the on-Track activity at all times.

The Club FIRST AID KIT must be properly stocked, easily accessible and readily available should it be required.

There must be at least one (1) WORKING MOBILE PHONE available at the Circuit at all times that drivers are on the Track.

In some jurisdictions, a permit from the relevant SKA will be required – clubs should check with their SKA and if a permit is required it should be displayed at the out grid.

Licence and Rules

- Karting Australia Rules must be complied with at all times.
- Drivers must hold a current Karting Australia Drivers Licence (“KA Licence”) that is valid for the class of kart that they intend to use on the Track.
- Drivers must have their KA licence with them and it must be available for inspection by club personnel when required.
- Drivers must fill out the sign-on sheet for every day they attend the Circuit for practice.
- The Club must retain all sign-on sheets for a period of 12 months.
- Drivers under the age of 18 years of age must be accompanied by an adult at all times.
- All drivers must be accompanied by at least one other person while at the Circuit.

Classes of Karts and Age Requirements

- Drivers are only permitted to drive a Class of kart for which they are licenced.
- Age division restrictions for who may be on a Track at the same time:
 - o Cadet 9 and Cadet 12 drivers are permitted on a Track at the same time;
 - o Junior drivers are not permitted on the Track with any other age division;
 - o Senior drivers are not permitted on the Track with any other age division.

Track Configuration and Direction of Travel for Practice

Any Club that allows Practice and/or Competition to be conducted on multiple Track configurations and/or normal and reverse directions must comply with the following rules so as to ensure that all persons using the Track are properly aware of the Track Configuration and the Direction of Travel that is required to be used.

TRACK CONFIGURATION

- Practice will always take place on the Full Track (No short cuts or cut throughs are to be used) (the “Standard Configuration”) unless altered by the Club (the “Altered Configuration”) and then in strict compliance with the following requirements:
 - o The Altered Configuration has been established by authorised Club Official/s only;
 - o The Altered Configuration has been implemented by the positioning of tyre barriers, cones and Track blocking devices that have been approved by the Club Safety Officer in conjunction with the Circuit Inspector; and

- o A sign displaying the Track Map that clearly shows the Standard Configuration or the Altered Configuration - whichever is in use - must be prominently positioned in the Out Grid. It must be of minimum dimensions 800mm x 600mm.

DIRECTION OF TRAVEL

- Each Club must designate the standard direction in which all karts will be required to drive at all times while using the Track for Practice (“Standard Direction Of Travel”) unless the Standard Direction Of Travel has been reversed by the Club (the “Reverse Direction”) in preparation for the next Race Meeting and then in strict compliance with the following requirements:
 - o The Reverse Direction has been established by authorised Club Official/s only;
 - o The Direction Of Travel must be clearly shown at the Out Grid on a sign (minimum dimensions 800mm x 600mm) positioned adjacent to the Track Map that shows the Track Configuration that is in use.
 - o The use of any short cuts or cut throughs, regardless of the Track Configuration that is in use is strictly prohibited.
- All karts must be driven in the same direction at all times.

SUPERVISION

- It is highly recommended that a Club Official be present to supervise Practice when an Altered Configuration and/or the Reverse Direction is in use.

Safety Apparel and PPE

- The requirements of Technical Rules Chapter 7 Apparel (including helmets, driving suits, gloves and enclosed shoes) must be complied with at all times.
- Each driver should ensure that a suitable FIRST AID KIT is in their possession while at the Circuit.
- Each driver should ensure that they have a WORKING MOBILE PHONE available at the Out Grid Circuit at all times that they are on the Track.
- All crew whilst in the confines of the Circuit must wear a high visibility vest.

Practice Sessions

- There must be no competitive element in Private Practice – Racing is strictly forbidden.
- It is forbidden to cross the Track or sit on tyre walls while ever there are karts driving on the Track.
- Any person permitted inside the Circuit area must remain behind protective barriers at all times during on Track activity.
- There must be a chequered flag and a red flag available at the out grid gate at all times to enable the sessions to be controlled or alternatively a Safety Light signalling system controlled from the out grid.
- When there are more than 5 karts on the Track, an adult must be delegated with the responsibility to control the session.
- Practice should be limited to 10 minute sessions in each group (i.e. Cadets or Junior or Senior).
- It is forbidden to stop on the Track for any mechanical adjustments, take tyre pressures, refuelling or to give the driver instruction.
 - o The Mechanical Breakdown area may be used during this 10 minute session.

APPENDIX 4 - INTRODUCTION TO KARTING

The following programs – “Bring a Mate”, “Come & Try” and “Dealer Trade” are, along with “Junior Sprockets” and “Junior Sprockets Plus”, Karting Australia’s approved programs and activities that are designed to introduce new, potential participants to the sport of karting.

Bring a Mate is Karting Australia’s priority club based introduction to karting program. It can be conducted as a stand-alone activity (utilising the pro forma Bring a Mate Supplementary Regulations) or it can be incorporated into a Club Day simply by including the session in the Supplementary Regulations for the event. It is the most simply organised and most cost effective of the three programs detailed in the following pages.

Bring a Mate Rules

1 Preamble

- a) It is designed to let people who have never Raced a kart before experience the thrill of karting in the safe, controlled environment of a KA sanctioned event on any KA licensed Circuit.
- b) It can be simply conducted by any KA affiliated Club at any KA Licensed Circuit with a minimal number of licensed Officials.
- c) As the program name suggests, BRING A MATE needs essentially two types of person:
 - (i) A currently licensed “Junior” or “Senior” Driver who will provide the equipment for their “MATE”; and
 - (ii) A friend or acquaintance of the licensed Driver – their MATE, who is interested to experience the thrill and excitement of driving a competition kart on a real Race track.
- d) Should the Club wish to do so, it can invite any of the local kart shops to participate on a BRING A MATE day provided that they are the holders of a current “DEALER TRADE LICENCE”, by providing the equipment that is necessary for some of their potential senior clients.
- e) BRING A MATE is open to women and men, girls and boys so long as they are in the year of their twelfth (12th) birthday or older.
- f) BRING A MATE is a nationally developed program that is produced locally by the Karting Australia affiliated Clubs that regularly conduct competition karting in Australia.

2 Key Elements of a “Bring A Mate” Day at a Local Club

- a) It will be run under a simple set of Supplementary Regulations that are prepared by the host Club using a pro-forma standard form developed by Karting Australia. The Supplementary Regulations must be approved by the SKA with which the Club is affiliated.
- b) An event Permit must be issued by the SKA.
- c) The BRING A MATE Program is a Demonstration, no competitive element is involved. Timing is not permitted.
 - (i) At the end of the day this is about the experience and nothing more.
- d) The nominated official (as designated in the Supplementary regulations) will conduct a briefing and short Induction Program for all MATES.
- e) MATES will be required to complete a Disclaimer and Indemnity Form to receive a “Bring a Mate Single Event Licence” and sign a Disclaimer and Indemnity Form as provided by Karting Australia.
 - (i) The Club will issue a Bring a Mate licence covering the MATE for the day’s on-Track activities.

- f) The program will be run to an on-Track timetable that provides separate sessions for both the Licensed Driver and their MATE/S.
 - (i) Licensed Drivers and MATES will not be on the Track at the same time (i.e. MATES run solely with other MATES.)
- g) The Club must provide first aid services in accordance with the KA Manual.
- h) Just like at an organised Race Meeting, the role of the Officials is primarily to ensure that the event runs smoothly, safely, on time and in accordance with the Regulations so that everyone has a good time.
- i) Ideally the Club will organise for one or more of the local kart shops to attend the day so that they can talk to MATES about what they need to do to GET STARTED IN KARTING.
- j) The Club should use the BRING A MATE day as a promotional opportunity to attract new members – both competitors and volunteers/Officials.
- k) If safety equipment is to be shared between MATES it is to be sanitised in between use by each MATE and shared by a maximum of five (5) MATES per activity.

3 BRING A MATE Single Event Licence

- a) Prior to issuing a BRING A MATE Single Event Licence the MATE will receive a simple written induction with verbal instructions (a briefing) from the nominated Official in attendance at the day.

Come & Try Rules

1 Preamble

- a) Come and Try Days or Come and Try activities ("Come and Try Activities") are designed to introduce potential new participants ("New Drivers") to the sport of karting under controlled conditions.
- b) In general, most Come and Try activities conducted by KA affiliated clubs are covered by the KA National Insurance Program. However, please check with KA and/or AJG Sport prior to any activity if you are in doubt.

2 Procedures for Come and Try Days

- a) If a stand-alone Come and Try Activity is intended to be conducted, or if it is intended to be conducted as part of a Club social day, the organising body must complete and have approved, Supplementary Regulations detailing all matters surrounding the activity including the names and responsibilities of the KA Licenced Officials who will be in attendance to organise and run the activity.
- b) If a Come and Try Activity is intended to be conducted as part of a Race Meeting the details of the Come and Try Activity must be included in the Supplementary Regulations for the Race Meeting and approved by KA or the SKA.
- c) All persons wishing to participate in a Come and Try Activity must have pre-registered with the Host Club for the activity through an online ticketing system. The ticketing system must clearly state the following:

COVID-19 ACKNOWLEDGEMENT AND VOLUNTARY ACCEPTANCE OF RISK

By entering or participating in this Karting activity, all Essential Karting Personnel and Permitted Persons acknowledge that, even with rigorous capacity and control measures that Karting Australia requires the Organising Club to put in place at all Karting Australia sanctioned Karting activities/events, there remains an unquantifiable risk of transmission of viral illness including COVID-19 at a Karting activity at this time and you have considered that risk and your own personal circumstances, including any health condition or vulnerability that you may have or

that of persons whom you will be in close contact with following your attendance at a Karting activity. You acknowledge that, for a small number of people, COVID-19 has very serious health consequences. By attending a Karting Activity you (and any persons who attend the activity with you) acknowledge and accept these obvious risks.

3 Supervision

- a) **At least one (1)** Karting Australia Licenced Official must directly supervise a Come and Try Activity and must be present at the Circuit at all times when a Come and try Activity is in progress.

4 Permitted Karts

- a) Please refer to the Karting Australia Manual (Class Rules) for any age restrictions within each Karting Category and/or Class.
- b) Please note: New Drivers over the age of 15 years ('Senior') are not permitted to drive a kart with an engine that is more powerful than 125cc - Restricted or 4 Stroke kart as designated in the Karting Australia Manual.

5 Karts on the Track

- a) The number of karts permitted to drive on the Track at the same time is limited to a maximum of 25% of the Track Density.
- b) Drivers must stay approximately 50 metres from the kart in front of them unless they slow significantly or stop in which case they may be overtaken.
- c) When leaving the out-grid drivers must leave in a controlled manner under the direction of an official.
- d) Weaving across the Track and sudden changes of direction are not permitted.
- e) When exiting the Track or if the driver is slowing and has an issue on the Track they should raise their hand so that the driver behind can clearly see that they are not continuing as normal.
- f) If a Driver spins out or stops on the Track and cannot restart the Kart they must get out of your kart when safe to do so and move to a place of safety. They must keep all safety apparel (including the helmet) on until they return to the pits.
- g) Senior and Junior/Cadet (9 and 12) aged New Drivers are not permitted to be on the Track at the same time
- h) Cadet (9 and 12) aged New Drivers are permitted to be on the Track at the same time. Karting Australia licenced drivers are not permitted to be on the Track at the same time as New Drivers.

6 Preparations

- a) New Drivers must be given a briefing on kart driving and Circuit safety (including Flag Signals as detailed in the Karting Australia Manual) immediately prior to the start of the Come and Try Activity.
- b) Apparel
 - (i) Drivers must at all times when on the Track be wearing racing apparel that complies with Karting Australia Rules.
 - (ii) This means:
 - Full face Helmet with visor,
 - One piece driving suit ~~with long sleeves and trousers~~; **providing neck to wrist to ankle coverage; or, solely for Introduction to Karting Activities two (2) pieces of clothing that provide neck to wrist and ankle coverage and protection as follows:**
 - Lower body coverage and protection:
 - Long pants made of medium or heavy-duty cotton drill material or denim; and
 - Upper body coverage and protection:

- Long-sleeve shirt made of medium or heavy-duty cotton drill material or denim done up to the neck and buttoned down at the wrist that provides neck to wrist and waist coverage and protection; or
- Crewneck, long-sleeve sweatshirt (must not be a hoodie) that provides neck to wrist and waist coverage and protection; or
- A snug fitting zip up or snap button jacket (without a hood) that is done up to the neck and that provides neck to wrist coverage and protection.
- The pants should either taper to the ankles or be tucked into the Driver's socks.
- The upper body coverage should be tucked into the pants.
- Gloves that resist abrasion and provide full finger protection
- Closed shoes.

c) Hair

- (i) Long hair must be securely retained either with a hair net, hood, balaclava or driving suit at all times.
- (ii) If required, New Drivers must read and have explained to them the wording of the Indemnity form provided. New Drivers must acknowledge the terms and conditions of the indemnity must sign the indemnity form before being permitted to drive a kart.
- (iii) If a New Driver is under 18 years of age, the New Driver and their guardian must both sign the indemnity form before the New Driver is permitted to drive a kart.

7 Shared Equipment

- a) It is recommended for New Drivers to use their own safety helmet and safety equipment wherever possible.
- b) All safety equipment provided by the Host Club must be sanitised thoroughly prior to being used by the first New Driver in the Activity.
- c) Single-use (or self-provided) Balaclavas **must are recommended** be used by all New Drivers **unless they are using their own helmet.**
- d) Latex Gloves are **recommended** to be worn by all New Drivers under any gloves provided by the Host Club. Alternatively, the Host Club can provide gloves for a single use per Activity.
- e) All other safety equipment provided by the Host Club must be sanitised in between use by each New Driver and shared by a maximum of five (5) New Drivers per activity.
- f) All Karts are to be thoroughly sanitised prior to the start of the activity. It is recommended that Clubs utilize a UVC light or similar apparatus for additional sanitising.
- g) Steering wheel, side pods and seat must be wiped down with hospital grade alcohol antibacterial/disinfectant wipes before and after used by each New Driver; and
- h) The mixing of fuel and refuelling of all karts throughout the day is to be completed by a maximum of two (2) people.

8 Personal Accident Insurance

- a) Karting Australia Personal Accident Insurance only provides cover to participants who hold a current Karting Australia License. Non-Licensed participants in come and try days are not eligible for personal accident insurance.

9 General Advice

- a) The information provided by Arthur J. Gallagher is considered general advice only and does not take into account your personal or financial situation. This information must be read in conjunction with the Insurance Program documentation including the Policy Wording. For a copy of the policy wording, please contact your broker.

1 Preamble

- a) The Dealer Trade License ('DTL') is designed to assist with introducing potential new participants ('New Drivers') to the sport of karting under controlled conditions.
- b) Dealer Trade License Activities may only be organised by the holder of a current DTL as a stand-alone activity at a Karting Australia licensed Circuit.
- c) Only those with registered business names associated with karting and current operational businesses within the karting industry are eligible to apply.
- d) Holders of a Dealer Trade License are required to hold and maintain their own current Public Liability insurance cover with a minimum policy limit of \$10,000,000 and supply a Certificate of Currency with their DTL application form to Karting Australia.
- e) The holder of a Dealer Trade License must have proof of their license available at all times while conducting a Dealer Trade License Activity.

2 Procedures for Dealer Trade License

- a) Recording of New Drivers
 - (i) The holder of the Dealer Trade License must complete a Karting Australia sign-on sheet containing the details and number of laps completed by a New Driver throughout the day. This sheet, along with the indemnity forms must be forwarded to Karting Australia National Office within Seven (7) days of the activity
- b) Supervision
 - (i) A Dealer Trade License holder must directly supervise all Dealer Trade License Activities and must be present at the Course at all times when a Dealer Trade License Activity is in progress
- c) Permitted Karts
 - (i) Please refer to the Karting Australia Manual (Class Rules) for any age restrictions within each Karting Category and/or Class.
 - (ii) Please note: New Drivers over the age of 15 years ('Senior') are not permitted to drive a kart with an engine that is more powerful than 125cc - Restricted or a 4 Stroke kart as designated in the Karting Australia Manual.
- d) Preparations
 - (i) New Drivers must be given a briefing on kart driving and circuit safety (including Flag Signals as detailed in the Karting Australia Manual) immediately prior to the start of the Come and Try Activity.
 - (ii) New Drivers must be given a briefing on kart driving and circuit safety (including Flag Signals as detailed in the Karting Australia Manual) immediately prior to the start of the Come and Try Activity.
- e) Apparel
 - (i) Drivers must at all times when on the Track be wearing racing apparel that complies with Karting Australia rules.
 - (ii) This means:
 - Full face Helmet with visor,
 - One piece driving suit **providing neck to wrist to ankle coverage, or, solely for Introduction to Karting Activities, two (2) pieces of clothing that provide neck to wrist and ankle coverage and protection as follows:**
 - **Lower body coverage and protection:**
 - **Long pants made of medium or heavy-duty cotton drill material or denim; and**

- Upper body coverage and protection:
 - Long-sleeve shirt made of medium or heavy-duty cotton drill material or denim done up to the neck and buttoned down at the wrist that provides neck to wrist and waist coverage and protection; or
 - Crewneck, long-sleeve sweatshirt (must not be a hoodie) that provides neck to wrist and waist coverage and protection; or
 - A snug fitting zip up or snap button jacket (without a hood) that is done up to the neck and that provides neck to wrist coverage and protection.
 - The pants should either taper to the ankles or be tucked into the Driver's socks.
 - The upper body coverage should be tucked into the pants.
 - Gloves that resist abrasion and provide full finger protection
 - Closed shoes.
- f) Hair
- (i) Long hair must be securely retained either with a hair net, hood, balaclava or driving suit at all times.
 - (ii) If required, New Drivers must read and have explained to them the wording of the Indemnity form provided. New Drivers must acknowledge the terms and conditions of the indemnity must sign the indemnity form before being permitted to drive a kart.
 - (iii) If a New Driver is under 18 years of age, the New Driver and their guardian must both sign the indemnity form before the New Driver is permitted to drive a kart.

3 Karts on the Track

- a) The number of karts permitted to drive on the Track at the same time is limited to a maximum of 25% of the Track Density.
- b) Drivers must stay approximately 50 metres from the Kart in front of them unless they slow significantly or stop in which case they may be overtaken.
- c) When leaving the out-grid drivers must leave in a controlled manner under the direction of an official.
- d) Weaving across the Track and sudden changes of direction are not permitted.
- e) When exiting the Track or if the driver is slowing and has an issue on the Track they should raise their hand so that the driver behind can clearly see that they are not continuing as normal.
- f) If a driver spins out or stops on the Track and cannot restart the Kart they must get out of your kart when safe to do so and move to a place of safety. They must keep all safety apparel (including the helmet) on until they return to the pits.
- g) Senior and Junior/Cadet (9 and 12) aged New Drivers are not permitted to be on the Track at the same time
- h) Cadet (9 and 12) aged New Drivers are permitted to be on the Track at the same time. Karting Australia licensed drivers are not permitted to be on the Track at the same time as New Drivers.

4 Personal Accident Insurance for Dealer Trade License Activities

- a) Karting Australia Personal Accident Insurance only provides cover to participants who hold a current Karting Australia License. Non-Licensed participants in dealer trade license activities are not eligible for personal accident insurance.

5 General Advice

- a) The information provided by Arthur J. Gallagher is considered general advice only and does not take into account your personal or financial situation. This information must be read in conjunction with the Insurance Program documentation including the Policy Wording. For a copy of the policy wording, please contact your broker.

1 Preamble

The 4SS Class is considered to be an introductory Class and as such, since its inception, it has, unless otherwise approved by KA, been restricted to use solely in Club Karting Competition and Social Karting.

The governing principles of 4SS Competition are that it:

1. Must always have a focus on Club Competition; and
2. Should always provide the best possible value for money karting experience; and
3. Should be the least technically complex (the simplest) form of Karting offered by KA;
4. Should not encourage unwarranted spending on largely unnecessary and non-beneficial peripheral engine components.

The growth in participation in the 4SS Class and Divisions combined with the competitive essence of all motorsport – to race against the best - inevitably leads to calls for higher levels of Competition to be available to 4SS Licence Holders.

Class Rules Chapter 20 – 4SS (4 Stroke Sprint), allows each SKA to sanction the organising of a single 4SS State Trophy Event in their State in 2022.

A 4SS State Trophy Event may be conducted no earlier than 1 September 2022.

The following Rules for a 4SS State Trophy Event are highly recommended to be implemented by each SKA. They have been constructed so that there is appropriate weighting applied to the governing principle that 4SS Competition “must always have a focus on Club Competition”, while also allowing a higher-level State Trophy Event to be organised with the focus on 4SS Competition.

4SS State Trophy Rules

- 1 The Event will be conducted in accordance with Competition Rules, Chapter 5, Rule 6 save that Rules h), o), p) and r) will be modified as follows:
 - a) Eligible Drivers
 - (i) **Unless otherwise approved by KA, a Driver** who has competed in a minimum of three (3) Club Level Events in a 4SS Class from January 1, 2022 to the close of entries for the State Trophy Event shall be eligible to Compete in the Event.
 - b) Eligible Classes
 - (i) All 4SS Divisions will be the feature Classes/Divisions; plus
 - (ii) Any Classes/Divisions that must be permitted to Compete in a State Championship Meeting may be permitted to Compete in a 4SS State Trophy Meeting. (Note: Consolidation of Classes Rules apply.)
 - c) Qualifying:
 - (i) Each 4SS Division will have one (1) qualifying session at a Meeting.
 - (ii) For all other Classes/Divisions, Qualifying may take place as a standalone session or may be combined with a warmup session or Timed practice at the discretion of the Organiser.
 - (iii) A Driver may only qualify one (1) Kart in each Class/Division at a Meeting.
 - d) Grid Procedure:

No Class/Division will be permitted to exceed the Track density listed in the Rules. The following procedures will be used to set the grid positions for each Race.

 - (i) Grid positions for Heat Race one (1) and Heat Race two (2) will be based on the times achieved in qualifying, with the fastest time on grid one, and so on.

- (ii) Grid positions for Heat Race three (3) will consist of the lowest combined points scored from Heat Race one (1) and Heat Race two (2) will start from grid position one (1), and so on.
 - (iii) If scheduled, grid positions for Heat Race four (4) will consist of the lowest combined points scored from Heat Race one (1), Heat Race two (2) and Heat Race three (3) will start from grid position one (1), and so on.
 - (iv) Grid positions for the Final Race will consist of the lowest combined points scored from Heat Race one (1), Heat Race two (2), Heat Race three (3) and Heat Race four (4) (if conducted) will start from grid position one (1), and so on.
 - (v) The following point score system will be used for determining the grid positions for Heat Race three (3), Heat Race four (4) and the final.
 - 1) 1st = 0 points, 2nd = 2 points, 3rd =3 points, and so on with one (1) point being added for each place.
 - 2) Non-starters and non-finishers to be awarded a finishing position based on the number of laps completed.
 - 3) In the event of a tie on points, the lower grid position will be awarded to the Driver with the faster original qualifying time.
 - 4) If a driver fails to make the start, they will be classified in grid order behind the number of starters in that race. If a driver is Disqualified from a Heat race they will be awarded points equal to the number of entries in the Heat of that Class or Division plus one (1).
- d) The finishing order of the final Race determines the winning positions in each Class/Division.

Karting Australia By-Laws and Policies as at 1 January 2022

In addition to the National Competition Rules, the ISC, Homologation Documents, Technical Specification Documents, State Regulations, National Championship Sporting Regulations, National Series Sporting Regulations, Supplementary Regulations, Addendums, Bulletins, Instructions, and Clarifications that are issued by Karting Australia from time to time, there are a number of Policies and Standing Orders that have been ratified by the Board that collectively work to govern the operation of the sport of Karting in Australia. As at 1 January 2022, these include:

BY-LAWS

- B1 Responsibilities Delegated to Member States
- B2 Karting Australia Board Charter
- B3 Authority and Delegations
- B4 Future Fund
- B5 2022 National Club Affiliation Requirements
- B6 2022 Fees
- B7 Discipline of Members
- B8 Karting Australia Tribunal
- B9 Rule Change Procedures
- B10 Homologation Procedures

POLICIES

- P1 Member Protection Policy – Part A
- P2 Member Protection Policy – Part B: Child Protection
- P3 Member Protection Policy – Part C: Complaint Procedures
- P4 Member Protection Policy – Part D: Code of Behaviour
- P7 Privacy Policy
- P8 Privacy Security Breach Flowchart
- P9 Anti-Discrimination Harassment and Bullying
- P10 Social Media and Acceptable Use of Social Media
- P11 Alcohol Policy
- P12 Breath and Alcohol Testing
- P13 Licence and Accreditation Photographic Requirements
- P15 Safety 1st Policy
- P16 Risk Management Policy
- P17 Critical Incident Response Procedures
- P18 Pre-Event Safety Inspection Policy and Checklist
- P19 Remotely Piloted Aircraft (including Drones)
- P21 Circuit Extension Approval
- P25 Officials Licence Policy
- P26 Junior Officials Policy
- P27 Travel Policy

- P28 Expense Reimbursement
- P29 Accredited Officials Uniform Entitlement
- P30 Whistleblower Policy
- P31 Accredited Photographers and Media Policy
- P33 Pre-Racing Safety Policy and Procedure
- P34 Junior Elite Participation
- P35 Medical Standards and Concussion Protocols
- P40 Insurance Excess Liability Policy
- P41 Timing Infrastructure Policy
- P42 Competition Fixing Policy
- P45 Anti-Doping Policy

Available Karting Australia Pro-forma Supplementary Regulations

The following Pro-forma Supplementary Regulation Forms have been prepared by Karting Australia and are available for use by all event Organising Committee's so as to make the completion of Supplementary Regulations that comply in full with the Rules as simple as possible. These documents are available from either your State office or from the Karting Australia national office.

Racing

- Club Competition Supplementary Regulations
- State Series, State Cup, State Trophy, State Trophy and Zonal Competition Supplementary Regulations
- State Championship Supplementary Regulations
- National Series Supplementary Regulations

Promotional Karting Activity

- Organised Social Karting Activity Supplementary regulations (12 Month)
- Bring A Mate Supplementary Regulations
- Come N' Try Supplementary Regulations

LIFE MEMBERS

AKA Inc	Late Mr John Duckworth	27.07.1968	Victoria
AKA Inc	Mr Ray Harrison	08.08.1970	New South Wales
AKA Inc	Dr Ray Phillips	13.08.1972	Victoria
AKA Inc	Mr Arthur Gore	31.08.1974	Victoria
AKA Inc	Late Mrs June Hodgetts	31.08.1974	South Australia
AKA Inc	Mr Les Power	31.07.1976	Western Australia
AKA Inc	Mr Neil Osborn	07.08.1977	Queensland
AKA Inc	Late Mr Noel Hunter	09.08.1980	Victoria
AKA Inc	Late Mr Doug Liddle	08.08.1982	South Australia
AKA Inc	Late Mr Frank Swann	06.08.1983	Western Australia
AKA Inc	Mr Peter Ward	03.08.1984	Victoria
AKA Inc	Mr Geoff Jacobs	02.08.1986	Tasmania
AKA Inc	Mr Ken Mitchell	02.08.1987	New South Wales
AKA Inc	Mr William MacGregor	04.08.1991	South Australia
AKA Inc	Mr Don Singline	06.08.1993	Tasmania
AKA Inc	Mr Robert Edyvean	07.09.2000	Queensland
AKA Inc	Mr Barry Campbell	07.09.2000	Tasmania
AKA Inc	Late Mr Kevin Jenner	07.09.2002	South Australia
AKA Inc	Mr Harold Arnett	27.08.2004	Victoria
AKA Inc	Mr David Clarke	27.08.2004	Western Australia
AKA Inc	Mr Craig Denton	27.08.2004	South Australia
AKA Inc	Mr Gary Light	29.10.2005	Western Australia
AKA Inc	Late Mr Brian Farley	26.08.2006	New South Wales
AKA Inc	Late Mr Alf Capri	26.08.2007	Queensland
AKA Inc	Mrs Maureen Capri	26.08.2007	Queensland
AKA Inc	Mrs Pam Arnett	22.08.2008	Victoria
AKA Inc	Mr Max Laybutt	21.08.2010	New South Wales
AKA Inc	Mr Mick Stott	19.08.2011	South Australia
AKA Inc	Mr Dave Murray	15.02.2013	Victoria

PAST NATIONAL EXECUTIVE MEMBERS

Chairman

AKA Inc	G. Carlsen	17.08.63 - 28.10.63	New South Wales
AKA Inc	D. Ingersole	28.10.63 - 29.03.64	Victoria
AKA Inc	Late J. Self	29.03.64 - 31.10.64	South Australia
AKA Inc	G. Carlsen	31.10.64 - 10.07.65	New South Wales

Chief Executive Officer

AKA Inc	Robert Edyvean	19.05.97 - 31.12.00	Queensland
AKA Inc	Colin Wilson	01.01.01 - 06.02.03	New South Wales

National President

AKA Inc	D. Ingersole	19.07.65 - 26.08.67	Victoria
AKA Inc	I. Cowin	26.08.67 - 27.07.68	Victoria
AKA Inc	Ray Harrison	27.07.68 - 08.08.70	New South Wales
AKA Inc	L. Atherton	12.08.72 - 20.09.73	Queensland
AKA Inc	Les Power	20.09.73 - 08.08.80	Western Australia
AKA Inc	Neil Osborn	08.08.80 - 08.08.82	Queensland
AKA Inc	Geoff Jacobs	08.08.82 - 01.08.86	Tasmania
AKA Inc	Peter Ward	01.08.86 - 07.08.96	Victoria
AKA Inc	Robert Edyvean	07.08.96 - 17.05.97	Queensland
AKA Inc	Late Kevin Jenner	07.08.97 - 18.11.02	South Australia
AKA Inc	Donald Wells	21.02.03 - 29.10.05	Tasmania
AKA Inc	Richard Erdmann	29.10.05 - 21.08.09	New South Wales
AKA Inc	Trevor Crane	21.08.09 - 20.08.10	Victoria
AKA Inc	Simon Whiting	20.08.10 - 07.09.11	New South Wales
AKA Inc	Craig Denton	11.12.11 - 31.08.13	South Australia

National Vice President

AKA Inc	I. Cowin	1966 - 1967	Victoria
AKA Inc	H. Rhodes	1967 - 1968	Victoria
AKA Inc	R. Phillips	1968 - 1970	Victoria
AKA Inc	J. Hooker	1970 - 1971	Western Australia
AKA Inc	Late L. Atherton	1971 - 1972	Queensland
AKA Inc	Les Power	1972 - 1973	Western Australia
AKA Inc	M. Paton	1974 - 1976	New South Wales
AKA Inc	Late Noel Hunter	1976 - 1980	Victoria
AKA Inc	Peter Ward	1980 - 1986	Victoria

National Vice President *continued*

AKA Inc	Don Singline	1986 - 1993	Tasmania
AKA Inc	Robert Edyvean	1993 - 1996	Queensland
AKA Inc	Barry Campbell	1996 - 2000	Tasmania
AKA Inc	Ralph van Doorn	2001 - 2002	Queensland
AKA Inc	Donald Wells	2002 - 2003	Tasmania
AKA Inc	Adrian Adams	2003 - 2004	Queensland
AKA Inc	Late Brian Farley	2004 - 2005	New South Wales
AKA Inc	Ian Mooney	2005 - 2007	South Australia
AKA Inc	Simon Whiting	2007 - 2010	New South Wales
AKA Inc	David Murray	2010 - 2011	Victoria
AKA Inc	David Kissock	2012 - 2013	South Australia

National Secretaries

AKA Inc	G. Carlsen	17.08.63 - 10.07.65	New South Wales
AKA Inc	J. de Laroy	10.07.65 - 26.08.67	Victoria
AKA Inc	Neil Osborn	26.08.67 - 27.07.68	Queensland
AKA Inc	Late June Hodgetts	27.07.68 - 01.08.86	South Australia
AKA Inc	Kerry Staples	01.08.86 - 14.02.96	Western Australia
AKA Inc	David Clarke	14.02.96 - 29.08.03	Western Australia
AKA Inc	Pam Arnett	29.08.03 - 31.08.13	Victoria

National Treasurer

AKA Inc	Late J. Duckworth	29.03.64 - 27.07.68	Victoria
AKA Inc	Arthur Gore	27.07.68 - 02.08.85	Victoria
AKA Inc	Late Frank Swann	02.08.85 - 05.08.89	Western Australia
AKA Inc	Mike Harper	05.08.89 - 01.08.91	Queensland
AKA Inc	Ian Gibb	01.08.91 - 07.08.97	Western Australia
AKA Inc	Hugh Johnston	07.08.97 - 05.09.01	New South Wales
AKA Inc	Shane Glanville	02.09.01 - 01.03.02	New South Wales
AKA Inc	Mark Sullivan	20.06.02 - 06.02.03	Tasmania
AKA Inc	Alan Barclay	29.08.03 - 30.04.04	Victoria
AKA Inc	Max Laybutt	27.09.04 - 19.08.11	New South Wales
AKA Inc	Peter O'Neill	19.08.11 - 27.10.12	New South Wales

National Executive Member

AKA Inc	Craig Denton	03.05.11 - 11.09.11	South Australia
AKA Inc	Troy Hunt	11.09.11 - 31.08.13	New South Wales

A	Rule Number
Alcohol - Drugs in Sport Policy	Refer to www.karting.net.au
Alcohol / Drugs	General, Chapter 1 Rule 32
Alcohol / Drugs - Testing	General, Chapter 1 Rule 32
Alcohol and Prohibited Substances Offences	General, Chapter 8 Rule 5 b)
AMSAC - Australian Motor Sport Appeal Court	General, Chapter 14
Appeals	General, Chapter 14
Appeals - Right of Appeal	General, Chapter 14 Rule 2
Appeals - Procedures, Time Limits & Fees	General, Chapter 14 Rule 3
Appeals - Tribunal Procedure	General, Chapter 13
Appeals - Withdrawal	General, Chapter 14 Rule 3

C	Rule Number
Classes	Class, Chapters 1-23
Classes - Consolidation of	Competition, Chapter 1 Rule 9
Classes - Over-Subscribed	Competition, Chapter 5
Classes - Under-Subscribed	Competition, Chapter 5
Communication - Cybersafety Policy	Refer to www.karting.net.au
Communication - Officials Radio Communications	General, Chapter 4 Rule 13
Communication - Telemetry	Technical, Chapter 1, Rule 7 d)
Competition - Alteration to Competition	General, Chapter 1 Rule 25
Competition - Announcement of Jurisdiction	General, Chapter 1 Rule 10
Competition - Duration of Meeting	General, Chapter 1 Rule 15
Competition - Postponement / Abandonment	General, Chapter 1 Rule 25
Competition - Practice	Competition, Chapter 1 Rule 18
Competition - Practice Discretion	Competition, Chapter 1 Rule 18
Competition - Supplementary Regulations Format	General, Chapter 5 Rule 3
Competition - Types	General, Chapter 1 Rule 7
Competition - Unauthorised	General, Chapter 1 Rule 24
Competition - Warm Up	Competition, Chapter 1 Rule 17

D	Rule Number
Driver's Briefing	Competition, Chapter 1 Rule 6
Drivers – Code of Driving Conduct	Competition, Chapter 3

Drivers - Disabled	Competition, Chapter 4 Rule 17
Drivers - Responsibilities	General, Chapter 1 Rule 4 & 5
Driving - Dangerous Re-Entry to Track	Competition, Chapter 3
Driving - Ducking Head	Competition, Chapter 1 Rule 13
Driving - Finishing Under Power	Competition, Chapter 1 Rule 27
Driving - Hinder Another Driver	Competition, Chapter 3
Driving - Holding a Line	Competition, Chapter 3
Driving - Leaving / Rejoining Track	Competition, Chapter 3
Driving - Observed Driving / Driving Standard	Competition, Chapter 1 Rule 12
Driving - Opposite Direction	Competition, Chapter 1 Rule 2
Driving - Shaking Hands	Competition, Chapter 1 Rule 13
Driving - Apparel	Technical, Chapter 7
E	
	Rule Number
Earplugs	Technical, Chapter 5 Rule 7
Earplugs - Spectators	Technical, Chapter 5 Rule 7
Engine - Engines and Transmission	Class, Refer to specific Class Rules
Engine - Liquid Cooled	Technical, Chapter 1 Rule 9 h)
Engine - Measuring	Technical, Chapter 6
Engine - Number of	Technical, Chapter 1 Rule 9 & Class, Refer to specific Class Rules
Engine - Replacement	Class, Refer to specific Class Rules
Engine – Running in an engine	General, Chapter 1 Rule 21
Engine - Sealing Nuts	Technical, Chapter 6 Rule 5
Engine - Sealing Tags - Method of Issuing	Technical, Chapter 6 Rule 5
Engine - Seals / Tags - Loss of	Technical, Chapter 6 Rule 5
Entries - Acceptance of Entry / Right to Reject	General, Chapter 1 Rule 17
Entries - Multiple Entry of a Kart/Engine	Technical, Chapter 1 Rule 9 e)
Events – Club Championship and Club	Competition, Chapter 5 Rule 7
Events – National Championships	Competition, Chapter 5 Rule 2
Events – National Cup, National	Competition, Chapter 5 Rule 5
Events – National Series	Competition, Chapter 5 Rule 3
Events – State Championships	Competition, Chapter 5 Rule 4
Events – State Series, State Cup, State Trophy & Zonal Championship	Competition, Chapter 5 Rule 6

F	Rule Number
Fees	General, Chapter 2
First Aid / Ambulance	General, Chapter 6
Flag Signals / Lights	Competition, Chapter 2
Fluids - Cleaning Fluid In Paddock	General, Chapter 4 Rule 15
Fuel	Technical, Chapter 3
Fuel - Additives	Technical, Chapter 3 Rule 5
Fuel - Approved	Technical, Chapter 3 Rule 2
Fuel - Containers	General, Chapter 4 Rule 11 b)
Fuel - Control	Technical, Chapter 3 Rule 3
Fuel - Offences	Technical, Chapter 3 Rule 6
Fuel - Overflow Bottles	Technical, Chapter 1 Rule 9 i)
Fuel - Testing Equipment	Technical, Chapter 6 Rule 12
Fuel - Testing	Technical, Chapter 6 Rule 12
G	
G	Rule Number
Gridding - Rolling Start	Competition, Chapter 1 Rule 22 d)
Gridding - System of	Competition, Chapter 1 Rule 21
Gridding - One Lap to Vacate the Grid	Competition, Chapter 1 Rule 21 i)
Gridding - Two Minutes to Fill The Grid	Competition, Chapter 1 Rule 21 c)
Guards - Chain / Engine	Technical, Chapter 1 Rule 9 g) (iii)
H	
H	Rule Number
Homologation	Technical, Chapter 2
I	
I	Rule Number
Insurance	General, Chapter 3
Injured Driver Clearance	Competition, Chapter 1 Rule 8
K	
K	Rule Number
Kart - Advertising	General, Chapter 1 Rule 23
Kart - Airbox / Induction Noise Silencer / Adapter	Technical, Chapter 1 Rule 9 m)
Kart - Bar Codes	Technical, Chapter 6 Rule 1 c)
Kart - Batteries	Technical, Chapter 1 Rule 8 i) (ii)

Kart - Cameras on Karts	Technical, Chapter 1 Rule 8 i) (iv) & Class Refer to specific Class Rules
Kart - Ceramic Materials	Technical, Chapter 1 Rule 6 e)
Kart - Change of Chassis	General, Chapter 1 Rule 28
Kart - Chassis	Technical, Chapter 1 Rule 8
Kart - Clutches	Technical, Chapter 1 Rule 9 g) (ii)
Kart - Exhaust Muffler	Technical, Chapter 1 Rule 9 n) (viii)
Kart - Exhaust Header Pipe & Exhaust System	Technical, Chapter 1 Rule 9 n)
Kart - Exotic Materials	Technical, Chapter 1 Rule 6 f)
Kart - Australian Formula	Technical, Chapter 1
Kart - Nassau Panel	Technical, Chapter 1 Rule 8 g) (v)
Kart - Non-Technical Items	Technical, Chapter 1 Rule 10
Kart - Front Fairing (Nose cones)	Technical, Chapter 1 Rule 8 g) (ii)
Kart - Side Pods	Technical, Chapter 1 Rule 8 g) (iv)
Kart - Steering	Technical, Chapter 1 Rule 8 h) (i)

L

Rule Number

Licences	Competition, Chapter 4
Licences - Age Divisions	Competition, Chapter 4 Rule 16
Licences - Endorsement A Grade	Competition, Chapter 4 Rule 18
Licences - Endorsement B Grade	Competition, Chapter 4 Rule 18
Licences - Endorsement C Grade	Competition, Chapter 4 Rule 18
Licences - Endorsement D Grade	Competition, Chapter 4 Rule 18
Licences - Types	Competition, Chapter 4 Rule 16 – Rule 27
Licences - Grading & Upgrading	Competition, Chapter 4 Rule 15
Licences - Expiry of Licences	Competition, Chapter 4 Rule 12
Licences - Withdrawal of	Competition, Chapter 4 Rule 11
Licences – Production of	Competition, Chapter 4 Rule 13
Licences – Refusal of	Competition, Chapter 4 Rule 8
Licences – Responsibility of Competitor, Driver, Other	General, Chapter 1 Rule 5

N	Rule Number
Noise	Technical, Chapter 5
Noise - Control	Technical, Chapter 5
Noise - Induction Silencer Adaptor	Technical, Chapter 1 Rule 9 l) (viii)
Noise - Induction Silencer	Technical, Chapter 1 Rule 9 m)
Noise - Measuring	Technical, Chapter 5 Rule 3
Noise - Offences & Penalties	Technical, Chapter 5 Rule 6
Noise - Permitted Level	Technical, Chapter 5 Rule 2
Noise - Safety	Technical, Chapter 5 Rule 7
Noise - Testing Equipment	Technical, Chapter 5 Rule 3
Numbers	Competition, Chapter 1 Rule 11
Numbers - Same Numbers in One Class	Competition, Chapter 1 Rule 11 j)
O	
Offences	Rule Number
Offences	General, Chapter 8
Offences - Abuse or Intimidation and Threats	General, Chapter 8 Rule 5 m)
Offences – Conduct Prejudicial	General, Chapter 8 Rule 5 d)
Offences - Fail or Refuse to Present Kart	General, Chapter 8 Rule 5 p)
Offences - Failure to Obey	General, Chapter 8 Rule 5 j)
Offences - Heat Guns / Heating Devices	Technical, Chapter 4 Rule 1 f)
Offences - Illegal Engine or Part	General, Chapter 8 Rule 5 p)
Offences - Intimidation, Abuse and Threats	General, Chapter 8 Rule 5 m)
Offences - Error by Judge of Fact	General, Chapter 7 Rule 19 g)
Offences - Passing Under Yellow Flag	Competition, Chapter 2 Rule 2 e)
Offences - Remove Impounded Kart	Technical, Chapter 6 Rule 3
Offences - Remove Seal / Mark	Technical, Chapter 6 Rule 5
Offences - Smoking / Welding	General, Chapter 4 Rule 14
Offences - Reprimand	General, Chapter 9 Rule 6
Officials - Duties	General, Chapter 7
Officials - Essential	General, Chapter 7 Rule 4
Officials - Judge of Fact	General, Chapter 7 Rule 20
Officials - Judge of Fact - No Protest	General, Chapter 12 Rule 3
Officials - Safety of	General, Chapter 4 Rule 12

P	Rule Number
Penalties	General Chapter 9
Penalties - Disqualification From Event	General, Chapter 9 Rule 6
Penalties - Disqualification from Meeting	General, Chapter 9 Rule 6
Penalties - Disqualification From section of the Event	General, Chapter 9 Rule 6
Penalties - Disqualification or Suspension	General, Chapter 9 Rule 6
Penalties - Maximum - By Tribunal	General, Chapter 9, Rule 14
Penalties - Maximum - Stewards	General, Chapter 9 Rule 6
Penalties - Endorsement On Licence	General, Chapter 9 Rule 12
Penalties - Points	General, Chapter 9 Rule 6
Penalties - Suspension	General, Chapter 9 Rule 6
Penalties - Suspension / Driver	General, Chapter 9 Rule 6
Penalties - Time	General, Chapter 9 Rule 6
Photography - Images	General, Chapter 1 Rule 34
Pit Crew - Apparel	Technical, Chapter 7 Rule 6
Pit Crew - On Track	Competition, Chapter 1 Rule 23
Protective Clothing	Technical, Chapter 7
Protective Clothing - Safety Helmet – Cadets Only	Technical, Chapter 7 Rule 2 k)
Protective Clothing - Helmet / Safety Apparel Within Track	Competition, Chapter 1 Rule 7
Protective Clothing - Helmet Damaged	Technical, Chapter 7 Rule 2 b)
Protective Clothing - Long Hair	Technical, Chapter 7 Rule 1 c)
Protective Clothing - Helmet	Technical, Chapter 7 Rule 2
Protective Clothing - Wearing Safety Apparel	Competition, Chapter 1 Rule 7
R	Rule Number
Racing - Code of Driving Conduct	Competition, Chapter 1 Rule 2
Racing - Lapping Competitor	Competition, Chapter 3
Racing - Opposite Direction to	Competition, Chapter 1 Rule 2
Racing - Outside assistance	Competition, Chapter 1 Rule 21 & 23
Racing - Pole Sitter	Competition, Chapter 1 Rule 22
Racing - Qualifying - Fail to Register a Time	Competition, Chapter 1 Rule 19 k)
Racing - Race Line	Competition, Chapter 3
Racing - Red Flag - Race Neutralisation	Competition, Chapter 1 Rule 24
Racing - Rejoining Track	Competition, Chapter 3

Racing - Shorten / Lengthen a Race	Competition, Chapter 1 Rule 4
Racing - Stoppage	Competition, Chapter 1 Rule 25
Racing - Restart	Competition, Chapter 1 Rule 26
Racing - Qualifying	Competition, Chapter 1 Rule 19
Racing - Use of Track During a Race	Competition, Chapter 3
Racing - Win by Default	Competition, Chapter 1 Rule 28
Racing - Winner of Draw	Competition, Chapter 1 Rule 29
Racing - Withdrawal from Event	General, Chapter 1 Rule 22
Rules - Acquaintance with	General, Chapter 1 Rules 5 & 6
Rules - Spirit and Intent	General, Chapter 1 Rule 3
S	
Rule Number	
Scrutineering - Inspection /Kart / Apparel	Technical, Chapter 6 Rule 1
Scrutineering - Inspection Any Time	Technical, Chapter 6
Scrutineering - Post Event Scrutineering	Technical, Chapter 6 Rule 3
Scrutineering - Stickers	Technical, Chapter 6 Rule 1
Scrutineering / Technical Inspection	General, Chapter 1 Rule 18 & Technical, Chapter 6
Start - Procedure	Competition, Chapter 1 Rule 22
Starting - Assistance Before Start - Junior	Competition, Chapter 1 Rule 23
Starting - Reaching Baulk Line	Competition, Chapter 1 Rule 21
Starting - Breaking Start	Competition, Chapter 1 Rule 22
Starting - Restarting - Karts Fitted With Clutches	Competition, Chapter 1 Rule 23
Starting - Restarting Kart	Competition, Chapter 1 Rule 23
Starting - Stalled Kart	Competition, Chapter 1 Rule 22
Starting - Standing Starts	Competition, Chapter 1 Rule 22 e)
Starting - Start Out of Position	Competition, Chapter 1 Rule 22
Starting Kart Engines - Outgrid	Technical, Chapter 5 Rule 7
Starting Kart Engines - Pits	Technical, Chapter 5 Rule 7
Stewards - Hearing	General, Chapter 11
Stewards - Hearing - Procedures	General, Chapter 11 Rule 2
Stewards - Junior Facing Stewards	General, Chapter 11 Rule 1 f)
Stewards - Power of	General, Chapter 7 Rule 11
Stewards - Circuit Maintenance	General, Chapter 4 Rule 4

T	Rule Number
Technical	Technical Rules
Technical - Compliance Checking	Technical, Chapter 6
Technical - Cylinder Head Volume Testing	Technical, Chapter 6 Rule 7
Track	General, Chapter 4
Track - Breakdown Lane	General, Chapter 4 Rule 10
Track - Track Standard / Length	General, Chapter 4
Track - Inspection - State / Biennial	General, Chapter 4 Rule 3
Track - Licence	General, Chapter 4 Rule 1
Track - Lines - Formation Line	General, Chapter 4 Rule 6
Track - Lines - Baulk Line	General, Chapter 4 Rule 5
Track - Lines - Start / Finish Line	General, Chapter 4 Rule 8 & 9
Track - Log Book	General, Chapter 4 Rule 4 c)
Track - CIK Starting Grid	General, Chapter 4 Rule 7
Track - Parc Ferme / Paddock	General, Chapter 4 Rule 11
Track - Retrieval Vehicles / Trailers	General, Chapter 4 Rule 19
Track - Safety Officer - Club	General, Chapter 4 Rule 2
Track - Temporary Circuit	General, Chapter 4 Rule 16
Transponders - Driver Responsibility	Competition, Chapter 1 Rule 10
Transponders - Fitting	Technical, Chapter 1 Rule 8 i)
Tyres	Technical, Chapter 4
Tyres - Approved	Technical, Chapter 4 Rule 1
Tyres - Bead Retention	Technical, Chapter 1 Rule 8 c) (i) 6)
Tyres - Change of Tyres	Technical, Chapter 4 Rule 4
Tyres - Choice - Wet or Dry	Technical, Chapter 4 Rule 2
Tyres - Combination-Wet/Dry (Excludes Chapter 44)	Technical, Chapter 4 Rule 1 g)
Tyres - Damaged or Worn-Out	Technical, Chapter 4 Rule 4
Tyres - Marking and / or Recording	Technical, Chapter 4 Rule 1
Tyres - Number Permitted	Technical, Chapter 4 Rule 3 & Class, Refer to specific Class
Tyres - Pooling	Technical, Chapter 4 Rule 5
Tyres - Pre-Heating	Technical, Chapter 4 Rule 1 c)
Tyres - Treatment	Technical, Chapter 4 Rule 1 c)

W	Rule Number
Weight - Ballast	Technical, Chapter 1 Rule 5
Weight – Minimum	Technical, Chapter 1 Rule 5 & Class, Refer to specific Class Rules
Weight - General	General, Chapter 1 Rule 20
Weight - In Apparel	Technical, Chapter 7 Rule 1 e)
Weight - Kart Maximum - Heavy Classes	Class, Refer to specific Class Rules
Weight – Judge of Fact	General, Chapter 7 Rule 24
Weight - Scales	General, Chapter 7 Rule 24 & Technical, Chapter 1 Rule 5

Update Log

Update Log		
UPDATED	PAGE No	DESCRIPTION
12/01/22	78	Start Procedure Infringement – Rule Reference Correction
12/01/22	248	Class Ch 12 R 6 a) d) (ii) 2) 8. Correction of restrictor size
12/01/22	179	Technical Ch 1 R 8 i) (iii) 2) Clarification of permitted sensors
12/01/22	248	Class Ch 12 R 6 a) d) (ii) 2) 5. Correction of typo from 22.8mm to 22.7mm
12/01/22	258	Class Ch 15 R 4 a) Correction of Licence required
12/01/22	283	Class Ch 21 R 9 a) iii) inclusion of a maximum kart weight
12/01/22	286	Class Ch 21 R 9 a) iii) inclusion of a maximum kart weight
8/04/2022	236	Class Ch 8 R 7. Junior Performance Tyres
8/04/2022	252	Class Ch 13 R 6 d) (ii) 1. Restrictor Plate in accordance with Homologation
8/04/2022	253	Class Ch 13 R 9. Reduction in Rotax weights
26/05/2022	10	Directors Kevin Davis - Chairman and Garth Tander Director
26/05/2022	12	Definitions – International Competition and Licence
26/05/2022	43	General Rules Chapter 1, Rule 24 – Unrecognised Competitions
26/05/2022	46	<i>General Rules Chapter 1, Rule 35 – Starting Permission – International Competitions</i>
26/05/2022	66	<i>Race Prosecutor</i>
26/05/2022	82	<i>Infringement Notice</i>
26/05/2022	119	<i>Competition Ch 1 R 22 e) (iv) (vii) and (viii)</i>
26/05/2022	122	<i>Competition Rules Ch 1 R25 c) and d) Race Stoppage procedures</i>
26/05/2022	122	<i>Competition Rules Ch 1 R26 c) Race Restart (Race Stopped on 1st Lap)</i>
26/05/2022	138	<i>Competition Rules Chapter 4, Rule 16 f) – FIA-CIK International E, F and G Licences</i>
26/05/2022	153	<i>Competition Rules Chapter 5, Rule 4 e) (iii) 5)</i>
26/05/2022	181	<i>Technical Rules Chapter 1, Rule 8 i) (iii) 2) – Data Logging Equipment</i>



ARE YOU READY TO ROK?

INTRODUCING THE MOST EXCITING TAG ENGINE TO HIT AUSTRALIA!



ROK-GP TaG Rok GP

DISPLACEMENT 125 CC

MAX POWER 36HP AT 12,500 RPM

MAX TORQUE 20.2 NM AT 11,500 RPM

MAX RPM 15,000 RPM

Rok GP immediately conquered the hearts of drivers around the world, for its spirited soul and a practical structure, which aims to achieve high performance, while ensuring high reliability.



ROK SHIFTER

Rok Shifter was born to meet the needs of many drivers who want to compete in a category with the gearbox, but always according to the Rok philosophy: low costs and steady regulations over the time.

patrizicorse.com
KARTINGONLINE 



12V 3/8" DR MINI CORDLESS IMPACT WRENCH

SP81113

TORQUE
105Nm

SPEED
2200RPM

INCLUDES 1X
2.0AH BATTERY
& CHARGER



1/4", 3/8" & 1/2" DR SOCKET SET METRIC/SAE 59 PIECE

12
Point

SP20280

- 1/4": 4 to 22mm • 1/4 to 1/2"
- 3/8": 13 to 19mm • 9/16 to 3/4"
- 1/2": 21, 22, 24, 27, 30 & 32mm • 13/16 - 1-1/4"
- Spark Plug Sockets • Inhex • 45T Ratchets
- Flex Handle • Extension Bars

GEAR DRIVE ROE QUAD DRIVE SPANNER SET METRIC - 9 PIECE

SP10109 REVERSIBLE 15° OFFSET

- 8, 10, 12, 13, 14, 15, 17, 18 & 19mm
- 15° Offset allows users to work quickly and efficiently in tight spaces.
- Quick reverse switch eliminates the need to turn over the spanner to change ratchet direction.
- Small head profile designed for working in confined spaces.



PROUD SUPPORTERS OF

