



Appendix A

“Technical Regulations to Rotax Max Engine Homologation Documents”

125 Mini MAX Evo MY20 Homologation No. 111H/RH
125 Junior MAX Evo Homologation No. 112H/RH
125 Senior MAX Evo Homologation No. 113H/RH
125 DD2 MAX Evo Homologation No. 114H/RH



20 March 2023

Appendix A to ROTAX 125 MAX Homologation Documents

125 Mini MAX Evo MY20 No. 111H/RH

125 Junior MAX Evo No. 112H/RH

125 Senior MAX Evo No. 113H/RH

125 DD2 MAX Evo No. 114H/RH

INTRODUCTION AND RESTRICTIONS	4
BACKGROUND	5
1. GENERAL	6
1.1 INTERNATIONAL CATEGORIES.....	6
2. ENGINE MODIFICATIONS, REPAIRS AND ADDITIONS.....	7
2.1 MODIFICATIONS	7
2.2 INTERNAL ADDITIONS.....	7
2.3 LEGAL ADDITIONS.....	8
2.4 NON-TECH ITEMS.....	8
2.5 MEASUREMENTS	8
2.6 SQUISH GAP	9
2.7 COMBUSTION CHAMBER INSERT.....	9
2.8 PISTON WITH RING ASSEMBLY	10
2.9 PISTON PIN	11
2.10 CYLINDER	11
2.10.1 Cylinder has to be marked with the "ROTAX" logo.....	11
2.10.2 Height of cylinder.....	12
2.10.3 Cylinder surfaces.....	12
2.10.4 Exhaust port shape.....	15
2.10.5 Exhaust port timing.....	15
2.11 INLET SYSTEM.....	16
2.11.1 Reed valve assy.	16
2.11.2 Inlet manifold	16
2.12 CRANKSHAFT	17
2.12.1 Con rod.....	17
2.12.2 Ignition signal on crankshaft	17
2.12.3 Crankshaft main bearings.....	17
2.13 BALANCE SHAFT	17
2.13.1 2-speed gearbox (for 125 MAX DD2 only)	18
2.13.2 Crankcase	18
3. TECHNICAL SPECIFICATION OUTSIDE THE ENGINE SEAL FOR ROTAX MAX KART ENGINES	19

Appendix A to ROTAX 125 MAX Homologation Documents

125 Mini MAX Evo MY20 No. 111H/RH

125 Junior MAX Evo No. 112H/RH

125 Senior MAX Evo No. 113H/RH

125 DD2 MAX Evo No. 114H/RH

3.1	BALANCE DRIVE	19
3.2	CENTRIFUGAL CLUTCH	20
3.2.1	Components	20
3.2.2	Clutch dimensions	21
3.3	PRIMARY DRIVE (125 MAX DD2).....	21
3.4	GEAR SHIFTING (125 MAX DD2).....	22
3.5	COMBINATION OF IGNITION SYSTEM, CARBURETTOR AND EXHAUST SYSTEM	22
3.6	EXHAUST VALVE (125 SENIOR MAX AND 125 MAX DD2)	23
3.6.1	Exhaust valve	23
3.6.2	Distance of exhaust valve flange at cylinder to piston	23
3.6.3	Impulse nozzle:.....	23
3.6.4	Exhaust valve settings	24
3.7	IGNITION SYSTEM.....	25
3.7.1	Spark plug	25
3.7.2	Spark plug caps.....	25
3.7.3	Pick-up	26
3.7.4	Ignition System.....	26
3.7.5	ECU.....	28
3.8	BATTERY, BATTERY FIXATION AND WIRING HARNESS.....	29
3.9	INTAKE SILENCER.....	31
3.10	CARBURETTOR	33
3.11	FUEL PUMP, FUEL FILTER	38
3.12	FUEL FILTER	38
3.13	RADIATOR.....	39
3.14	ENGINE COOLANT.....	Error! Bookmark not defined.
3.15	EXHAUST SOCKET (RESTRICTOR).....	41
3.16	EXHAUST SYSTEM	42
3.17	125 MINI MAX	45
3.18	JUNIOR MAX AND 125 SENIOR MAX	47
3.19	125 DD2 MAX.....	48
3.20	ADDITIONAL SEAT SUPPORT (125 MAX DD2)	49

Appendix A to ROTAX 125 MAX Homologation Documents

125 Mini MAX Evo MY20 No. 111H/RH

125 Junior MAX Evo No. 112H/RH

125 Senior MAX Evo No. 113H/RH

125 DD2 MAX Evo No. 114H/RH

INTRODUCTION AND RESTRICTIONS

The general and model specific (e.g. Senior Max (112H/RH)) specifications and details contained in this document are additional to the specifications and details contained in the Karting Australia Homologation Documents for the ROTAX 125 MAX engine models – **Mini Max (111H/RH), Junior Max (112H/RH), Senior Max (113H/RH) and DD2 Max (114H/RH)** (the “Engine/s”) and are to be read in conjunction with the specifications and details contained therein. The general and model-specific details outlined herein, form part of the Homologation Documents for each Engine.

The Engine must always be used and be presented in strict conformity with the specifications detailed in the Homologation documents, including Appendix A. Unless otherwise permitted by Karting Australia, only Rotax OEM parts that have been manufactured and/or supplied by Rotax for the Engine are permitted to be used in the Engine at any time.

Neither the Engine nor any of its ancillary components may be modified other than in accordance with the rules and these homologation documents. Any removal, addition or polishing of material is strictly forbidden. Sandblasting, glass bead blasting, vapor blasting, wet blasting, liquid honing, peening, acid etching, spark eroding and/or any other method of metal removal or displacement is not allowed.

The use of thermal barrier coatings/ceramic coatings on or in the Engine/Engine components and on or in exhaust components is prohibited. The use of anti-friction coatings on or in the Engine/Engine components is prohibited. OEM pistons are exempt.

**UNLESS IN THE KARTING AUSTRALIA RULES AND/OR THESE
HOMOLOGATION AND TECHNICAL SPECIFICATION DOCUMENTS, IT SAYS
THAT YOU CAN DO SOMETHING, THEN YOU CANNOT DO IT.**

NOTE: ALL ENGINE PARTS MUST BE ORIGINAL BY BRP ROTAX.

Neither the engine nor any of its ancillaries may be modified in any way unless specifically permitted in the engine homologation documents and this Appendix A.

"Modified" is defined as any change in form, content or function that represents a condition of difference from that originally designed. This is to include the addition and / or omission of parts and/or material from the engine package assembly unless specifically allowed within these rules. The adjustment of elements specifically designed for that purpose shall not be classified as modifications, i.e., carburettor and exhaust valve adjustment screws.

Appendix A to ROTAX 125 MAX Homologation Documents

125 Mini MAX Evo MY20 No. 111H/RH

125 Junior MAX Evo No. 112H/RH

125 Senior MAX Evo No. 113H/RH

125 DD2 MAX Evo No. 114H/RH

FOR AUSTRALIAN KARTING COMPETITION - GENERAL

BACKGROUND

EVO Engine Introduction to Australian Karting - 2015

Rotax introduced the EVO kart engines into Australia at the commencement of the 2015 competition year. In the years 2015 to 2021 (until the date of expiration of the homologations covering each Engine), Karting Australia's Rules and homologations treated the Engines in the following ways:

- a. A **"FULL EVO 2015 ENGINE" (EVO)** was a complete new Rotax EVO Engine including exhaust system as homologated by KA in 2015 and that had been purchased after 1 January 2015. An EVO engine must always use all the EVO Components as homologated.
- b. An **"UPGRADED TO EVO ENGINE" (EVO)** is a previously homologated Junior Max, Rotax 125 or DD2 engine (**"Older Engines"**) that had been wholly or partially upgraded to EVO Engine specification by the addition of any of the Performance Components listed in the technical specifications prevailing at that time.
- c. A **"NON-EVO ENGINE" (NON EVO)** was a previously homologated Junior Max, Rotax 125 or DD2 engine (**"Older Engines"**) that had not been wholly or partially upgraded to EVO Engine specification by the addition of any of the Performance Components listed in the homologation documents.

2023 HOMOLOGATION

With the effluxion of time (8 years) and the re-homologation of the Engines, Karting Australia and BRP Rotax have made the decision that there is no longer any need to separate the Rotax 125 Max family of engines into Full, Upgrade and Non-EVO engines.

Notwithstanding, the 2015 Rotax Engines homologation documents will be archived on the Karting Australia web site so that if it ever becomes necessary to determine, an Older Engine's technical compliance issue, the information is available.

Appendix A to ROTAX 125 MAX Homologation Documents

125 Mini MAX Evo MY20 No. 111H/RH

125 Junior MAX Evo No. 112H/RH

125 Senior MAX Evo No. 113H/RH

125 DD2 MAX Evo No. 114H/RH

1. GENERAL

The Technical Regulations that follow are extracted from the RMC Technical Regulations 2023.

They are to be read in conjunction with the relevant Engine Homologation documents and the National Competition Rules of Karting Australia (**Rules**).

1.1 INTERNATIONAL CATEGORIES

Karts used in the Rotax MAX Challenge (RMC), and International Rotax MAX Challenge Events (IRMCE) are divided into the following classes:

- 125 Micro MAX (Not currently offered in Australian Karting Competition)
- 125 Mini MAX
- 125 Junior MAX
- 125 Senior MAX and Senior MAX Masters
- 125 MAX DD2 and MAX DD2 Masters

Note

The 125 Junior MAX engine is the basis for the engine configuration of 125 Mini MAX. Only the deviations for 125 Mini MAX from the standard Technical Regulation for the 125 Junior MAX engine are defined.

The 125 Senior MAX engine is the basis for the engine configurations in the 125 Senior MAX Masters class with regards to all the component related regulations, except for class weight and driver's age.

The 125 MAX DD2 engine is the basis for the engine configurations in the 125 MAX DD2 Masters class with regards to all the component related regulations, except for class weight and driver's age.

Appendix A to ROTAX 125 MAX Homologation Documents

125 Mini MAX Evo MY20 No. 111H/RH

125 Junior MAX Evo No. 112H/RH

125 Senior MAX Evo No. 113H/RH

125 DD2 MAX Evo No. 114H/RH

2. ENGINE MODIFICATIONS, REPAIRS AND ADDITIONS

2.1 MODIFICATIONS

Neither the engine nor any of its ancillaries may be modified in any way. "Modified" is defined as any change in form, content or function that represents a condition of difference from that originally designed. This is to include the addition and / or omission of parts and/or material from the engine package assembly unless specifically allowed within these rules. The adjustment of elements specifically designed for that purpose shall not be classified as modifications, i.e., carburettor and exhaust valve adjustment screws.

The repair of a thread on the crankcase (maximum of three threaded holes per crankcase) using a "Heli - coil" or similar is allowed.

Exception: The threads located under the crankcase to fix the crankcase on the engine mount may be repaired as needed.

The repair of a thread on the cylinder (maximum of three threaded holes per cylinder) using a "Heli - coil" or similar is allowed.

Genuine ROTAX components only that are specifically designed and supplied for the 125 Mini MAX, 125 Junior MAX, the 125 Senior MAX and the 125 MAX DD2 engine are legal, unless otherwise specified.

Note

ANYTHING WHICH IS NOT EXPRESSLY ALLOWED IN THE TECHNICAL REGULATIONS IS FORBIDDEN.

2.2 INTERNAL ADDITIONS

No additional material may be added except in the case of engine repairs and shall only restore the engine or components to original specifications.

The use of thermal barrier coatings/ceramic coatings on or in the engine and on or in the exhaust system is prohibited.

The use of anti-friction coatings in or on the engine/engine components is prohibited.

Appendix A to ROTAX 125 MAX Homologation Documents

125 Mini MAX Evo MY20 No. 111H/RH

125 Junior MAX Evo No. 112H/RH

125 Senior MAX Evo No. 113H/RH

125 DD2 MAX Evo No. 114H/RH

Example of allowed repairs (but not limited to):

Example 1, Damaged Cylinder due to freezing.

It is allowed to repair the cracked cylinder by welding.

It would also be allowed to dress / finish the area marked red to restore the part to the original specification.

It would not be allowed to dress / finish areas not effected by damage.



Example 2, Exhaust valve flange area repair.

Exhaust valve flange area (marked red) is damaged through contact wear with the exhaust valve.

It would be permitted to repair the red marked area only.

To dress or finish the area which was repaired in the red area would be allowed to ensure the engine is restored to its original specification.



Note

Removal of additional, as supplied material from the surrounding areas is strictly forbidden.

2.3 LEGAL ADDITIONS

Chain guard, engine mount, temperature gauge and tachometer/hour meter, catch cans for liquids with mounting brackets.

Customizing the cylinder head cover by painting is legal.

Sensor for exhaust gas temperature (see exhaust systems).

2.4 NON-TECH ITEMS

Non-original fasteners, circlips, washers, throttle cable housing, fuel and pulse line (type and size) as well as length of coolant hoses are allowed unless otherwise specified.

2.5 MEASUREMENTS

When taking any dimensional reading, of the following technical regulation, in the order of accuracy of 0.10 mm or even more precise, the temperature of the part must be between +10°C and +30°C.

Appendix A to ROTAX 125 MAX Homologation Documents

125 Mini MAX Evo MY20 No. 111H/RH

125 Junior MAX Evo No. 112H/RH

125 Senior MAX Evo No. 113H/RH

125 DD2 MAX Evo No. 114H/RH

TECHNICAL SPECIFICATION WITHIN THE ENGINE SEAL FOR ROTAX MAX KART ENGINES

2.6 SQUISH GAP

The crankshaft must be turned by hand slowly over top dead centre to squeeze the tin wire. The squish gap must be measured on the left and right side in the direction of the piston pin. The average value of the two measurements counts.

		Minimum
125 Mini MAX	2-mm tin wire (Rotax 580130)	1.20 mm
125 Junior MAX	2-mm tin wire (Rotax 580130)	1.20 mm
125 Senior MAX / Masters	2-mm tin wire (Rotax 580130)	1.00 mm
125 MAX DD2 / Masters	2-mm tin wire (Rotax 580130)	1.30 mm

To achieve the defined minimum squish gap one spacer (Rotax 626420, with same shape as cylinder base gasket) in combination with at least two-cylinder base gaskets (one below the spacer and one above the spacer) must be used.

2.7 COMBUSTION CHAMBER INSERT

Cast identification code must be either:

- 223389
- 223389 1
- 223389 2
- 223389 2/1
- 223389 2/2

The profile of the combustion chamber insert should be checked with a template (ROTAX 277390).

The crack of light between the template and the profile of the combustion chamber insert must be the same over the whole profile.



Appendix A to ROTAX 125 MAX Homologation Documents

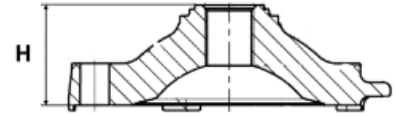
125 Mini MAX Evo MY20 No. 111H/RH

125 Junior MAX Evo No. 112H/RH

125 Senior MAX Evo No. 113H/RH

125 DD2 MAX Evo No. 114H/RH

Height [H] of combustion chamber insert has to be 28.80 mm +/- 0,2 mm.



Casted wording "ROTAX" and/or "MADE IN AUSTRIA" must be shown.

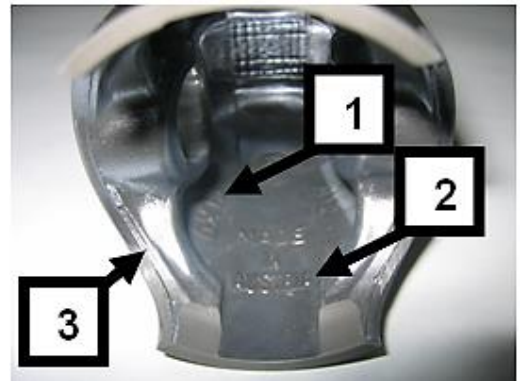


2.8 PISTON WITH RING ASSEMBLY

Original, coated, aluminium, cast piston with one piston ring. The piston has to show on the inside the cast wording "ELKO" [1] and "MADE IN AUSTRIA" [2].

Machined areas are:

- Top end of piston
- Outside diameter
- Groove for the piston ring
- Bore for the piston pin
- Inside diameter at bottom end of piston and some pre-existing factory removal [3] of flashing at the cut out of the piston skirt



All other surfaces are not machined and have cast surface.

Any mechanical treatment or rework of the piston is forbidden, (Altering the pistons profile by reworking carbon build-up is forbidden, if carbon is removed it must be consistently removed across the entire surface without altering the profile of the piston itself).

Example, selectively removing carbon in the squish measurement areas is forbidden.

Original, magnetic, rectangular piston ring.

Ring height: 0.98 +/- 0,02 mm.

Piston ring is marked either with:

- ROTAX 215547
- ROTAX 215548
- ROTAX 215548 X
- I ROTAX 215548 X



The piston ring is legal also if just parts of the marking are still visible.

Appendix A to ROTAX 125 MAX Homologation Documents

125 Mini MAX Evo MY20 No. 111H/RH

125 Junior MAX Evo No. 112H/RH

125 Senior MAX Evo No. 113H/RH

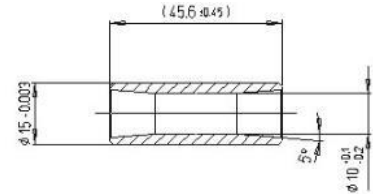
125 DD2 MAX Evo No. 114H/RH

2.9 PISTON PIN

Piston pin is made out of magnetic steel.

Dimensions must be according to the drawing.

The minimum weight of the piston pin must not be lower than 31.00 grams.



2.10 CYLINDER

Light-alloy-cylinder with GILNISIL - plating.

Any re-plating of cylinder is not allowed.

Maximum bore of cylinder = 54.035 mm (measured 10 mm above the exhaust port).

2.10.1 Cylinder has to be marked with the "ROTAX" logo (see pictures below).

125 Mini MAX and 125 Junior MAX:

Cylinder with one main exhaust port and without exhaust valve.

Cylinders marked with identification code 223994 only are legal to be used.



125 Senior MAX:

Cylinder with one main exhaust port and exhaust valve.

Cylinders marked (cast or machined) with identification code 223993 only are legal to be used.



Appendix A to ROTAX 125 MAX Homologation Documents

125 Mini MAX Evo MY20 No. 111H/RH

125 Junior MAX Evo No. 112H/RH

125 Senior MAX Evo No. 113H/RH

125 DD2 MAX Evo No. 114H/RH

125 MAX DD2:

Cylinder with one main exhaust port and two side exhaust ports and exhaust valve.

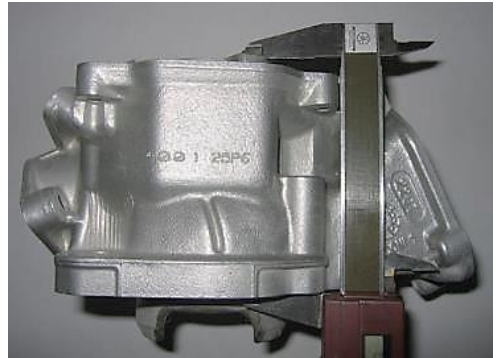
Cylinder has to be marked with identification code 613933.



2.10.2 Height of cylinder

Measured with a digital calliper min. length 200 mm.

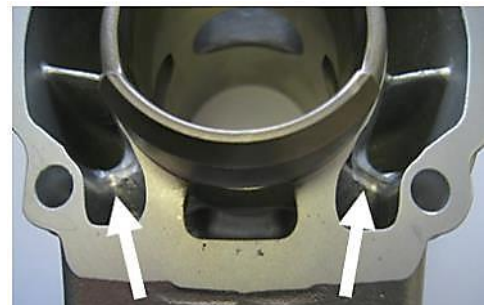
	Height	Tolerance
125 Mini MAX	87.00 mm	+0.1 mm
		-0.05 mm
125 Junior MAX	87.00 mm	+0.1 mm
		-0.05 mm
125 Senior MAX / Masters	87.00 mm	+0.1 mm
		-0.05 mm
125 MAX DD2 / Masters	86.70 mm	+0.1 mm
		-0.05 mm



2.10.3 Cylinder surfaces

All transfer ports and passages have cast finish surface except some removal (done by the manufacturer) of cast burr at the inlet passage, exhaust port and passages. All ports have chamfered edges to prevent ring snagging. Any additional machining is not permitted.

The top edge of exhaust port may show some pre-existing machining from the manufacturer. The sealing flange for the exhaust socket may show signs of machining from the manufacturer.



Appendix A to ROTAX 125 MAX Homologation Documents

125 Mini MAX Evo MY20 No. 111H/RH

125 Junior MAX Evo No. 112H/RH

125 Senior MAX Evo No. 113H/RH

125 DD2 MAX Evo No. 114H/RH

Important

All ports have chamfered edges. Any additional machining is not permitted.

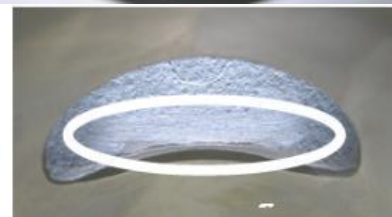
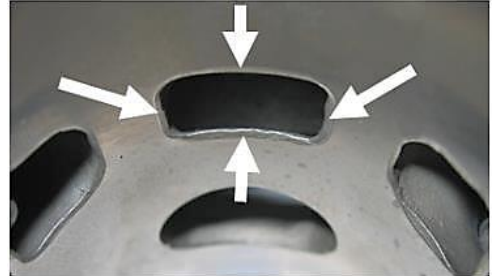
Cylinders marked 223993, 223994 and 613933 the upper edge of the central boost port may show factory machining

Important

The flange for the exhaust socket may show either cast finish or machined surface.

Machined surface can be either flat or show a circular sealing bump.

The top edge of the exhaust port may show either just a cast finish surface (left picture) or signs of a CNC machining (central picture) or signs of CNC machining in combination with signs of manual grinding (right picture).



The exhaust port may show partial manual grinding done by the manufacturer to eliminate minor casting defects and/or to eliminate the NIKASIL burr at the end of the NIKASIL plating (see above right picture).

Single Core Cylinder:

Cylinders marked 223994 and 223993 may show in the inlet port a linear texture.

Cylinders marked 223994 and 223993 with linear texture in the inlet port show a fully CNC machined exhaust port and a fully CNC machined top edge of the central boost port.

Appendix A to ROTAX 125 MAX Homologation Documents

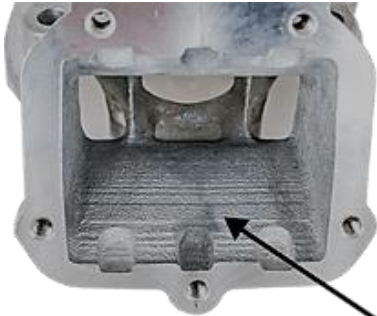
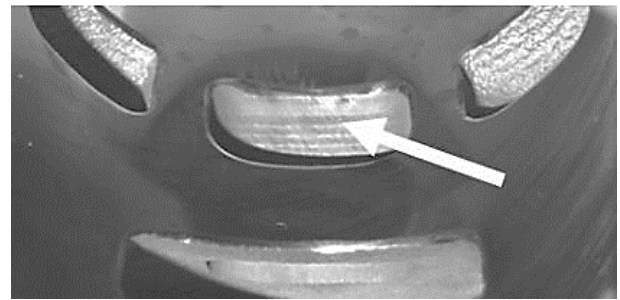
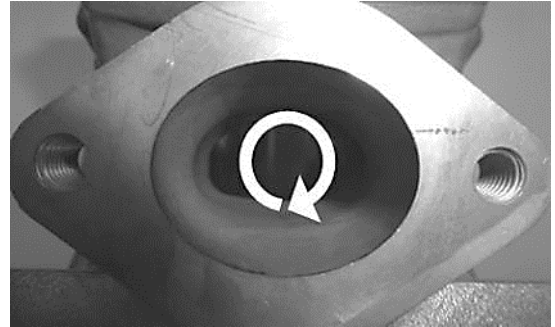
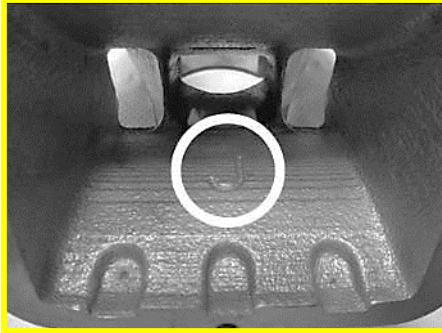
125 Mini MAX Evo MY20 No. 111H/RH

125 Junior MAX Evo No. 112H/RH

125 Senior MAX Evo No. 113H/RH

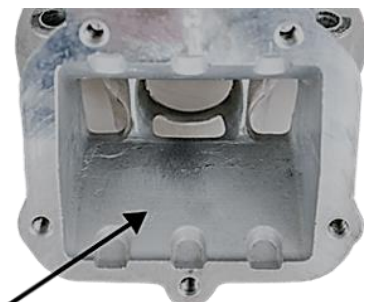
125 DD2 MAX Evo No. 114H/RH

Cylinders marked 613933 may show in the inlet port a linear texture.



Single Core Cylinder

Linear structured cast finish surface



Appendix A to ROTAX 125 MAX Homologation Documents

125 Mini MAX Evo MY20 No. 111H/RH

125 Junior MAX Evo No. 112H/RH

125 Senior MAX Evo No. 113H/RH

125 DD2 MAX Evo No. 114H/RH

2.10.4 Exhaust port shape

Cylinder 223994 with fully CNC machined exhaust port only:

The horizontal and vertical dimensions of the exhaust port have to be checked with the template, Rotax 676240.

Cylinder 223993 with fully CNC machined exhaust port only

The horizontal and vertical dimensions of the exhaust port have to be checked with the template, marked with 676245*.

Normal cast finish surface.

The template has to be moved in horizontal and vertical Position as far as Possible into the exhaust port.

In both directions, the template may not touch the flange for the exhaust socket.



2.10.5 Exhaust port timing

The "exhaust port timing" (distance from the top of the cylinder to the top of the exhaust port) should be checked by means of the template (ROTAX 277402).

Insert the template into the cylinder and move the template (at the highest point of the exhaust port) as far as Possible into the exhaust port.

In this Position the template may not touch the cylinder wall.

Take care to use the correct gauge for:

- Junior MAX (Junior template to be used for Mini MAX)
- Senior MAX
- MAX DD2



Appendix A to ROTAX 125 MAX Homologation Documents

125 Mini MAX Evo MY20 No. 111H/RH

125 Junior MAX Evo No. 112H/RH

125 Senior MAX Evo No. 113H/RH

125 DD2 MAX Evo No. 114H/RH

2.11 INLET SYSTEM

2.11.1 Reed valve assy.

The reed valve assy. is equipped with 2 petal stops and 2 reeds, each having 3 petals.

	Thickness	Tolerance
Reed Valve	0.6 mm	+0.10 mm -0.10 mm

Flattening of the curved reed valve stopper plates is forbidden.

The minimum gap between the 2 stopper plates must be greater than 17.00mm.

The measurement must be taken using a digital calliper from the inside surface of the stopper plates in line with the middle of each reed petal, as indicated by the red lines in the picture.



2.11.2 Inlet manifold

Some factory flash removal may be present at the conjunction of the inside contour and the carburettor stop mounting face. This is a manual trimming operation consisting of a small corner break of less than 3 mm in width. No additional grinding or machining is permitted.

125 Mini MAX, 125 Junior MAX and 125 Senior MAX:

Inlet manifold marked with the identification code "267915" and the name "ROTAX" or just "267916".

125 MAX DD2:

Inlet manifold marked with the identification code "267410" and the name "ROTAX" or just "267411".



Appendix A to ROTAX 125 MAX Homologation Documents

125 Mini MAX Evo MY20 No. 111H/RH

125 Junior MAX Evo No. 112H/RH

125 Senior MAX Evo No. 113H/RH

125 DD2 MAX Evo No. 114H/RH

2.12 CRANKSHAFT

2.12.1 Con rod

	Length	Tolerance
Stroke	54.5 mm	+0.10 mm -0.10 mm

Con rod has to show forged numbers "213", "365", "367" or "362" on shaft.

Shafts of con rods "213", "365" and "367" are not machined and are copper plated.

Shaft of con rod "362" is not copper plated and is blank (grey/brown).

Grinding or polishing of shaft of con rod is not permitted.



2.12.2 Ignition signal on crankshaft

Fit the template (Rotax 277391) on the crankshaft.

Align the hole in the template for the big end pin with the big end pin of the crankshaft.

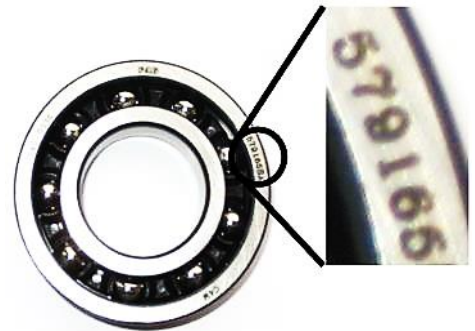
The two edges of the signal machining on the crankshaft must be in line (± 0.5 mm) with the corresponding edges (MAX or DD2) of the template.



2.12.3 Crankshaft main bearings

Crankshaft main bearing 6206 from FAG is allowed only.

Must be marked with code 579165BA, Z-579165.11.KL or Z-579165.21.KL



2.13 BALANCE SHAFT

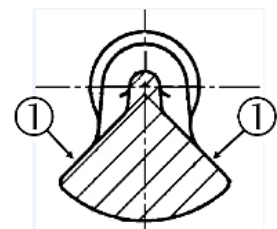
Balance shaft and balance gears must be installed.

125 Mini MAX, 125 Junior MAX and 125 Senior MAX:

Balance shaft must show casting code 6237948 or 6237949 on surface (1).

Surface (1) is not machined and must show cast surface.

The minimum weight of the dry balance shaft must not be lower than: 255 grams.



Appendix A to ROTAX 125 MAX Homologation Documents

125 Mini MAX Evo MY20 No. 111H/RH

125 Junior MAX Evo No. 112H/RH

125 Senior MAX Evo No. 113H/RH

125 DD2 MAX Evo No. 114H/RH

2.13.12-speed gearbox (for 125 MAX DD2 only)

Primary shaft with 19 teeth for 1st gear and 24 teeth for 2nd gear.

Idle gear for 1st gear has to have 81 teeth.

Idle gear for 2nd gear has to have 77 teeth.

2.13.2Crankcase

As supplied by the manufacturer.

No grinding/polishing is permitted in the two main transfer passages as well as in the crank area.

Machining maybe evident in the crankcases in the area identified in the picture.



Appendix A to ROTAX 125 MAX Homologation Documents

125 Mini MAX Evo MY20 No. 111H/RH

125 Junior MAX Evo No. 112H/RH

125 Senior MAX Evo No. 113H/RH

125 DD2 MAX Evo No. 114H/RH

3. TECHNICAL SPECIFICATION OUTSIDE THE ENGINE SEAL FOR ROTAX MAX KART ENGINES

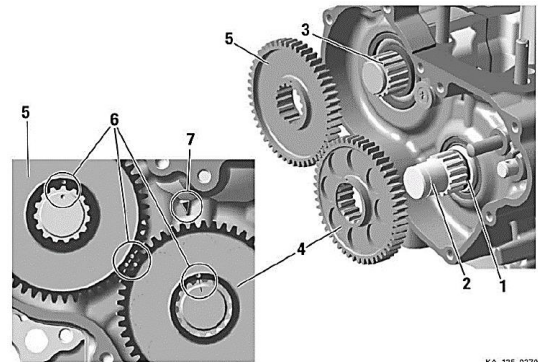
It is the responsibility of the competitor to check his equipment (all components outside the engine seal as mentioned below), to assure that his equipment is conforming to the technical specification below!

3.1 BALANCE DRIVE

125 Mini MAX, 125 Junior MAX and 125 Senior MAX:

Steel balance gears only (minimum width = 8.8 mm) are legal to be used.

Balance gears must be installed and must be aligned according to the instruction in the repair manual.



KA_125_0270

125 MAX DD2:

Balance drive gear must be fitted on crank shaft.

Balance gear must be fitted on primary shaft and must be aligned with the balance drive gear according to the instruction in the repair manual.

Version 1:

Fly weight of balance gear must show cast surface.

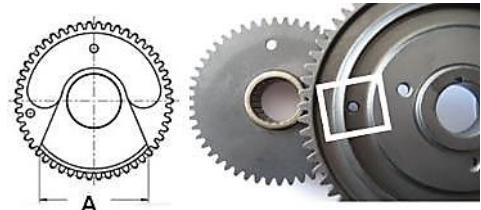


Version 2:

Fly weight of balance gear can show machined surface.

Dimension A (widest part of balance weight) must be either:

	Length	Tolerance
Dimension A	53.0 mm	+0.50 mm
		-0.50 mm
Dimension A	57.0 mm	+0.50 mm
		-0.50 mm



The minimum weight of a dry balance gear including bearing must not be lower than 240 grams.

Appendix A to ROTAX 125 MAX Homologation Documents

125 Mini MAX Evo MY20 No. 111H/RH

125 Junior MAX Evo No. 112H/RH

125 Senior MAX Evo No. 113H/RH

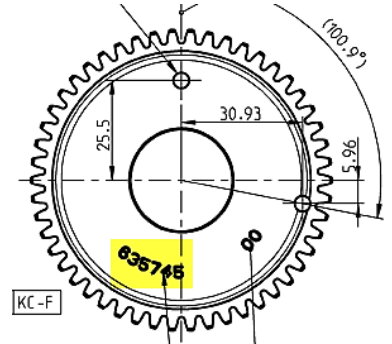
125 DD2 MAX Evo No. 114H/RH

Version 3:

ROTAX part number 635745 (visible on the gear).

Fly weight of balance gear can show machined surface.

The minimum weight of a dry balance gear including bearing must not be lower than 255,0 grams.



3.2 CENTRIFUGAL CLUTCH

3.2.1 Components

125 Mini MAX, 125 Junior MAX and 125 Senior MAX:

Engagement speed of centrifugal clutch at maximum 4,000 rpm (the kart without driver must start to move).

Two versions of clutch (Item 1, with and without holes) are legal to be used.

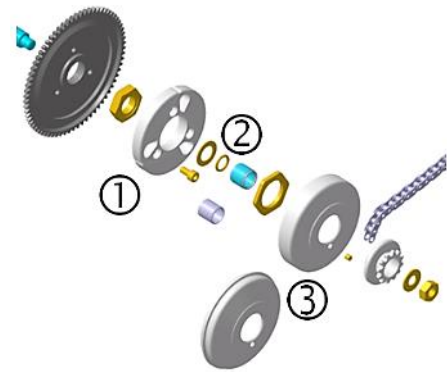
Both versions are marked with the wording "ROTAX".

O-ring (Item 2) must be fitted and must assure an appropriate

sealing between the clutch drum and the needle/plain bearing.

Two versions of clutch drum (Item 3) are legal to be used.

Both versions are marked with the wording "ROTAX".



Signs of emission of grease or substance from the needle/plain bearing into the clutch drum may not exceed the picture beside.

Contact area between clutch and clutch drum must be dry at all times – no lubrication allowed.

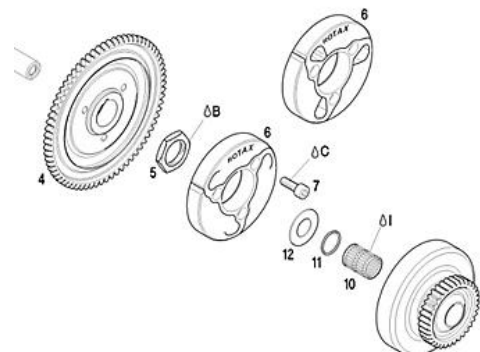


125 MAX DD2:

Engagement speed of centrifugal clutch at maximum 4,000 rpm (the kart without driver must start to move).

Both versions of clutch (item 6, with and without holes) are legal to be used.

O-ring (item 11) must be fitted.



Appendix A to ROTAX 125 MAX Homologation Documents

125 Mini MAX Evo MY20 No. 111H/RH

125 Junior MAX Evo No. 112H/RH

125 Senior MAX Evo No. 113H/RH

125 DD2 MAX Evo No. 114H/RH

3.2.2 Clutch dimensions

Thickness of clutch shoe (A):

All MAX Engines Minimum = 24.10 mm

Measurement must be done at the 3 open ends of the clutch, 5 - 10 mm from the machined groove (all clutch shoes must be completely closed at measurement - no gap).

Height of clutch (B):

125 Mini MAX, 125 Junior MAX, 125 Senior MAX: Minimum = 11.45 mm

125 MAX DD2: Minimum = 14.45 mm

Clutch drum Outer diameter (C):

Minimum = 89.50 mm

Diameter must be measured with a sliding calliper just beside the radius from the shoulder (not at the open end of the clutch drum).

Clutch drum Inner diameter (D):

Maximum = 84.90 mm

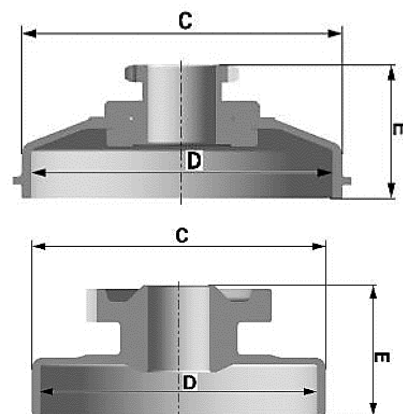
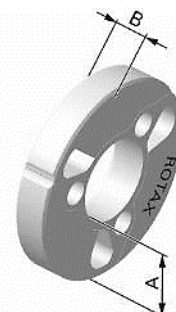
Diameter must be measured with a sliding calliper. The measurement must be done in the middle of the clutch drum (in the contact area between clutch and clutch drum).

Clutch drum Height (E) with sprocket / primary gear

125 Mini MAX, 125 Junior MAX, 125 Senior MAX:

Minimum = 33.90 mm

125 MAX DD2: Minimum = 39.50 mm

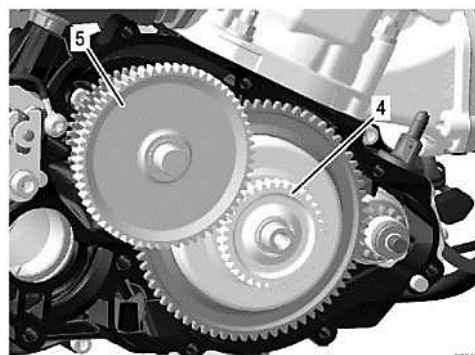


3.3 PRIMARY DRIVE (125 MAX DD2)

Original primary drive gears (4+5) of following gear ratio options must be used only.

Following combinations are legal to be used.

Drive gear	Driven gear
32	65
33	64
34	63
35	62
36	61
37	60
38	59



Note

A specific primary gear ratio may be determined for each race event by a "Bulletin".

Appendix A to ROTAX 125 MAX Homologation Documents

125 Mini MAX Evo MY20 No. 111H/RH

125 Junior MAX Evo No. 112H/RH

125 Senior MAX Evo No. 113H/RH

125 DD2 MAX Evo No. 114H/RH

3.4 GEAR SHIFTING (125 MAX DD2)

The 2-speed gearbox must be operated from the steering wheel via the original Rotax paddle shift system (see illustration).

Cutting of the original aluminium shift paddles (30) or adding of non-original parts is not allowed.

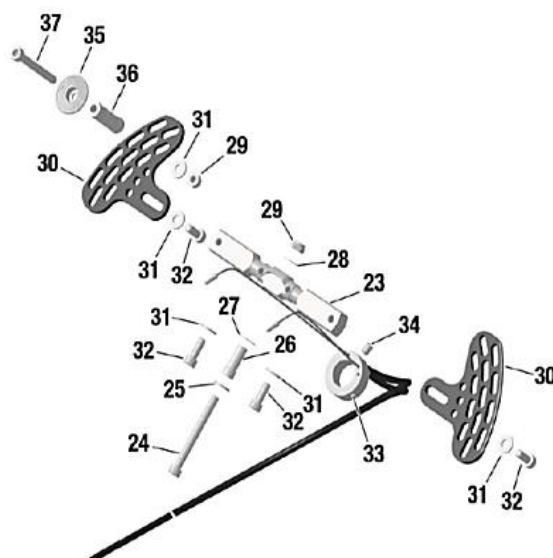
Mounting the shift paddles (30) on the bottom or top side of the whip (23) is an allowed adjustment.

Optional parts (35 - 37) can be mounted on the shift paddle (30) in any Position.

Bending the aluminium shift paddles to align them to the steering wheel is an allowed adjustment.

The whip (23) offers two connections for the cables (23) on each side for short travel or long travel. Both connections are legal to be used.

To change the connections of the cables to the whip (23) from left to right and right to left is an allowed adjustment.



3.5 COMBINATION OF IGNITION SYSTEM, CARBURETTOR AND EXHAUST SYSTEM

The combination of components is limited to following specification per engine type.

Component / MAX Engine	Mini	Junior	Senior	DD2
Ignition system Dell'orto	✓	✓	✓	✓
Exhaust valve, electronically timed	-	-	✓	✓
Carburettor XS	✓	✓	✓	✓
Exhaust system, EVO	✓	✓	✓	✓

Appendix A to ROTAX 125 MAX Homologation Documents

125 Mini MAX Evo MY20 No. 111H/RH

125 Junior MAX Evo No. 112H/RH

125 Senior MAX Evo No. 113H/RH

125 DD2 MAX Evo No. 114H/RH

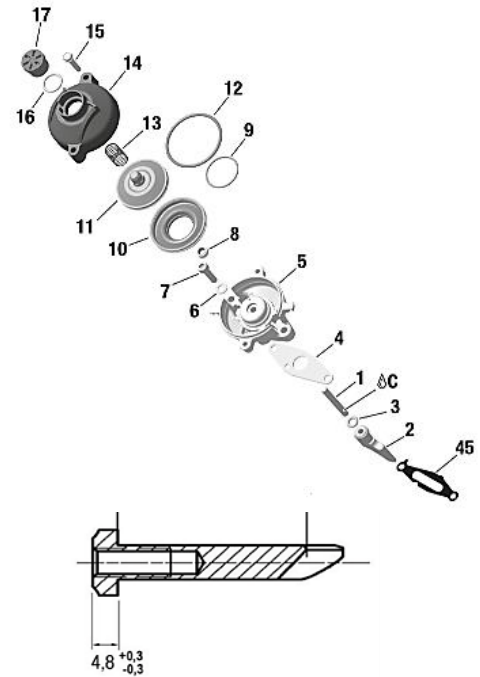
3.6 EXHAUST VALVE (125 SENIOR MAX AND 125 MAX DD2)

System must be used with all components fitted as shown in the illustration.

The cylinder protection plate (45) is mandatory to be installed and must have a minimum thickness of 0.08mm.

It is Possible for the cylinder protection plate (45) to show signs of wear or damage.

Bellow (10) must have green colour.



3.6.1 Exhaust valve

Item 2	Length	Tolerance
Exhaust Valve	36.5 mm	+0.20 mm -0.30 mm
Width of Collar	4.8 mm	+0.30 mm -0.30 mm

3.6.2 Distance of exhaust valve flange at cylinder to piston

Turn crankshaft until the piston just closes the exhaust port. Insert the exhaust valve gauge (Rotax 277030) as shown in the picture until it stops at the flange.

At the contact area between exhaust valve gauge (Rotax 277030) and the flange of the cylinder, a feeler gauge 0.05 mm may not fit between the gauge and the flange.

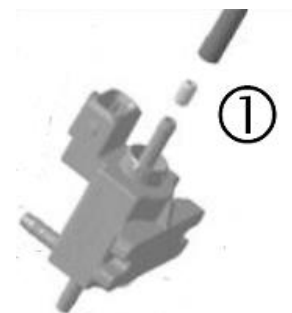
The measurement must be performed outside the exhaust valve contact area indicated in red.



3.6.3 Impulse nozzle:

Fitting an original impulse nozzle (1) into the pressure hose is an allowed adjustment.

The direction of the impulse nozzle inside the pressure hose is free.



Appendix A to ROTAX 125 MAX Homologation Documents

125 Mini MAX Evo MY20 No. 111H/RH

125 Junior MAX Evo No. 112H/RH

125 Senior MAX Evo No. 113H/RH

125 DD2 MAX Evo No. 114H/RH

3.6.4 Exhaust valve settings

The electronic timed exhaust valve offers two different settings (A or B) for the opening of the exhaust valve.

(A)...additional ground cable not connected

(B)...additional ground cable connected

Both settings are legal to be used.



Appendix A to ROTAX 125 MAX Homologation Documents

125 Mini MAX Evo MY20 No. 111H/RH

125 Junior MAX Evo No. 112H/RH

125 Senior MAX Evo No. 113H/RH

125 DD2 MAX Evo No. 114H/RH

3.7 IGNITION SYSTEM

Digital battery ignition system, variable ignition timing, no adjustments Possible.

3.7.1 Spark plug

125 Mini MAX:

Spark plug: NGK GR8DI or NGK GR9DI

Electrode gap (maximum): Feeler gauge 1.20 mm must not fit in between the two electrodes.

125 Junior MAX, 125 Senior MAX:

Spark plug: NGK GR8DI or NGK GR9DI

Electrode gap (maximum): Feeler gauge 1.00 mm must not fit in between the two electrodes.

For the 125 MAX DD2:

Spark plug: NGK GR8DI or NGK GR9DI

Electrode gap (maximum): Feeler gauge 1.00 mm must not fit in between the two electrodes.

3.7.2 Spark plug caps

Two versions of the spark plug cap are legal to be used.

Red, marked NGK or ROTAX



Version 1.



Version 2.

Appendix A to ROTAX 125 MAX Homologation Documents

125 Mini MAX Evo MY20 No. 111H/RH

125 Junior MAX Evo No. 112H/RH

125 Senior MAX Evo No. 113H/RH

125 DD2 MAX Evo No. 114H/RH

3.7.3 Pick-up

The marking of the pick-up must show the following numbers in the first line 029600-0710.

A steel ball (diameter 3-5 mm) placed on circular surface of the sensor must stay in the centre of the circular surface.

Mounting the pick-up to the crankcase with a gasket additional to the original rubber sealing ring of the pick-up, is a legal specification.

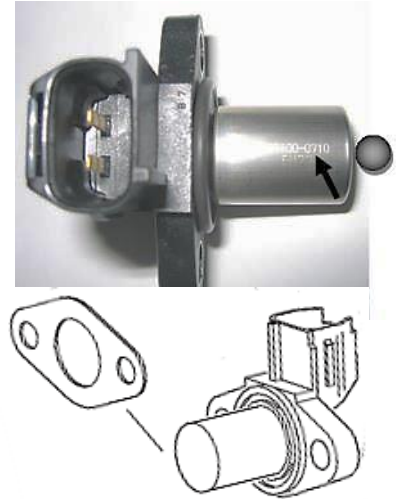
Additional gasket, Rotax 431500, gasket thickness = 0.8 mm
Maximum two gaskets (Rotax 431500) are allowed to be fitted.

Fitting Position of the additional gasket(s):

Crankcase – rubber sealing ring – additional gasket(s) – pick-up.

Note

It is not necessary to install any additional gasket/s with the exception of the rubber sealing ring on crankcases with the machined sealing surface for the pick-up sensor.



3.7.4 Ignition System

Dellorto ignition system is legal to be used only.

Race officials may request at any time that the competitor replaces the electronic box (ECU) with another unit provided by the race administration.

The visual appearance of the ignition coil must be identical with the pictures.

Ignition coil must show 2 pins at the terminal.

The ignition coil is still legal to be used also if one or both stickers are faded or removed.

Minimum length of the high-tension cable of the ignition coil is 210 mm (from outlet of ignition coil to outlet of spark plug connector = visible length of cable).

Ignition coil (same for all engines) with separate electronic box (ECU, specific for every engine).

Ignition coil and ECU (and magnet valve, for 125 Senior MAX and 125 MAX DD2 only) must be fitted with all components according to the illustrations below.



Appendix A to ROTAX 125 MAX Homologation Documents

125 Mini MAX Evo MY20 No. 111H/RH

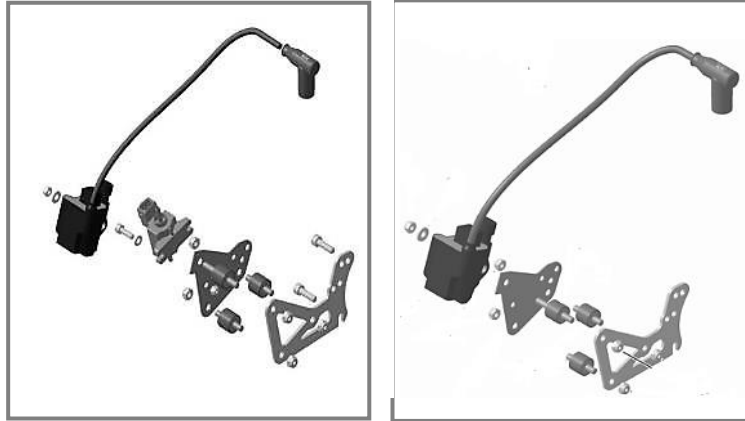
125 Junior MAX Evo No. 112H/RH

125 Senior MAX Evo No. 113H/RH

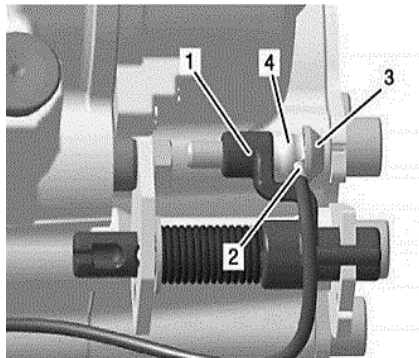
125 DD2 MAX Evo No. 114H/RH

125 Mini MAX, 125 Junior MAX and 125 Senior MAX:

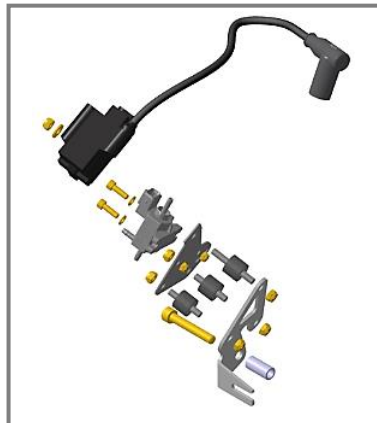
In case the mounting bracket (125 Mini Max, 125 Junior MAX and 125 Senior MAX only) is in conflict with a chassis component, the additions of 2 spacers, one per mounting hole, with a maximum thickness of 20 mm between the mounting bracket and the gearbox cover is allowed.



125 DD2 MAX / Masters: The electrical contact at the shift assembly must be connected, as per the picture below.



125 MAX DD2:



Appendix A to ROTAX 125 MAX Homologation Documents

125 Mini MAX Evo MY20 No. 111H/RH

125 Junior MAX Evo No. 112H/RH

125 Senior MAX Evo No. 113H/RH

125 DD2 MAX Evo No. 114H/RH

3.7.5 ECU

The electronic control unit (ECU) is labelled with stickers and is still legal also if the sticker is unreadable or disappeared.

:

125 Mini MAX: "666818"

125 Junior MAX: "666813"

125 Senior MAX: "666815"

125 MAX DD2: "666816"

The ECU must be checked with the ECU tester (Rotax 276230) according to following procedure.

Disconnect engine cable harness from ECU.

Connect ECU tester cable harness to ECU.

Connect energy cable of ECU tester cable harness with the charging connector of engine cable harness.

At every connection with the battery the software version of the ECU tester will be indicated on the display for approx. 2 seconds.

The software version indicated on the display must be 2V00.

Start the test by pressing the button "✓" on the ECU tester.

After approx. 3 second the type of ECU ○ that is actually tested will be indicated in the second line of the display.

After approx. 30 seconds the result ○ of the test will be indicated in the first line of the display.

The ECU tester must indicate following results:

125 Mini MAX category

○ 666818MINIMAX

○ !! Test OK !!

125 Junior MAX category

○ 666813JNRMAX

○ !! Test OK !!

125 Senior MAX category

○ 666815MAX

○ !! Test OK !!

125 MAX DD2 category

○ 666816MAXDD2

○ !! Test OK !!



Appendix A to ROTAX 125 MAX Homologation Documents

125 Mini MAX Evo MY20 No. 111H/RH

125 Junior MAX Evo No. 112H/RH

125 Senior MAX Evo No. 113H/RH

125 DD2 MAX Evo No. 114H/RH

3.8 BATTERY, BATTERY FIXATION AND WIRING HARNESS

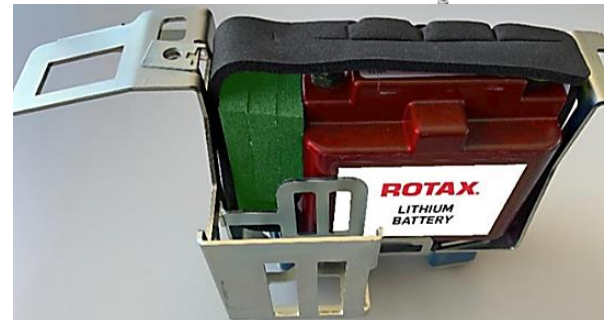
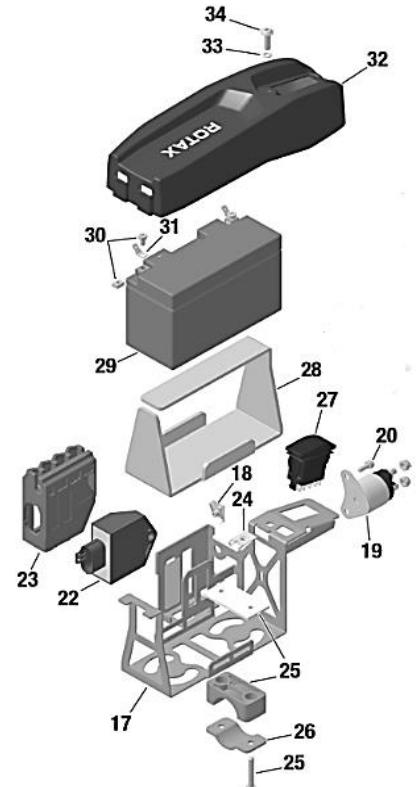
Original batteries with following specification only are legal to be used.

YUASA YT7B-BS (with and without Rotax branding)

ROTAX RX7-12B or RX7-12L or ROTAX LiFePo4 (lithium iron phosphate type)

Battery must be fitted with an original battery clamp and battery cover (according to illustrations) and must be fixed to the chassis with both clamps (all 4 screws). Battery clamp with or without cable support is legal for use.

Battery clamp must be mounted on the left side of the Chassis, next to the seat.



Appendix A to ROTAX 125 MAX Homologation Documents

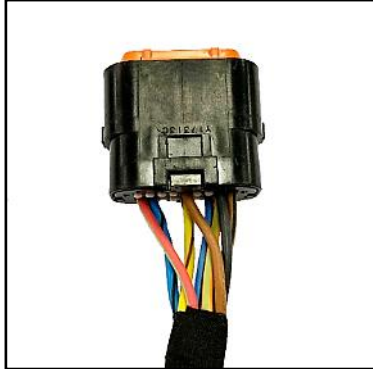



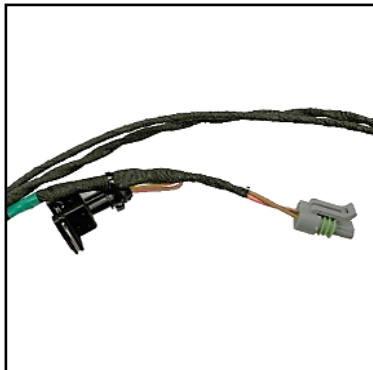
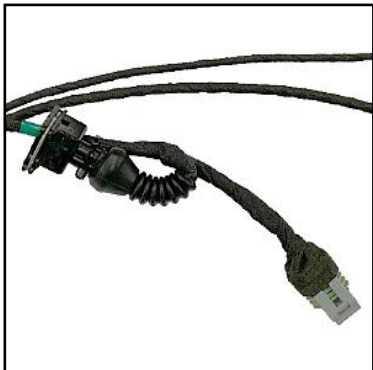
125 Mini MAX Evo MY20 No. 111H/RH

125 Junior MAX Evo No. 112H/RH

125 Senior MAX Evo No. 113H/RH

125 DD2 MAX Evo No. 114H/RH

Two versions of the wire harness are allowed to be used. The differences between the two versions can easily be identified by the key points listed.

	Wiring Harness (666 835)	Wiring Harness (666 836)
ECU Connector		
Charging Connector		
Solenoid Connector		

Appendix A to ROTAX 125 MAX Homologation Documents

125 Mini MAX Evo MY20 No. 111H/RH

125 Junior MAX Evo No. 112H/RH

125 Senior MAX Evo No. 113H/RH

125 DD2 MAX Evo No. 114H/RH

3.9 INTAKE SILENCER

125 Mini MAX, 125 Junior MAX and 125 Senior MAX

Intake silencer with integrated, washable air filter must be used with all parts as shown at the illustration and has to be mounted on the support bracket with two screws (in dry and wet condition).

Intake silencer tube (Pos 2) and carburettor socket (Pos 6) are marked with the wording "ROTAX". Intake silencer case bottom is marked on the inside with "225015".

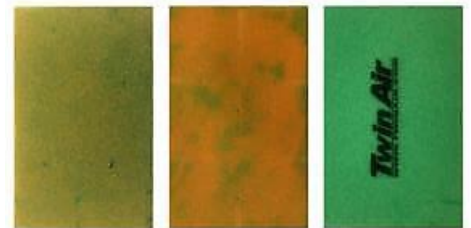
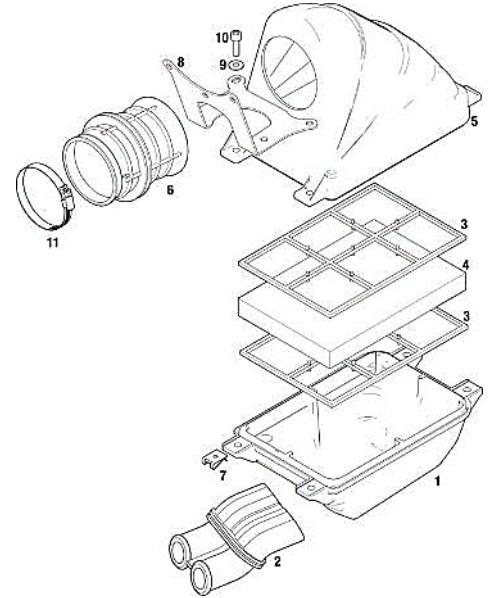
Intake silencer case, top is marked on the inside with "225025".

Two versions of original air filters (Pos4) are legal to be used.

Double layer air filter (green/orange), double layer air filter (green/dark green) marked "Twin Air". Depending on the degree of oil-lubrication colours may alter slightly or the surface becomes stained (see examples).

Air filter (Pos 4) must be installed as shown in the illustration between the two holders (Pos 3) and must cover the complete area of the intake silencer case bottom (Pos 1).

During wet condition, it is not allowed to attach anything to the air box to protect the air inlet from water spray.



Appendix A to ROTAX 125 MAX Homologation Documents

125 Mini MAX Evo MY20 No. 111H/RH

125 Junior MAX Evo No. 112H/RH

125 Senior MAX Evo No. 113H/RH

125 DD2 MAX Evo No. 114H/RH

125 MAX DD2:

Intake silencer with integrated washable air filter as shown in illustration.

The intake silencer case (Pos 1) is marked on the inside with "225012" (4 clips) or "225013" (5 clips).

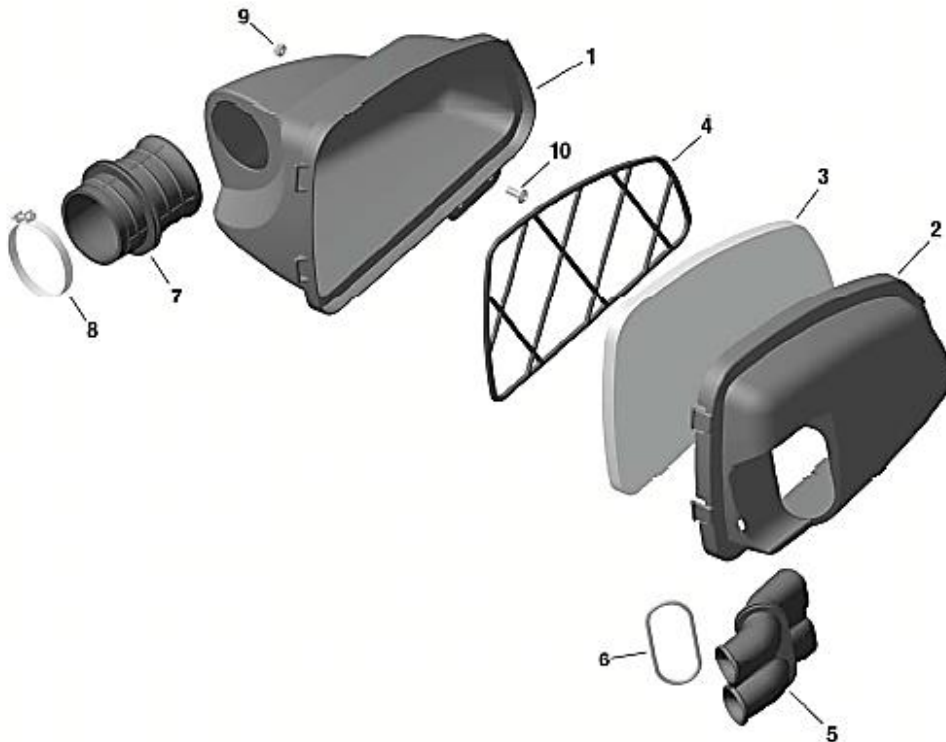
The intake silencer cover (Pos 2) is marked on the inside with "225022" (4 clips) or "225023" (5 clips).

Two versions of air filters (Pos 3) are legal to be used.

Version 1, with integrated steel frame.

Version 2, with separate plastic frame (Pos 4).

The air filter must be assembled between the intake silencer case and the intake silencer cover that the whole area of the intake silencer case is covered.



At intake silencer cover (Pos 2, Rotax 225022), it is mandatory to fit the O-ring (Pos 6) on the intake silencer tube (Pos 5). Intake silencer tube (Pos 5) and carburettor socket (Pos 7) are marked with the wording "ROTAX".

Sealing the top of the intake silencer using adhesive tape is an allowed modification. During wet condition, it is not allowed to attach anything to the air box to protect the air inlet from water spray.

Appendix A to ROTAX 125 MAX Homologation Documents

125 Mini MAX Evo MY20 No. 111H/RH

125 Junior MAX Evo No. 112H/RH

125 Senior MAX Evo No. 113H/RH

125 DD2 MAX Evo No. 114H/RH

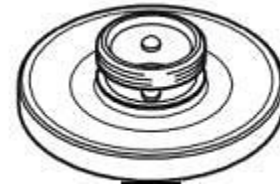
3.10 CARBURETTOR

Dellorto carburettor, housing must show the cast wording "VHSB 34"

Carburettor housing is stamped with "XS".

The complete inlet bore of the carburettor must show cast surface.

Optional carburettor plug screw marked "ROTAX" (ROTAX part no. 261 030) is legal to be used.



The two vent fittings must be connected with the original air vent hose min 155 mm (Rotax 260260). The location of the opening has to be placed at the rear side of the carburettor.

Settings of the carburettor adjustment screws (idle and idle air) are free.

The Position of the jet needle is free.

All jets must be correctly seated and securely fitted at any time (tightened)!

A minimum required size of main jet may be determined for each race event by a "Bulletin".

The complete inlet bore of the carburettor housing must show cast surface.

The venturi hole of the carburettor insert can show signs of a CNC control machining.

Carburettor insert maybe used with 1 or 2 gaskets placed between the insert and the body of the carburettor.

Carburettor can be used with and without fuel sieve in the carburettor housing.

FUEL SIEVE



The height of the two arms of the float lever must be within the slot of the carburettor gauge (Rotax 277400) by their normal weight measured at carburettor housing without gasket in reverse upright Position.



Needle valve assembly stamped "150"

Needle of needle valve marked with diamond symbol "INC" only.



Start jet is stamped with the digits "60".

Appendix A to ROTAX 125 MAX Homologation Documents

125 Mini MAX Evo MY20 No. 111H/RH

125 Junior MAX Evo No. 112H/RH

125 Senior MAX Evo No. 113H/RH

125 DD2 MAX Evo No. 114H/RH

Any Dellorto main jet number even if not offered from Rotax is legal to be used.

Carburettor slide shows digits "45" in casting.

Jet needle must be stamped with "K57".

Two floats marked "4,0 gr" are legal to be used only

Needle jet stamped with "DP267"

	Length	Tolerance
Total Length	51.0 mm	+0.50 mm -0.50 mm

	Length	Tolerance
Bottom section	33.0 mm	+0.45 mm -0.45 mm

	Diameter	Tolerance
Top Bore	2.67 mm	+0.10 mm -0.10 mm



Idle jet

Idle jet has to be stamped with 60.

Plug gauge 0.65 mm may not enter the bore (use jet gauge set Rotax part no. 281 920).



Appendix A to ROTAX 125 MAX Homologation Documents

125 Mini MAX Evo MY20 No. 111H/RH

125 Junior MAX Evo No. 112H/RH

125 Senior MAX Evo No. 113H/RH

125 DD2 MAX Evo No. 114H/RH

Idle emulsion tube

Idle emulsion tube has to be stamped with 45.

Plug gauge 0,50 may not enter the central bore.

(use jet gauge set Rotax part no. 281 920)



Atomizer

Remove atomizer from carburettor body by means of venturi tool set (Rotax part no. 676 034)

	Total Length	Tolerance
Atomizer	23.75 mm	+0.35 mm -0.35 mm



	Cylindrical Length	Tolerance
Atomizer	15.75 mm	+0.25 mm -0.25 mm



	Cutaway Dimension	Tolerance
Atomizer	5.8 mm	+0.30 mm -0.30 mm



Appendix A to ROTAX 125 MAX Homologation Documents

125 Mini MAX Evo MY20 No. 111H/RH

125 Junior MAX Evo No. 112H/RH

125 Senior MAX Evo No. 113H/RH

125 DD2 MAX Evo No. 114H/RH

	Cross bore Dimension	Tolerance
Atomizer	5.0 mm	+0.15 mm -0.15 mm



Carburettor insert must show stamping: "12.5"



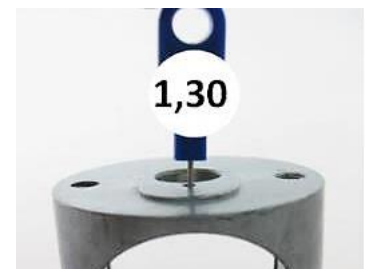
Angular bore of carburettor insert

Plug gauge 0,60 may not enter the bore
(use jet gauge set Rotax part no. 281 920).



Vertical bore of carburettor insert

Plug gauge 1,30 may not enter the bore
(use jet gauge set Rotax part no. 281 920).



Appendix A to ROTAX 125 MAX Homologation Documents

125 Mini MAX Evo MY20 No. 111H/RH

125 Junior MAX Evo No. 112H/RH

125 Senior MAX Evo No. 113H/RH

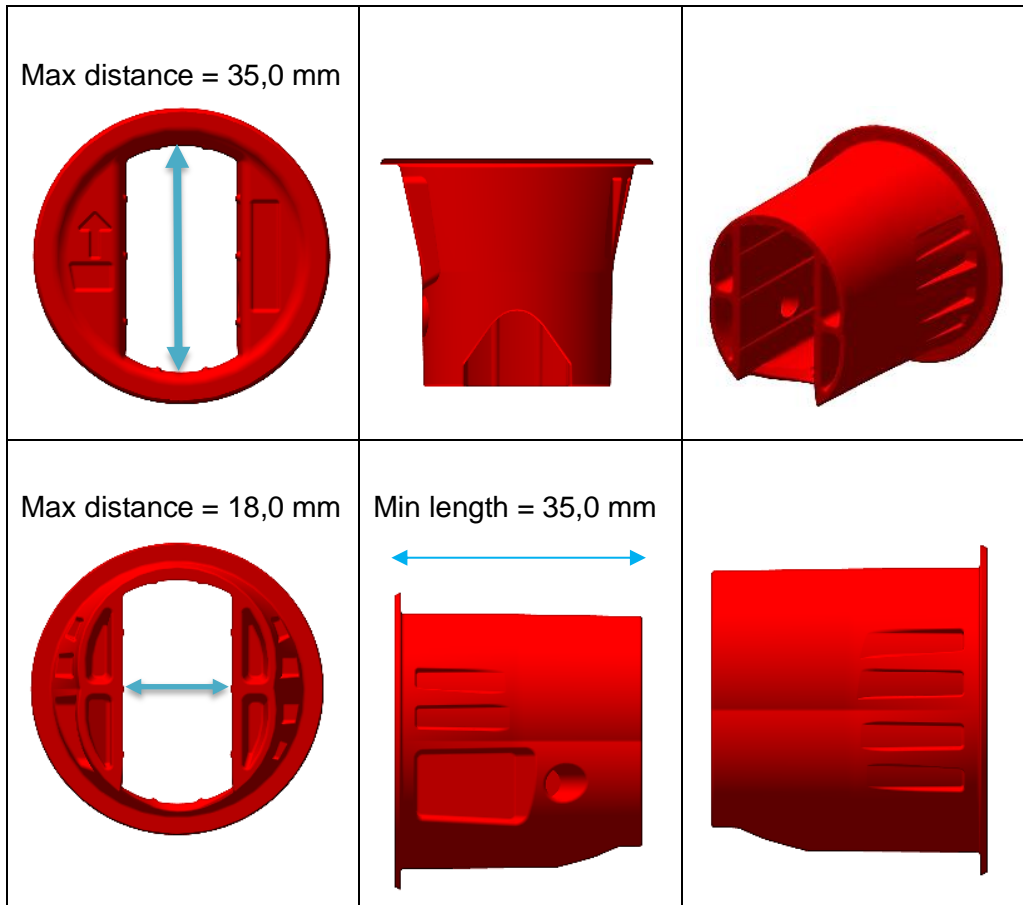
125 DD2 MAX Evo No. 114H/RH

125 Mini MAX:

The throttle body restrictor must be installed in the rear of the carburettor and in the correct orientation at all times (see picture for reference).

ROTAX part number: 267536

No modifications are allowed, the ribbed surface on the inlet is to help ensure dimensions have not been modified.



Appendix A to ROTAX 125 MAX Homologation Documents

125 Mini MAX Evo MY20 No. 111H/RH

125 Junior MAX Evo No. 112H/RH

125 Senior MAX Evo No. 113H/RH

125 DD2 MAX Evo No. 114H/RH

3.11 FUEL PUMP, FUEL FILTER

MIKUNI diaphragm pump, (see picture) must be used and must be mounted as shown in the illustration.



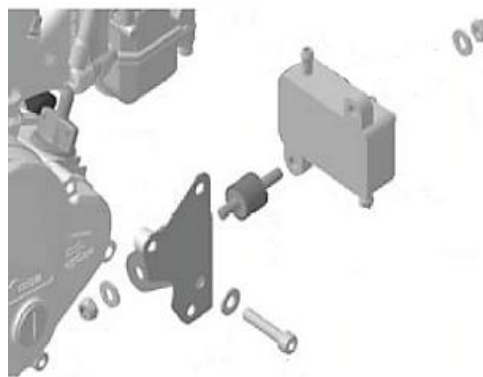
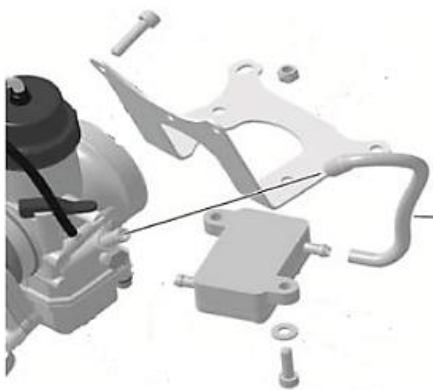
125 Mini MAX, 125 Junior MAX and 125 Senior MAX:

Fuel pump must be mounted on the bottom side of the support bracket for the intake silencer (left illustration).

125 MAX DD2:

Fuel pump must be mounted on the support bracket, marked 651055 or 651056, attached to the clutch cover (right illustration).

Mounting the fuel pump with the two original rubber buffers to the chassis is an allowed option. In this case the fuel pump must be mounted below the inlet centre line of the carburettor.



3.12 FUEL FILTER

Two versions of original fuel filter are legal to be used (see pictures).

A fuel filter is mandatory to be installed. The fuel filter must be mounted between the fuel tank and the fuel pump.

Except the fuel line, the fuel pump and the original fuel filter no additional parts are legal to be mounted between fuel tank and carburettor.



Appendix A to ROTAX 125 MAX Homologation Documents

125 Mini MAX Evo MY20 No. 111H/RH

125 Junior MAX Evo No. 112H/RH

125 Senior MAX Evo No. 113H/RH

125 DD2 MAX Evo No. 114H/RH

3.13 RADIATOR

The removal of the thermostat from the cylinder head cover is an allowed modification.

Radiator must be mounted with all components as shown in the respective illustration.

To apply tape (neutral tape without advertising only) around the radiator is an allowed modification to control the air flow through the radiator.

Tape may not be removed from the radiator during operation on the track.

Any other non-original device to control the air flow through the radiator is prohibited.

The dimensions of the radiators are for reference purposes only.

125 Mini MAX:

Two different versions as shown in the illustrations are legal to be used.

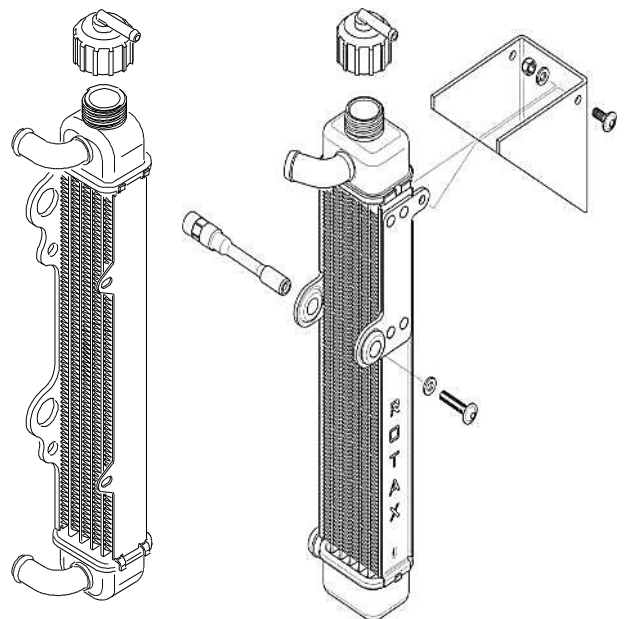
Cooling area:

Height: 280 – 300 mm

Width: 58 – 62 mm

Thickness of radiator: 30 – 34 mm

To remove the original flap is an allowed modification.



125 Junior MAX and 125 Senior MAX:

The radiator must be mounted on the right side of the engine.

Three different versions as shown in the illustrations are legal to be used.

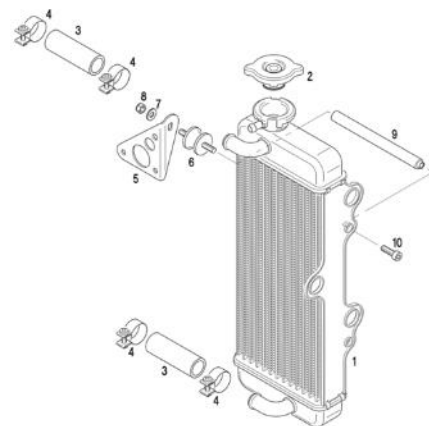
Version 1

Cooling area:

Height: 290 mm

Width: 133 mm

Thickness of radiator: 32 mm



Appendix A to ROTAX 125 MAX Homologation Documents

125 Mini MAX Evo MY20 No. 111H/RH

125 Junior MAX Evo No. 112H/RH

125 Senior MAX Evo No. 113H/RH

125 DD2 MAX Evo No. 114H/RH

Version 2

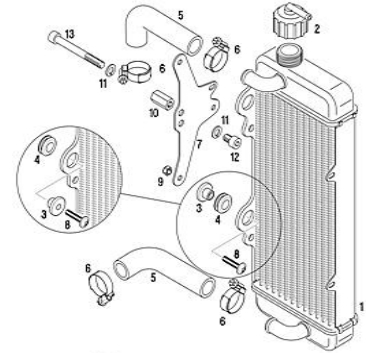
Cooling area:

Height: 290 mm

Width 133 mm

Thickness of radiator: 32 mm

The support plate (Pos 7) enables two different mounting Positions (height) of the radiator. Both mounting Positions are legal to be used.



Version 3

Cooling area:

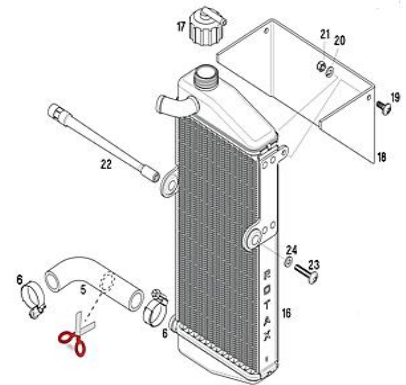
Height: 290 mm

Width: 138 mm

Thickness of radiator: 34 mm

Radiator must be stamped on the side with the wording "ROTAX".

To remove the original flap is an allowed modification.



125 MAX DD2:

The radiator has to be mounted on the left side of the driver seat.

The highest point of the radiator with cap may not be higher than 400 mm above the main tube of the kart chassis.

Two different versions as shown in the illustrations are legal to be used.

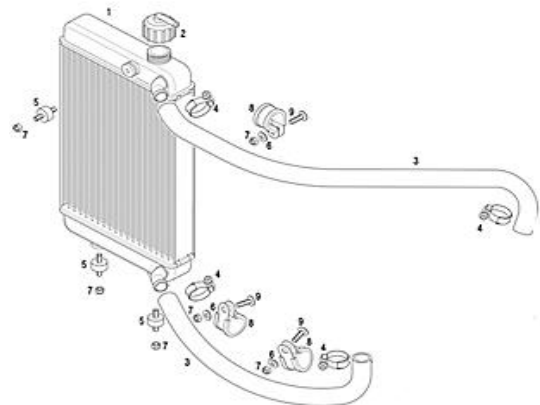
Version 1

Cooling area:

Height: 284 mm

Width: 202 mm

Thickness of radiator: 32 mm



Appendix A to ROTAX 125 MAX Homologation Documents

125 Mini MAX Evo MY20 No. 111H/RH

125 Junior MAX Evo No. 112H/RH

125 Senior MAX Evo No. 113H/RH

125 DD2 MAX Evo No. 114H/RH

Version 2

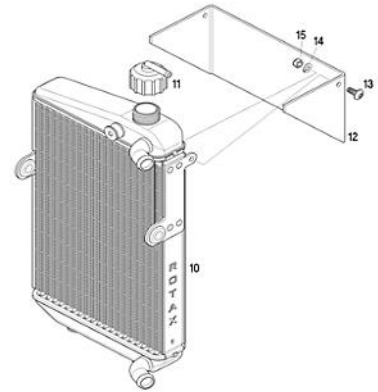
Cooling area:

Height: 290 mm

Width: 196 mm

Thickness of radiator: 34 mm

To remove the original flap is an allowed modification.



3.14 EXHAUST SOCKET (RESTRICTOR)

125 Mini MAX:

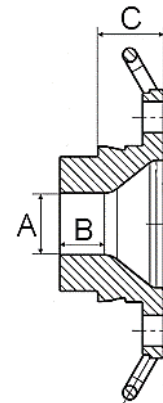
Just exhaust sockets with gasket ring are legal to be used.

Diameter (A) must apply for a length (B) of at least 12 mm.

Maximum inner diameter (A) of exhaust sockets are:

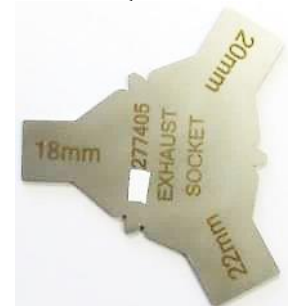
125 Mini MAX: 22,20 mm (Rotax part no. 273 196)

The measurement (C) must be at least 18.5 mm.



The internal profile of the exhaust socket has to be checked with the template, Rotax 277 405.

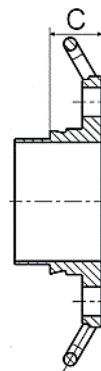
Fit the template (**125 Mini MAX** "22 mm") as far as Possible into the exhaust socket (without gasket, carbon deposits removed). There has to be a constant crack light between the profile of the exhaust socket and the profile of the template.



125 Junior MAX, 125 Senior MAX, 125 MAX DD2:

Only Rotax part no. 273 190 is allowed to be used.

The measurement (C) must be at least 15,5 mm.



Appendix A to ROTAX 125 MAX Homologation Documents

125 Mini MAX Evo MY20 No. 111H/RH

125 Junior MAX Evo No. 112H/RH

125 Senior MAX Evo No. 113H/RH

125 DD2 MAX Evo No. 114H/RH

3.15 EXHAUST SYSTEM

The use of maximum 4 pieces of original Rotax exhaust springs, to fix the exhaust system to the cylinder is allowed. Original exhaust system as supplied by Rotax is mandatory to be used for the relevant class.

Welding at the exhaust system is only allowed in the case of a repair. Only repairs that return the components to its original shape or form are allowed.

Allowed modifications on the original exhaust systems are:

- Replacing the original rivets of the silencer end cap by 4 mm metric screws and corresponding locking nuts. The 3 x fixations (rivets, bolts and locking nuts) must be always secured tight to ensure a sealing between the perforated tube and exhaust system. The perforated tube must be fully inserted into the exhaust system (see top, picture for reference) External protrusion of the outer sealing ring of the perforated tube is forbidden. (Indicated by the red arrow)
- The perforated tube must be always secured tightly to the exhaust at 3 points.
- Replacing the isolating mat (just one original isolating mat may be fitted) inside the silencer and the silencer end cap with perforated tube by original Rotax spares parts.
 - **125 Mini MAX** **ROTAX part number 297985**
 - 125 JNR MAX ROTAX part number 297982
 - 125 SNR MAX ROTAX part number 297982
 - 125 DD2 MAX ROTAX part number 297982



Note

For Post-race technical scrutineering checks on the exhaust isolating mat, only the used weight is to be controlled.

The exhaust isolating mat new size and weight specifications can only be applied for pre-race / event technical checks against new material prior to installation and sealing of the exhaust system, if specified by the event /series organizer.

Appendix A to ROTAX 125 MAX Homologation Documents

125 Mini MAX Evo MY20 No. 111H/RH

125 Junior MAX Evo No. 112H/RH

125 Senior MAX Evo No. 113H/RH

125 DD2 MAX Evo No. 114H/RH

- Welding a socket (in a distance of 50-80 mm from the ball joint) on the top of the exhaust system for measuring the exhaust gas temperature.
- Addition extra elements after the original silencer for further noise reduction.

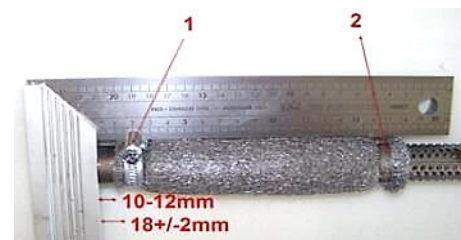
Additional to the standard isolation mat a steel isolation mat (Rotax part no. 297 983) with the square dimension of 165 +10 mm is legal for use in the JNR / SNR and DD2 category's only (not mandatory) to be assembled underneath the standard isolation mat according to the illustration.

Clamp (1) must be fitted at a distance of 18+/-2mm, measured from the end of the tube.

Clamp (2) must be fitted at the end area of the steel isolation mat.

The measurement 10-12 mm from the end of the perforated tube to the beginning of the steel isolating mat is a specification for assembly purpose only!

Both clamps (1 and 2) are mandatory to be fitted and tightened.



Appendix A to ROTAX 125 MAX Homologation Documents

125 Mini MAX Evo MY20 No. 111H/RH

125 Junior MAX Evo No. 112H/RH

125 Senior MAX Evo No. 113H/RH

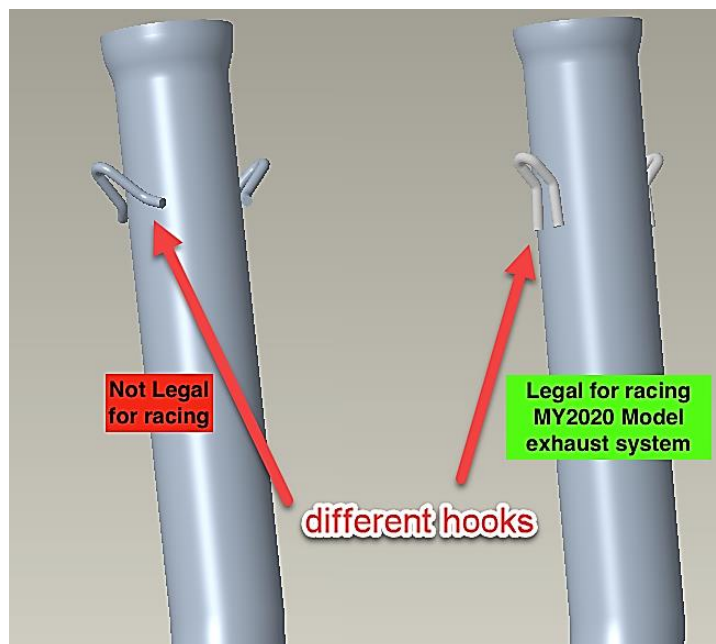
125 DD2 MAX Evo No. 114H/RH

Note

The only exhaust system allowed for racing in the 125 Mini MAX category is the MY2020 version.

The exhaust has 3 clear visual differences to identify the MY2020 version.

1. Exhaust hooks
2. Connecting socket / ball joint connect at manifold
3. Wall thickness of the exhaust system is 1.0mm (older exhaust system which is not allowed for racing has a wall thickness of 1.5mm)



Appendix A to ROTAX 125 MAX Homologation Documents

125 Mini MAX Evo MY20 No. 111H/RH

125 Junior MAX Evo No. 112H/RH

125 Senior MAX Evo No. 113H/RH

125 DD2 MAX Evo No. 114H/RH

3.16 125 MINI MAX

A specific Exhaust system has to be used for the 125 Mini MAX engine.

ROTAX Part number 273137

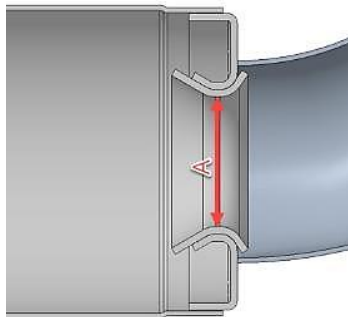
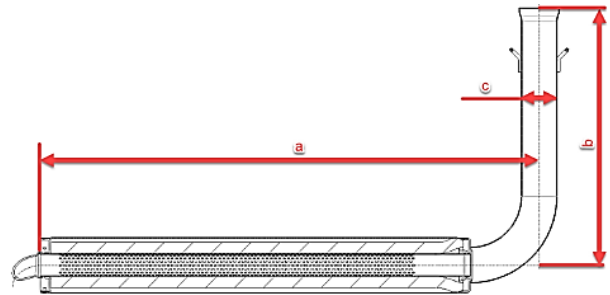
The Exhaust external body is a common component to Micro MAX but with alternative internal components and is not permitted for use on the 125 Mini MAX engine.

The silencer must be mounted in a Position where the direction of the 90° elbow outlet (direction of the hot exhaust gasses) does not harm any component of the chassis.

The exhaust must be mounted and secured in such a way to ensure a full sealing around the exhaust socket and the gasket ring.

The measurements in the diagram below are as follows:

- 580 mm +/- 5mm
- 299 mm +/- 5mm
- 42 mm +/- 3mm



A steel ball with 28.0mm diameter **must not** pass through Section "A" and

a steel ball with 26.0mm diameter must be able pass through Section "A" in the below diagram from the inlet and through the 90-degree elbow completely.

(Internal exhaust components must first be removed)

The inner measurement of the exhaust system silencer end (a) in the above diagram must be a maximum of 63.0 mm.

Note

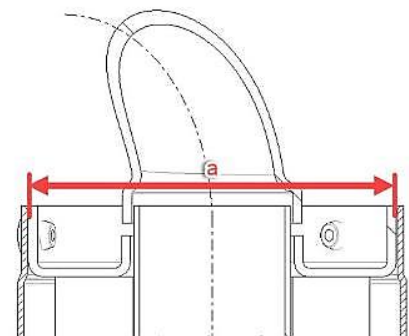
This is not a measurement of the perforated tube

The Exhaust must be installed firmly to the chassis using a rigid mount/s.

The Exhaust must be mounted to the rigid mount/s using 2 ROTAX silent blocks. (Part 660920 and or 260657 allowed).

The deflection of the 2 silent blocks is the only Exhaust movement allowed.

The Exhaust must be mounted in a neutral Position with no stress on the 2 silent blocks.



Appendix A to ROTAX 125 MAX Homologation Documents

125 Mini MAX Evo MY20 No. 111H/RH

125 Junior MAX Evo No. 112H/RH

125 Senior MAX Evo No. 113H/RH

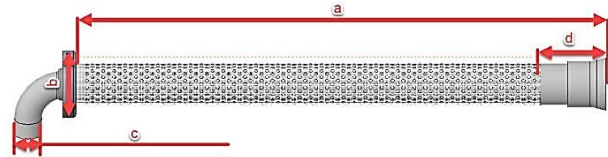
125 DD2 MAX Evo No. 114H/RH

125 Mini MAX Perforated tube

ROTAX Part number 273211

The measurements in the diagram below are as follows:

- at least 482mm
- minimum outside diameter of 61 mm
- maximum outside diameter of 26 mm
- at least 63 mm



Note

Mini MAX perforated tube has a stamped ID marker "X" visible externally.

The only legal Isolation matting for 125 Mini MAX is:

ROTAX part number 297985	Measurement	Tolerance
New size minimum	490 x 180 mm	+10 mm
		-10 mm
New weight	141 Gram	+22 Gram
		-22 Gram
Used weight (old)	230 Gram	+120 Gram
		-120 Gram

Appendix A to ROTAX 125 MAX Homologation Documents

125 Mini MAX Evo MY20 No. 111H/RH

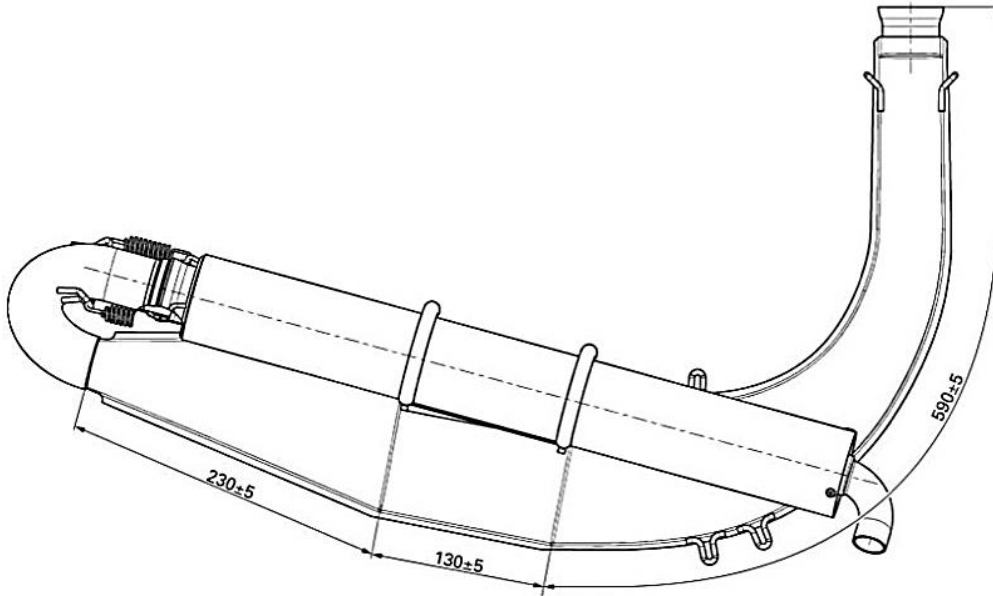
125 Junior MAX Evo No. 112H/RH

125 Senior MAX Evo No. 113H/RH

125 DD2 MAX Evo No. 114H/RH

3.17 JUNIOR MAX AND 125 SENIOR MAX

The silencer must be mounted in a Position where the direction of the 90° elbow outlet (direction of the hot exhaust gasses) does not harm any component of the chassis.



The only legal Isolation matting for 125 Junior and 125 Senior MAX is:

ROTAX part number 297982	Measurement	Tolerance
New size minimum	480 x 270 mm	+10 mm
		-10 mm
New weight	207 Gram	+31 Gram
		-31 Gram
Used weight (old)	245 Gram	+105 Gram
		-105 Gram

Appendix A to ROTAX 125 MAX Homologation Documents

125 Mini MAX Evo MY20 No. 111H/RH

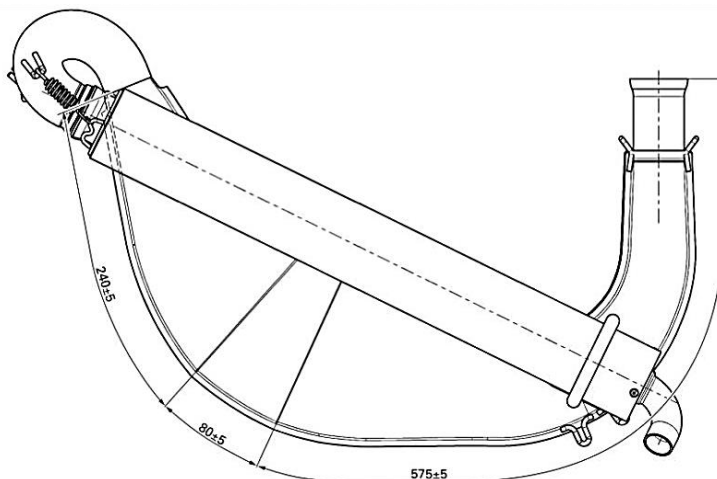
125 Junior MAX Evo No. 112H/RH

125 Senior MAX Evo No. 113H/RH

125 DD2 MAX Evo No. 114H/RH

3.18 125 DD2 MAX

The silencer must be mounted in a Position where the direction of the 90° elbow outlet (direction of the hot exhaust gasses) does not harm any component of the chassis.



Dimensions to be checked	Length	Tolerance
Length of inlet cone	575 mm	+5 mm -5 mm
Length of cylindrical part of exhaust pipe	80 mm	+5 mm -5 mm
Length of end cone	240 mm	+5 mm -5 mm

The only legal Isolation matting for 125 DD2 MAX is:

ROTAX part number 297982	Measurement	Tolerance
New size minimum	480 x 270 mm	+10 mm -10 mm
New weight	207 Gram	+31 Gram -31 Gram
Used weight (old)	245 Gram	+105 Gram -105 Gram

Appendix A to ROTAX 125 MAX Homologation Documents

125 Mini MAX Evo MY20 No. 111H/RH

125 Junior MAX Evo No. 112H/RH

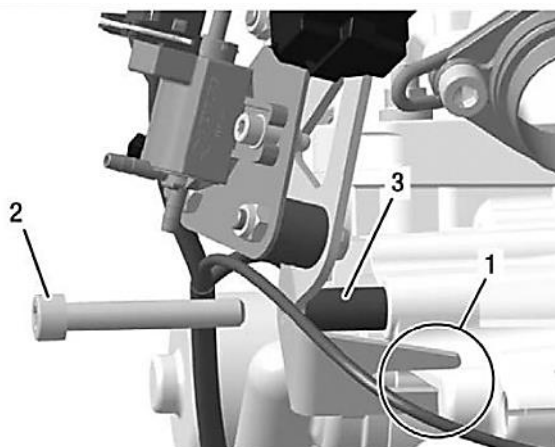
125 Senior MAX Evo No. 113H/RH

125 DD2 MAX Evo No. 114H/RH

3.19 ADDITIONAL SEAT SUPPORT (125 MAX DD2)

On the engine side, maximum one additional seat support can be used.

The additional seat support must be fastened to the engine using the Allen screw (2). The distance sleeve (3) may be removed for this purpose.



----- END OF TECHNICAL REGULATION -----